

CENTRIFUGAL MONOBLOCK PUMPS - 50Hz

DIN 24255* / EN 733*





C.R.I. PUMPS

Pumping trust. Worldwide.

T H E B E G I N N I N G

of C.R.I., way back in 1961, was a resolute attempt to produce a few irrigation equipments using the limited facilities of an in-house foundry. Eventually the founder's dream was coming true as the small production unit he started kept growing rapidly. Now, after more than five eventful decades, it is an enormous, widely reputed organization, which produces more than 2300 varieties of perfectly engineered pumps and motors and sells its products in numerous countries spread across 6 continents.

C . R . I . I S O N E A M O N G

the few pioneers in the world to produce 100% stainless steel submersible pumps. Having achieved a record production capacity of over 2 million pumps per annum, today C.R.I. is rubbing its shoulders with the best brands in the world, with advanced technology and safety standards as its hallmarks.

T H E I N F R A S T R U C T U R E

of C.R.I. is pretty comprehensive with state-of-the-art machineries and high potential in-house R&D recognised by the ministry of science and technology, Govt. of India - all within its own covered area of 300,000 square metres. The production environment is accredited with ISO 9001, and the products are CE, IEC, TSE & ISI certified. The R&D team always stays in tune with the changing scenario and seldom fails in coming up with outstanding solutions every time.

N E E D L E S S T O S A Y ,

behind this legendary growth lies the untiring, innovative, enthusiastic and dedicated team work. and, of course, a flawlessly maintained value system too. The name C.R.I. itself encapsulates the company's ethos: " Commitment, Reliability, Innovation".



CONTENT

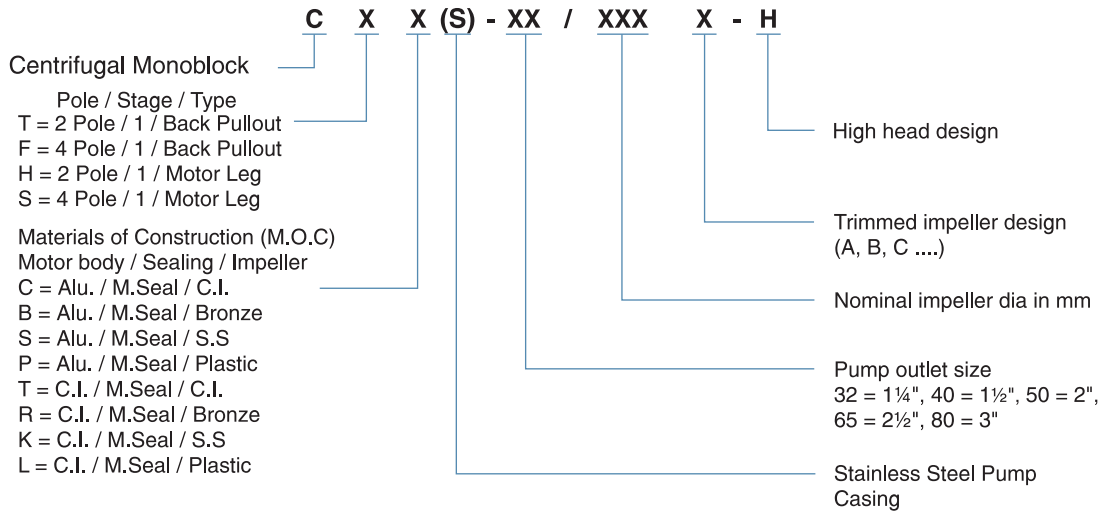
S. No.	INDEX	Page No.
1	Model Identification Code(MIC)	4
2	Centrifugal Pumps - CT Series	5
3	Pump and Motor Specifications & Operating Limits	5
4	Exploded View, Part Details & Material of Construction	6
5	Performance Table	7-8
6	Performance Curve	9-28
7	General Arrangement Drawing(GAD), Dimensions and Weight	29-31
8	Centrifugal Pumps - CTSS Series	32
9	Pump and Motor Specifications, Pump Operating Limits & Material of construction	33
10	Performance Curve and Table	34-36
11	General Arrangement Drawing (GAD), Dimensions and Weight	37

Centrifugal Pumps

DIN Standard

CT SERIES

Model Identification Code (MIC)



Sample Description:

CTC-50/125B : 2.2KW, 21/2"X2" CENTRIFUGAL PUMP

Centrifugal Pumps

DIN Standard

CT SERIES



Description

C.R.I. CT- Series pumps are horizontal single stage centrifugal monoblock type supplied with radial flow impeller for higher head and flow requirements. These pumps are rigid in construction and compact design. Centrifugal pumps are powered by a totally enclosed fan cooled premium efficiency motor. Monoblock construction eliminates loss of energy while transmitting the energy from the motor to pump. These pumps are available in three phase power supply. The back pull out design facilitates ease of maintenance.

Features

- Wide hydraulic ranges
- Galvanized counter flange with bolts, nuts and gaskets
- Back pull out design
- Offered with premium efficiency motor
- Mounting and duties as per DIN 24255 / EN 733*

Applications

- Agriculture
- Water transfer
- Cooling systems
- Washing systems
- Pressure Boosting systems
- Utility water supply in industries and commercial buildings
- HVAC system
- Firefighting system

Pump & Motor Specifications

Power Range (kW)	0.75 kW to 90 kW
Speed	2900 rpm
Degree of Protection	IP 55
Class of insulation	"F"
Motor Efficiency Class	IE2
Versions	Three Phase, 220V-380V, 50Hz A.C Supply
Type of Duty	S1 (Continuous)
Direction of Rotation	Clock wise viewed from driving end
Method of Starting	DOL & SD
Suction & Delivery Size (mm)	50 x 32 65 x 40 65 x 50 80 x 65 100 x 80

Pump Operating Limit

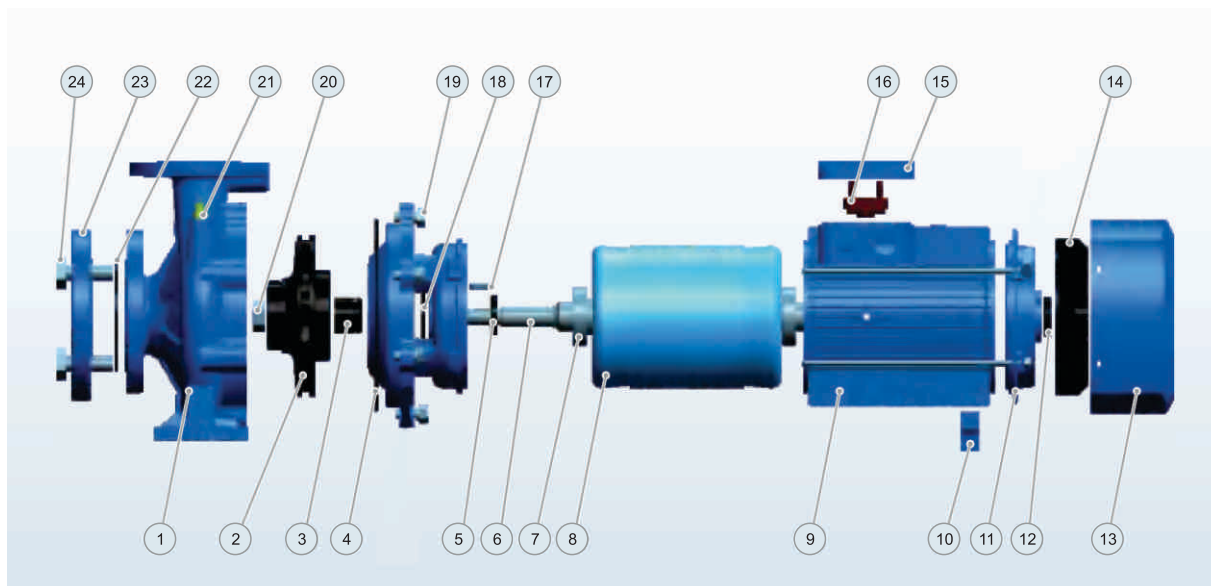
Flow Range	0 - 210 m ³ /h
Head Range	9-151 m
Maximum Suction lift	Refer individual curve to calculate suction head considering NPSHr & NPSHa
Operating Temperature	-10°C to 90°C
Maximum Ambient Temperature	50°C

Centrifugal Pumps

DIN Standard

CT SERIES

Exploded View



Part No.	Part Name	MOC
1	Pump Casing	Cast Iron
2	Impeller	Cast Iron
3	Mechanical Seal	Sic/carbon / SS 304
4	O' Ring	Rubber
5	Oil Seal	Rubber
6	Shaft	Chrome Steel
7	Ball Bearing	Chrome Steel
8	Wound Stator	Silicon Steel/copper
9	Motor Case	Aluminium(upto 22 kW) / Cast Iron (above 22 kW)
10	Support Foot	Plastic
11	Back Cover	Cast Iron
12	Oil Seal	Rubber

Part No.	Part Name	MOC
13	Fan Cover	Aluminium
14	Fan	Plastic
15	Terminal Box	Aluminium
16	Terminal Board	Plastic
17	Impeller Key	Carbon Steel
18	Water Deflector	Rubber
19	Casing Bolt	Carbon Steel
20	Impeller Nut	Galvanized Steel
21	Air Vent Valve	Brass
22	Suction Flange Gasket	Rubber
23	Counter/companion Flange	Galvanized Cast Iron
24	Flange Bolt	Galvanized Steel

Material of Construction

PART NAME	EUROPEAN	DIN	USA
Pump Casing	EN-GJL-250	GG25	ASTM A48 Class 35
Casing Cover, Back Cover & Stuffing Box	EN-GJL-250	GG25	ASTM A48 Class 35
Impeller	EN-GJL-250	GG25	ASTM A48 Class 35
Shaft Seal	Mechanical Seal (Silicon Carbide & Carbon)	Mechanical Seal (Silicon Carbide & Carbon)	Mechanical Seal (Silicon Carbide & Carbon)
O' Ring & Oil Seal	Rubber	Rubber	Rubber
Shaft	EN8	CK45 (1.1191)	ASTM A29 AISI 1045
Motor Body	Aluminium - ADC-12	Aluminium - ADC-12	Aluminium - ASTM A383 ADC12
Terminal Box	Aluminium - ADC-12	Aluminium - ADC-12	Aluminium - ASTM A383 ADC12

Centrifugal Pumps

DIN Standard

CT SERIES

Performance Chart

Pump Model	Suc. x Del.	Power		Current (Amps)	Voltage	Flow (Q)															
		kW	HP			l/min	0	100	150	250	300	400	450	600	700	800	900	1200	1400	1500	
							m³/h	0	6	9	15	18	24	27	36	42	48	54	72	84	90
CTC-32/125A	50x32	0.75	1	3.1/1.8	220/380	17.5	16.7	15	12	9	-	-									
CTC-32/125	50x32	1.1	1.5	4.4/2.5	220/380	22	21	19.7	16.5	14.5	9	-									
CTC-32/160B	50x32	1.5	2	6/3.5	220/380	25.4	23.7	22.5	18.5	15.8	-	-									
CTC-32/160A	50x32	2.2	3	8.2/4.7	220/380	31	29.6	28.5	24.5	22	15	-									
CTC-32/160	50x32	3	4	11.1/6.4	220/380	35	34.3	32.5	28	25.5	19	15									
CTC-32/200A	50x32	3	4	11.1/6.4	220/380	44.2	42	39.8	35.2	32.2	24.6	19.8									
CTC-32/200	50x32	4	5.5	8.2/4.7	380/660	54.5	52	50	45.5	42.3	35	30.3									
CTC-32/250C	50x32	5.5	7.5	11.1/6.4	380/660	60	59.5	59	55	50.2	34.5	-									
CTC-32/250B	50x32	7.5	10	15/8.7	380/660	69.5	69	68.5	66	63	53	-									
CTC-32/250A	50x32	9.2	12.5	19/10.9	380/660	75	75	74.5	72	69	59	-									
CTC-32/250A-H	50x32	11	15	21.8/12.6	380/660	90	89.5	88	82	78	66	-									
CTC-32/250	50x32	15	20	29.4/17	380/660	97	96.5	96	90	86	73	-									
CTC-40/125B	65x40	1.1	1.5	4.4/2.5	220/380	14.7				13	11.5	10.1	5.8	-	-						
CTC-40/125A	65x40	1.5	2	6/3.5	220/380	18.1				17	15	13.9	10	6	-						
CTC-40/125	65x40	2.2	3	8.2/4.7	220/380	24.5				23.2	21.5	20.2	16	13	8.3						
CTC-40/160A	65x40	3	4	11.1/6.4	220/380	31.8				29.5	27.5	26.3	21.5	17.5	-						
CTC-40/160	65x40	4	5.5	8.2/4.7	380/660	38				36	34	33	28.5	25	20.1						
CTC-40/200A	65x40	5.5	7.5	11.1/6.4	380/660	46				43.8	41.3	40.1	35	30	-						
CTC-40/200	65x40	7.5	10	15/8.7	380/660	57				53.6	51.5	50	45	41	36.5						
CTC-40/250C	65x40	9.2	12.5	19/10.9	380/660	64				59	56.5	55	49.5	45	39.8						
CTC-40/250B	65x40	11	15	21.8/12.6	380/660	72				67.5	65	63.5	57.5	52.2	47						
CTC-40/250A	65x40	15	20	29.4/17	380/660	84.5				79.3	77.3	75.2	70	66	61						
CTC-40/250	65x40	18.5	25	35.5/20.5	380/660	90				85.5	82.8	80.7	75.8	70.5	66.5						
CTC-50/125B	65x50	2.2	3	8.2/4.7	220/380	17							15.4	14	12.8	11.5	6.5	-			
CTC-50/125A	65x50	3	4	11.1/6.4	220/380	20							18.8	18	17	15.6	11	-			
CTC-50/125	65x50	4	5.5	8.2/4.7	380/660	24							23.1	23	21.5	20.3	15.8	11.8			
CTC-50/160A	65x50	5.5	7.5	11.1/6.4	380/660	32							30.6	30	28	26.6	20.5	14.8			
CTC-50/160	65x50	7.5	10	15/8.7	380/660	40							38	37	36	34.4	29	24			
CTC-50/200B	65x50	9.2	12.5	19/10.9	380/660	50.5							46.8	45	43	40.9	32.5	26.7			
CTC-50/200A	65x50	11	15	21.8/12.6	380/660	57.5							53.5	52	50	47.5	40	34			
CTC-50/200	65x50	15	20	29.4/17	380/660	62							58	56.5	54.5	52	44.5	39			
CTC-50/250B	65x50	15	20	29.4/17	380/660	68.5							64	63	61.5	59	50	41			
CTC-50/250A	65x50	18.5	25	35.5/20.5	380/660	79							75.8	74.8	74	71.5	63.5	55.5			
CTC-50/250	65x50	22	30	42.2/24.4	380/660	89.5							86	85.3	84	81.5	73.5	63.5			

In view of continuous developments the information / performance / descriptions / specifications / illustrations are subject to change without notice

Centrifugal Pumps

DIN Standard

CT SERIES

Performance Chart

Pump Model	Suc. x Del.	Power		Current (Amps)	Voltage	Flow (Q)									
		kW	HP			I/min	0	800	900	1200	1400	1500	1800	2000	2300
						m³/h	0	48	54	72	84	90	108	120	138
CTC-65/125B	80x65	4	5.5	8.2/4.7	380/660	Head (m)	19	17.3	16.8	14.5	13	11.8	-	-	-
CTC-65/125A	80x65	5.5	7.5	11.1/6.4	380/660		23	21.3	20.9	19	17.5	16.7	13.7	-	-
CTC-65/125	80x65	7.5	10	15/8.7	380/660		27	26	25.6	24.5	23	22.5	20	18	-
CTC-65/160B	80x65	9.2	12.5	19/10.9	380/660		33		31.5	30	28	27.1	24	21.5	-
CTC-65/160A	80x65	11	15	21.8/12.6	380/660		36		34.5	33	31.5	30.8	28	25.5	-
CTC-65/160	80x65	15	20	29.4/17	380/660		42		41	40	38.5	37.8	35	33	29.5
CTC-65/200B	80x65	15	20	29.4/17	380/660		45		45.5	43	41	40.2	36.5	34	-
CTC-65/200A	80x65	18.5	25	35.5/20.5	380/660		52		52.3	51	49	48.2	44.5	42	-
CTC-65/200	80x65	22	30	42.2/24.4	380/660		59		59.5	58	56	55	52	49.5	44.5
CTC-65/250B	80x65	22	30	42.2/24.4	380/660		64.8		64.7	62	60	58.5	53	50	-
CTC-65/250A	80x65	30	40	56.9/32.9	380/660		80		79.8	77.5	75.5	74.5	70	66	58
CTC-65/250	80x65	37	50	69.8/40.3	380/660		92		90.5	88.5	87	85	80.5	78	68

Pump Model	Suc. x Del.	Power		Current (Amps)	Voltage	Flow (Q)								
		kW	HP			I/min	0	1000	1500	2000	2400	3000	3333	3500
						m³/h	0	60	90	120	144	180	200	210
CTC-65/315C	80x65	45	60	83.9/48.4	380/660	Head (m)	102	98	94.5	90	83	-	-	-
CTC-65/315B	80x65	55	75	103/59.5	380/660		122	120	114.5	110	100	76	-	-
CTC-65/315A	80x65	75	100	140/80.8	380/660		141	141	134.5	120	120	96	78	65.5
CTC-65/315	80x65	93	125	167/96.4	380/660		151	150	144.5	130	130	10	88	75.5
CTC-80/125B	100x80	4	5.5	8.2/4.7	380/660		17	15	12.3	-	-	-	-	-
CTC-80/125A	100x80	5.5	7.5	11.1/6.4	380/660		21	19.6	17.4	9.5	9.5	-	-	-
CTC-80/125	100x80	7.5	10	15/8.7	380/660		26	24.8	23	16.5	16.5	-	-	-
CTC-80/160C	100x80	11	15	21.8/12.6	380/660		28	27	27.3	21.1	21.1	16	16	-
CTC-80/160B	100x80	15	20	29.4/17	380/660		34	32.6	32.5	27	27	22.1	22.1	18.5
CTC-80/160A	100x80	18.5	25	35.5/20.5	380/660		39	38.5	38	33.6	33.6	28.8	28.8	25.3
CTC-80/160	100x80	22	30	42.2/24.4	380/660		44	43.5	43	38.6	38.6	33.8	33.8	30.3
CTC-80/200A	100x80	22	30	42.2/24.4	380/660		48	47.7	47.5	39.2	39.2	32.5	32.5	27.2
CTC-80/200	100x80	30	40	56.9/32.9	380/660		60	59.7	59.5	53.1	53.1	47	47	42.7

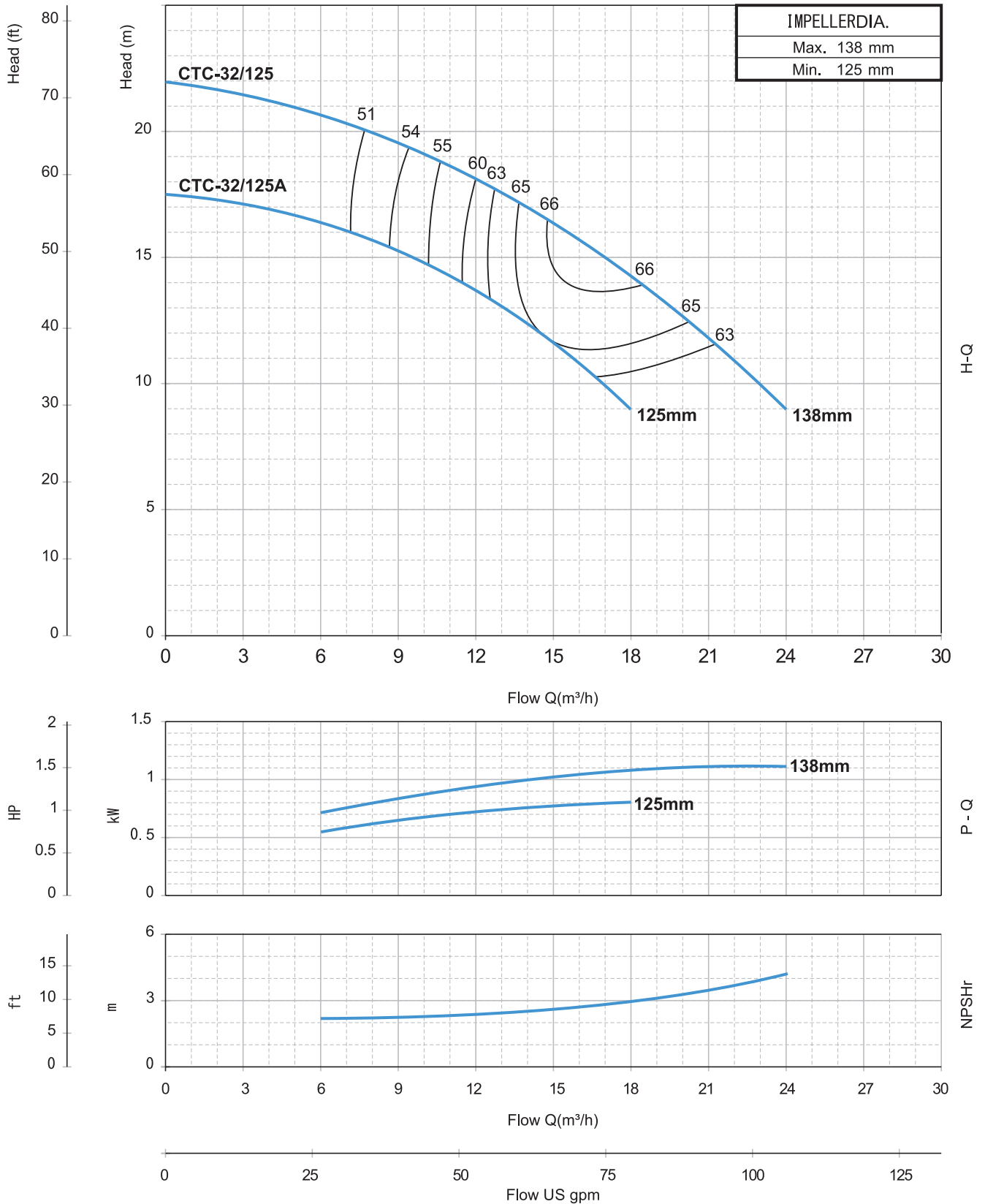
Centrifugal Pumps

DIN Standard

CT SERIES

Performance Curves

2900rpm



Curve tolerance accordance to ISO 9906, Grade 3B. In view of continuous developments the information / performance / descriptions / specifications / illustrations are subject to change without notice

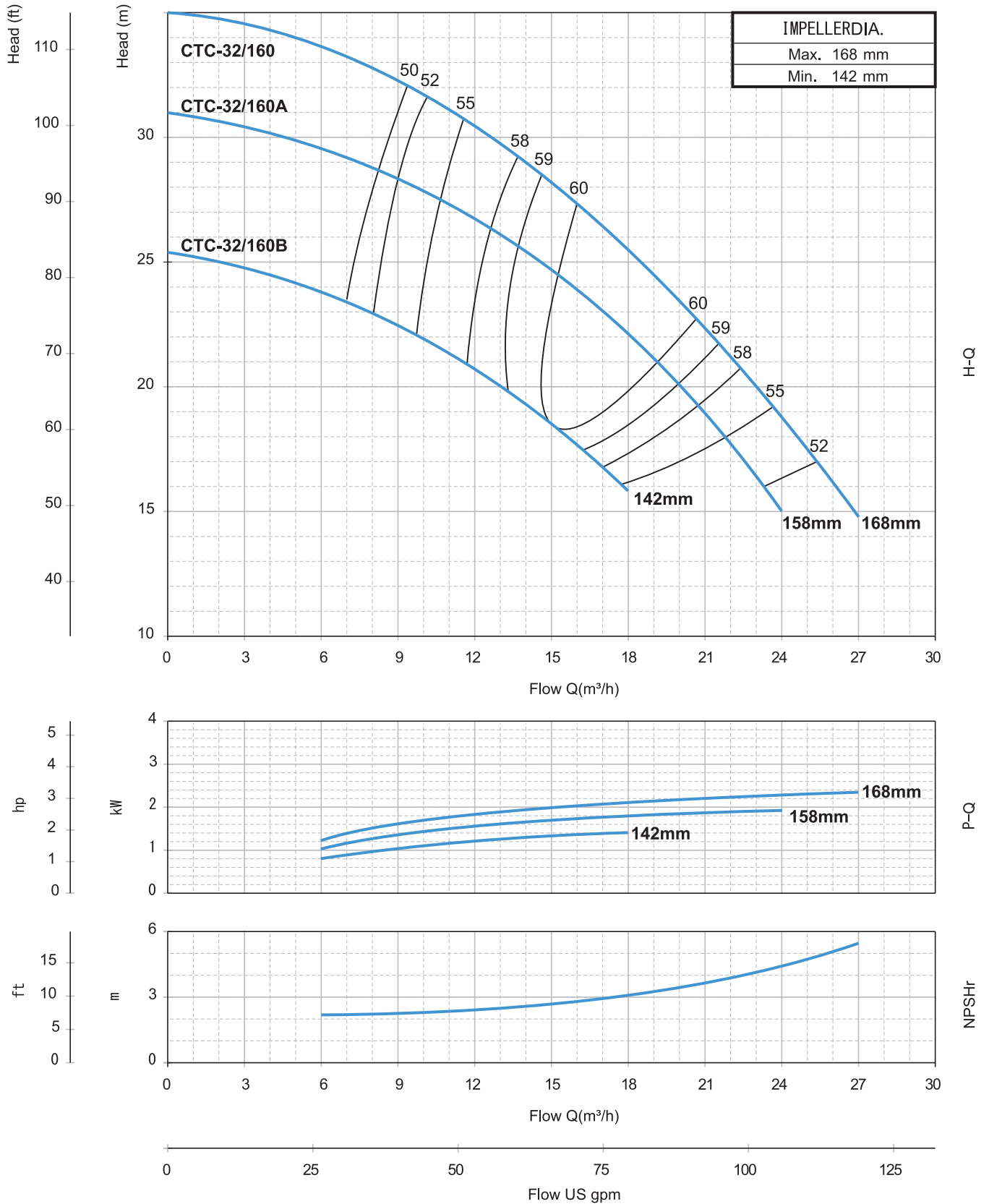
Centrifugal Pumps

DIN Standard

CT SERIES

Performance Curves

2900rpm



Curve tolerance accordance to ISO 9906, Grade 3B. In view of continuous developments the information / performance / descriptions / specifications / illustrations are subject to change without notice

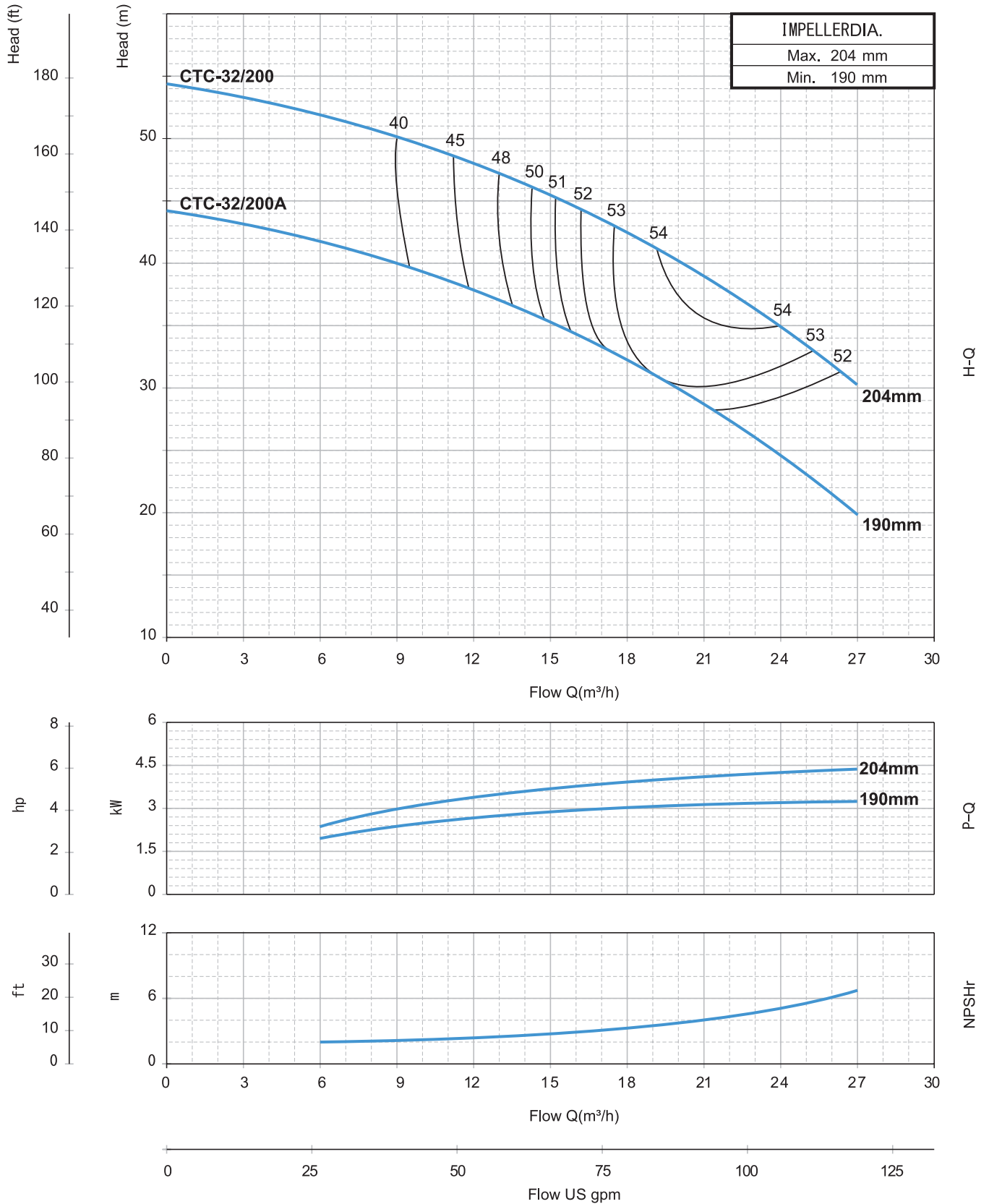
Centrifugal Pumps

DIN Standard

CT SERIES

Performance Curves

2900rpm



Curve tolerance accordance to ISO 9906, Grade 3B.
In view of continuous developments the information / performance / descriptions / specifications / illustrations are subject to change without notice

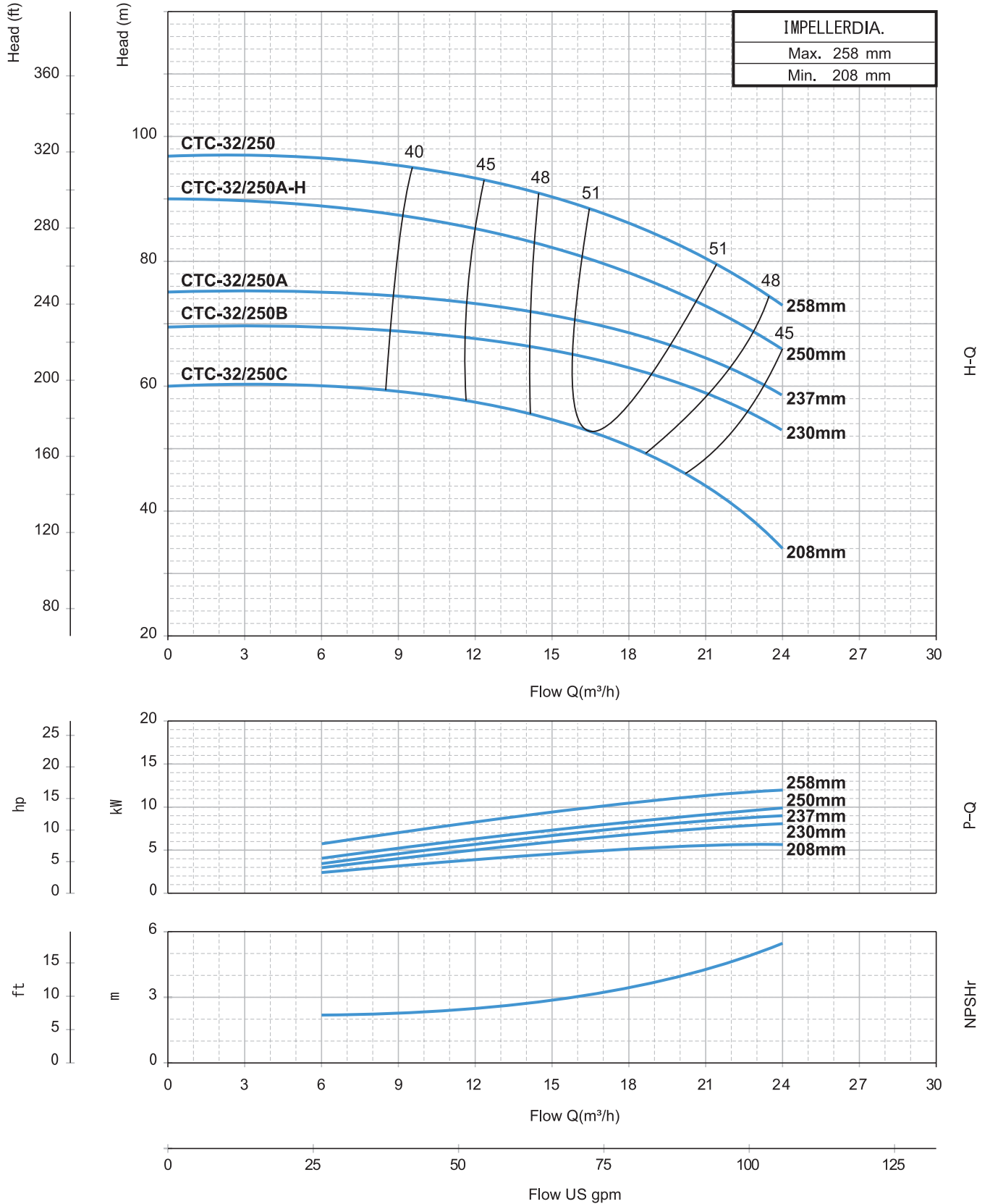
Centrifugal Pumps

DIN Standard

CT SERIES

Performance Curves

2900rpm



Curve tolerance accordance to ISO 9906, Grade 3B. In view of continuous developments the information / performance / descriptions / specifications / illustrations are subject to change without notice

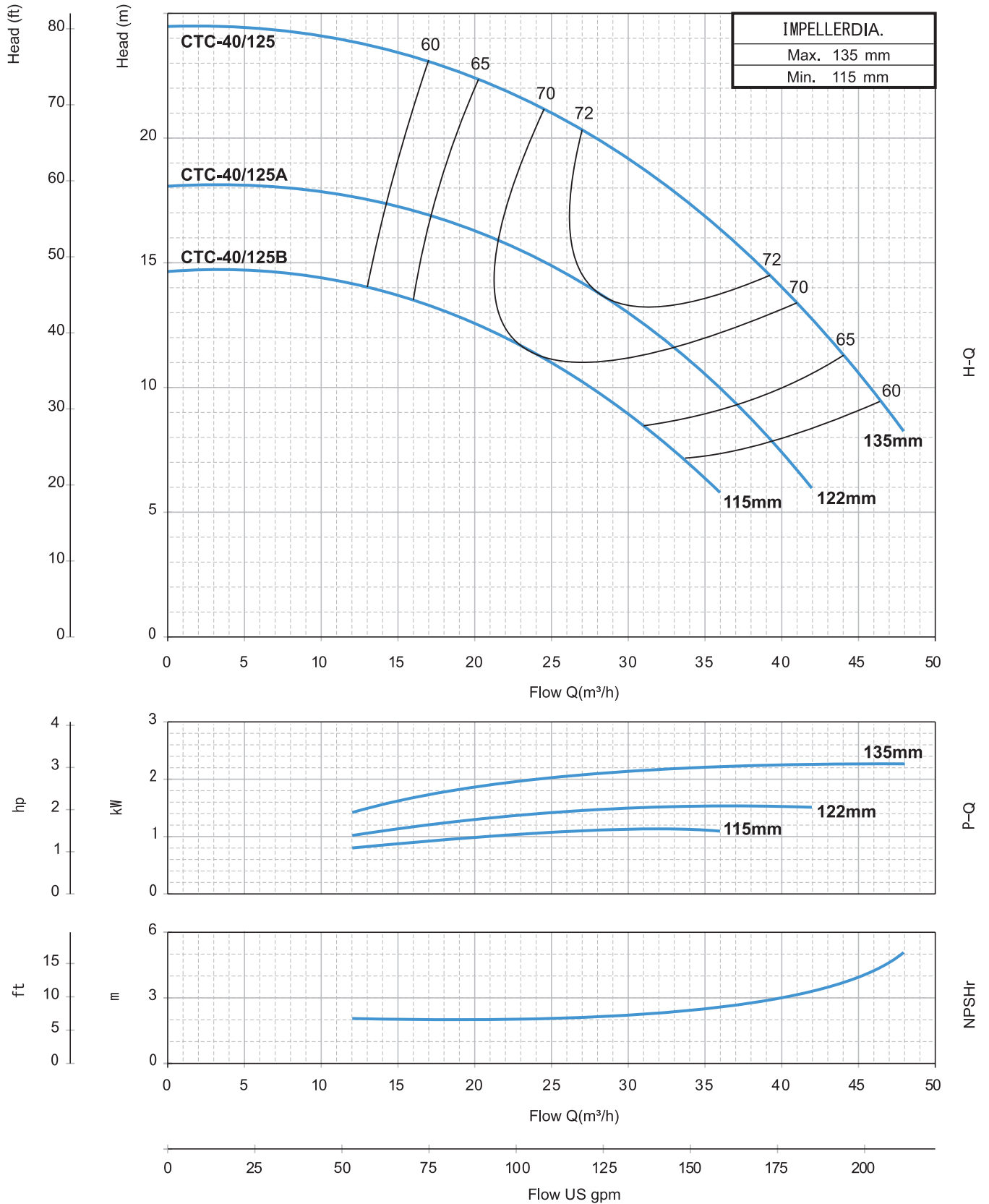
Centrifugal Pumps

DIN Standard

CT SERIES

Performance Curves

2900rpm



Curve tolerance accordance to ISO 9906, Grade 3B. In view of continuous developments the information / performance / descriptions / specifications / illustrations are subject to change without notice

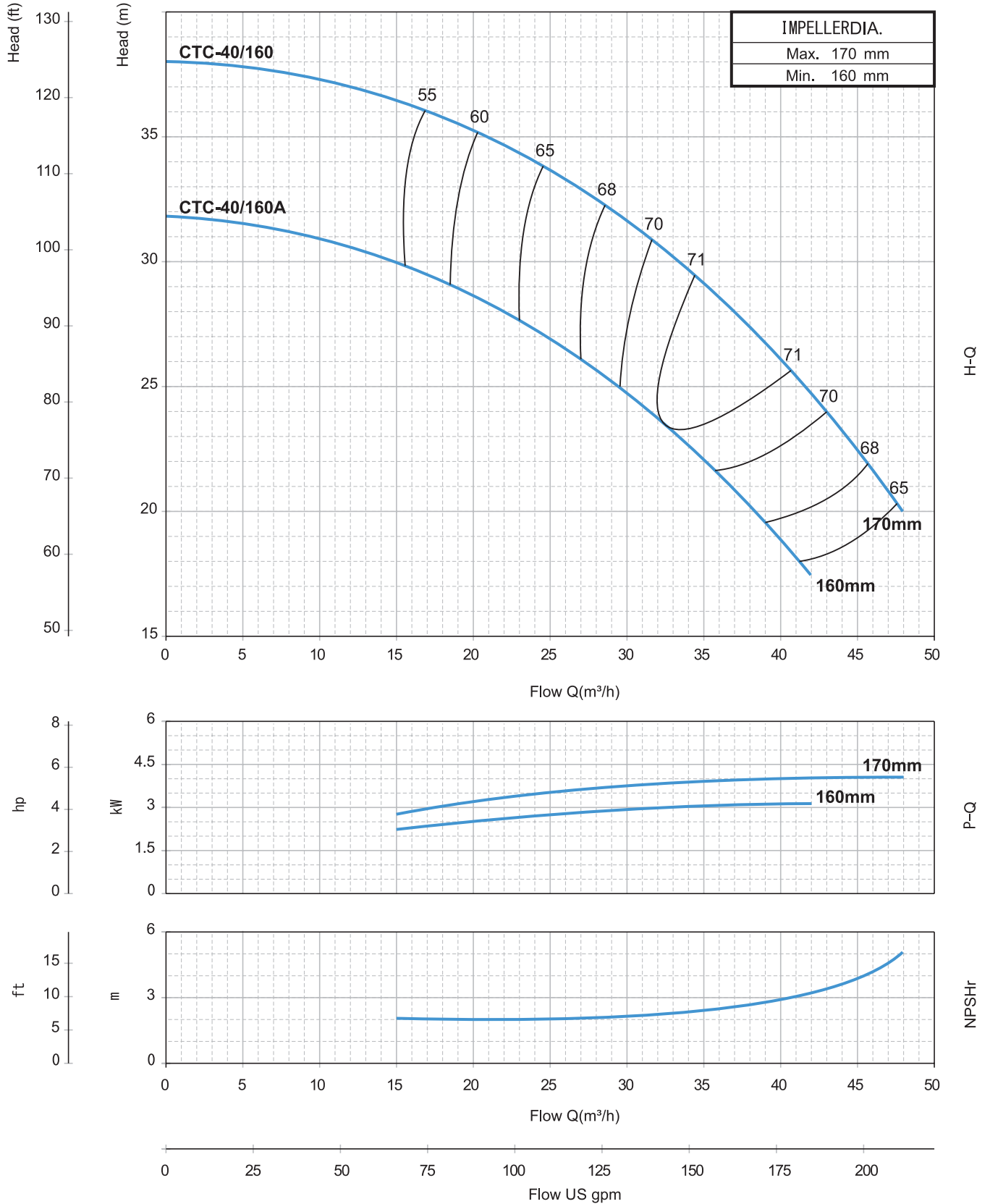
Centrifugal Pumps

DIN Standard

CT SERIES

Performance Curves

2900rpm



Curve tolerance accordance to ISO 9906, Grade 3B.
 In view of continuous developments the information / performance / descriptions / specifications / illustrations are subject to change without notice

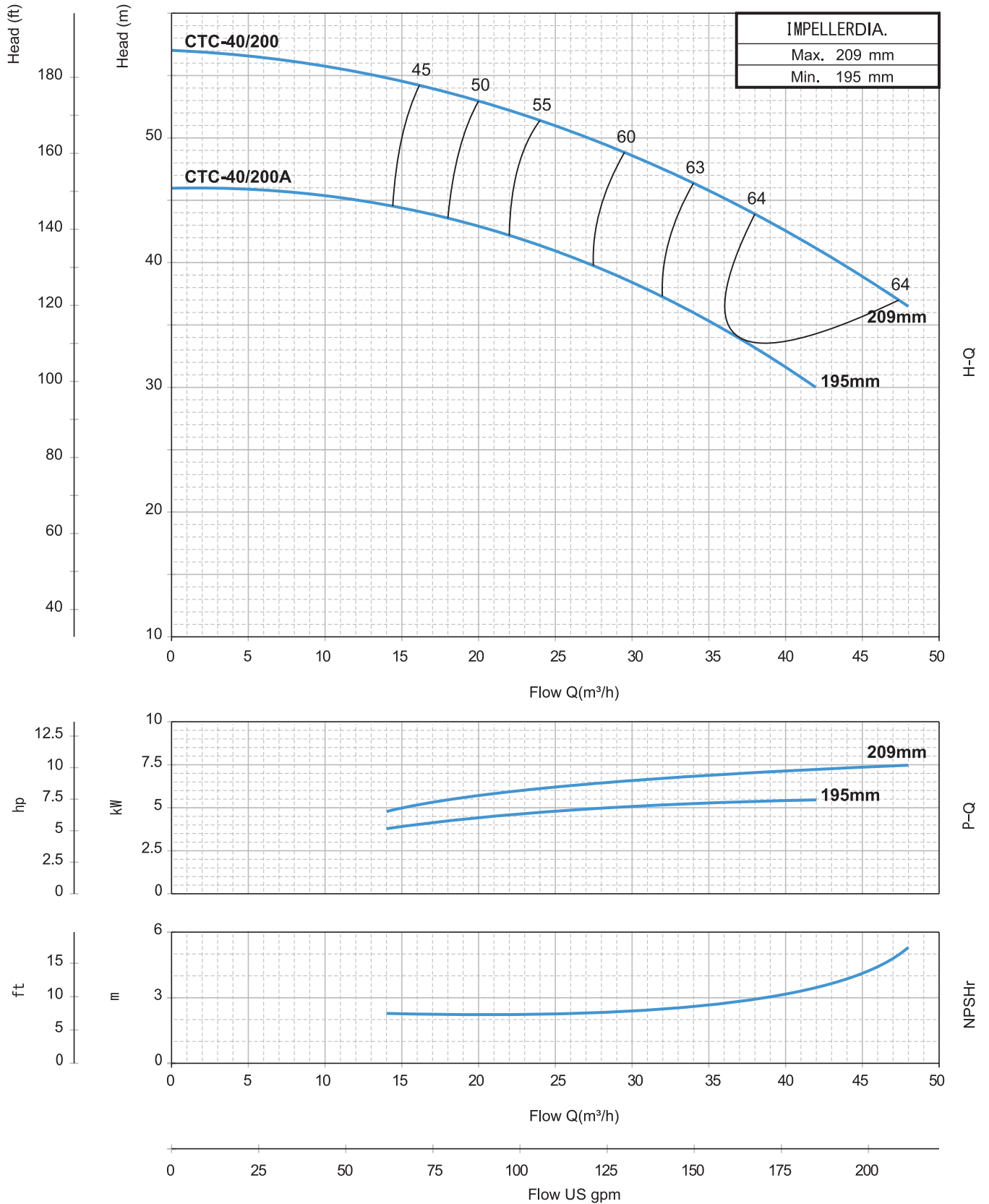
Centrifugal Pumps

DIN Standard

CT SERIES

Performance Curves

2900rpm



Curve tolerance accordance to ISO 9906, Grade 3B.
In view of continuous developments the information / performance / descriptions / specifications / illustrations are subject to change without notice

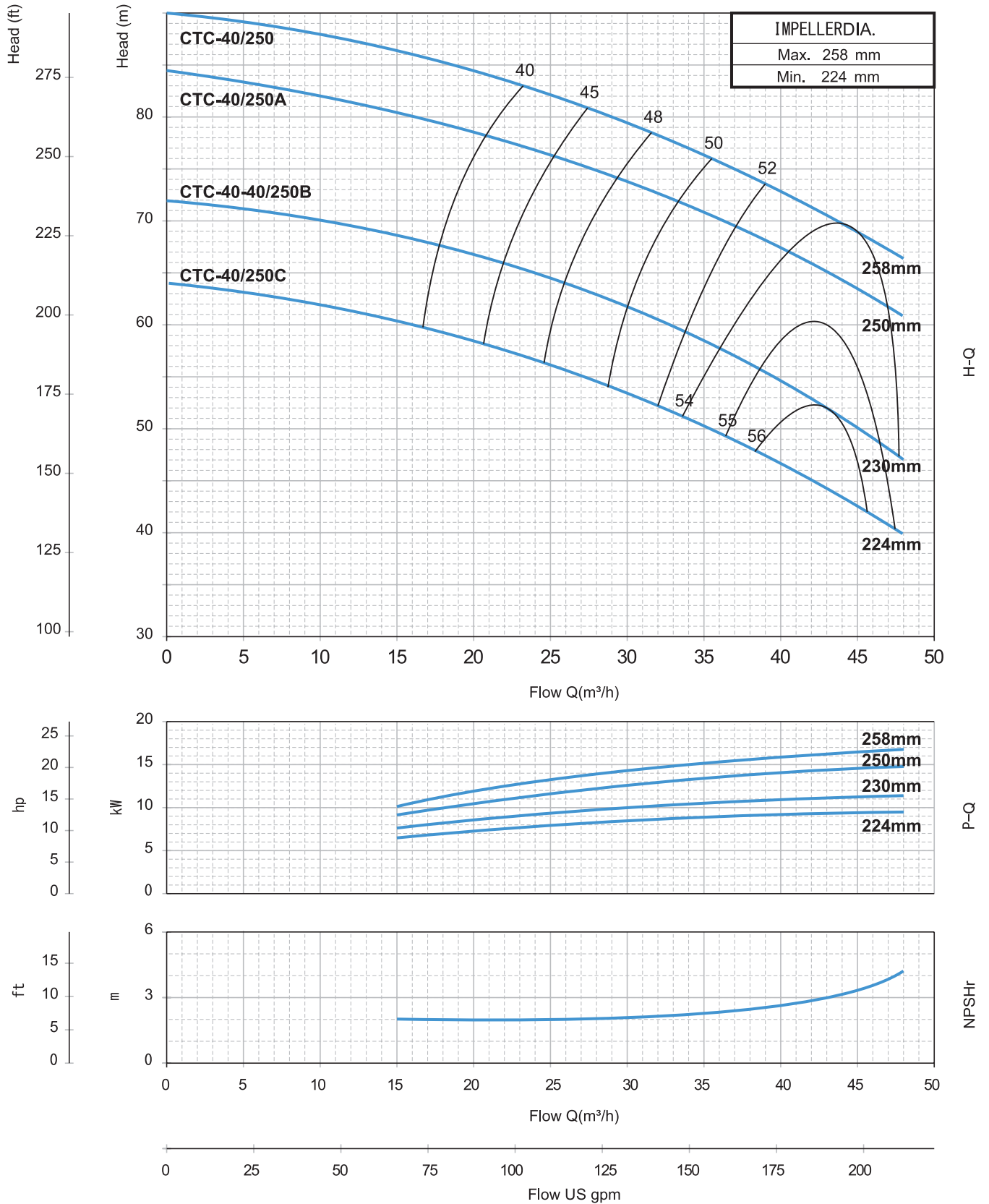
Centrifugal Pumps

DIN Standard

CT SERIES

Performance Curves

2900rpm



Curve tolerance accordance to ISO 9906, Grade 3B. In view of continuous developments the information / performance / descriptions / specifications / illustrations are subject to change without notice

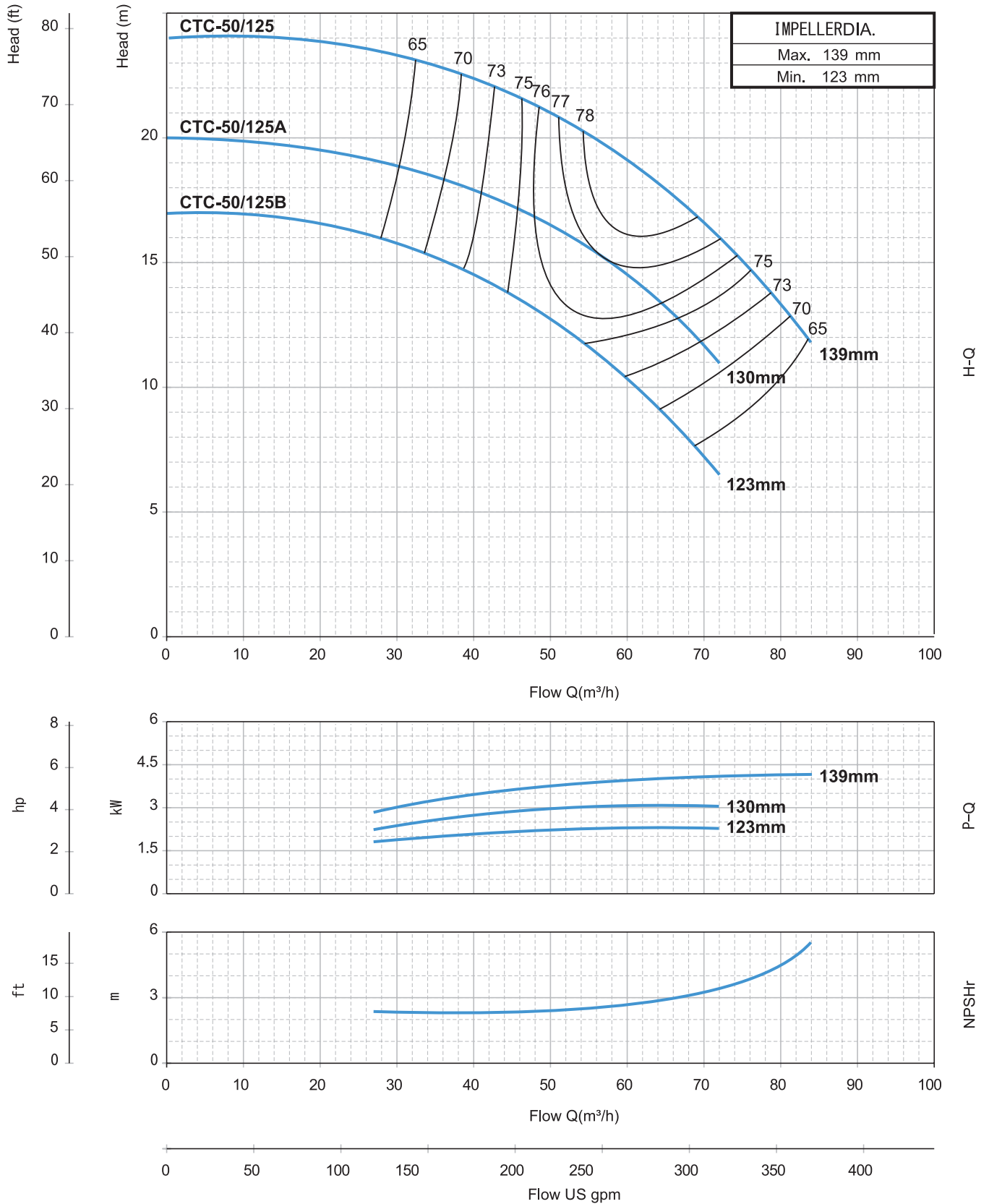
Centrifugal Pumps

DIN Standard

CT SERIES

Performance Curves

2900rpm



Curve tolerance accordance to ISO 9906, Grade 3B. In view of continuous developments the information / performance / descriptions / specifications / illustrations are subject to change without notice

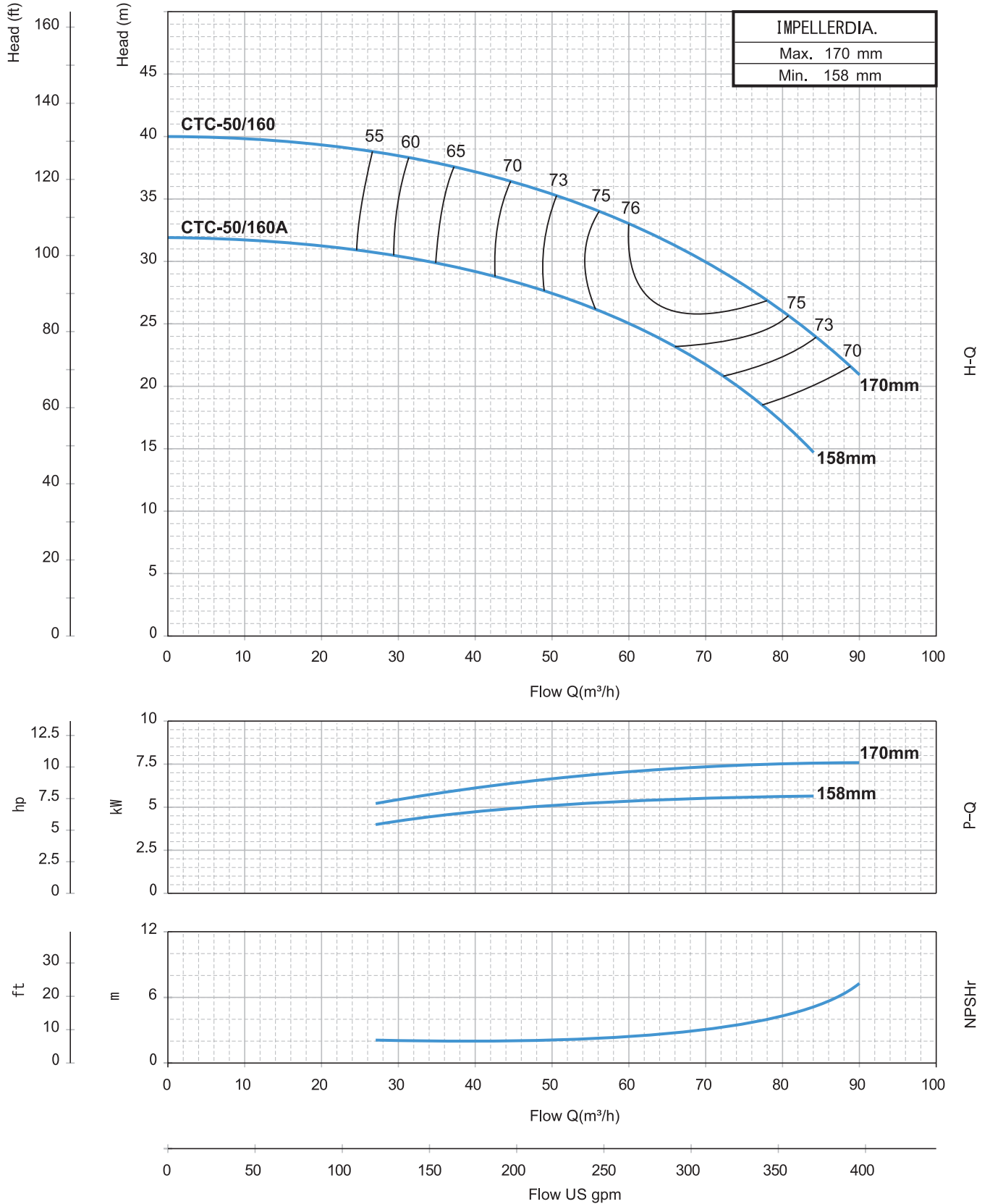
Centrifugal Pumps

DIN Standard

CT SERIES

Performance Curves

2900rpm



Curve tolerance accordance to ISO 9906, Grade 3B.
In view of continuous developments the information / performance / descriptions / specifications / illustrations are subject to change without notice

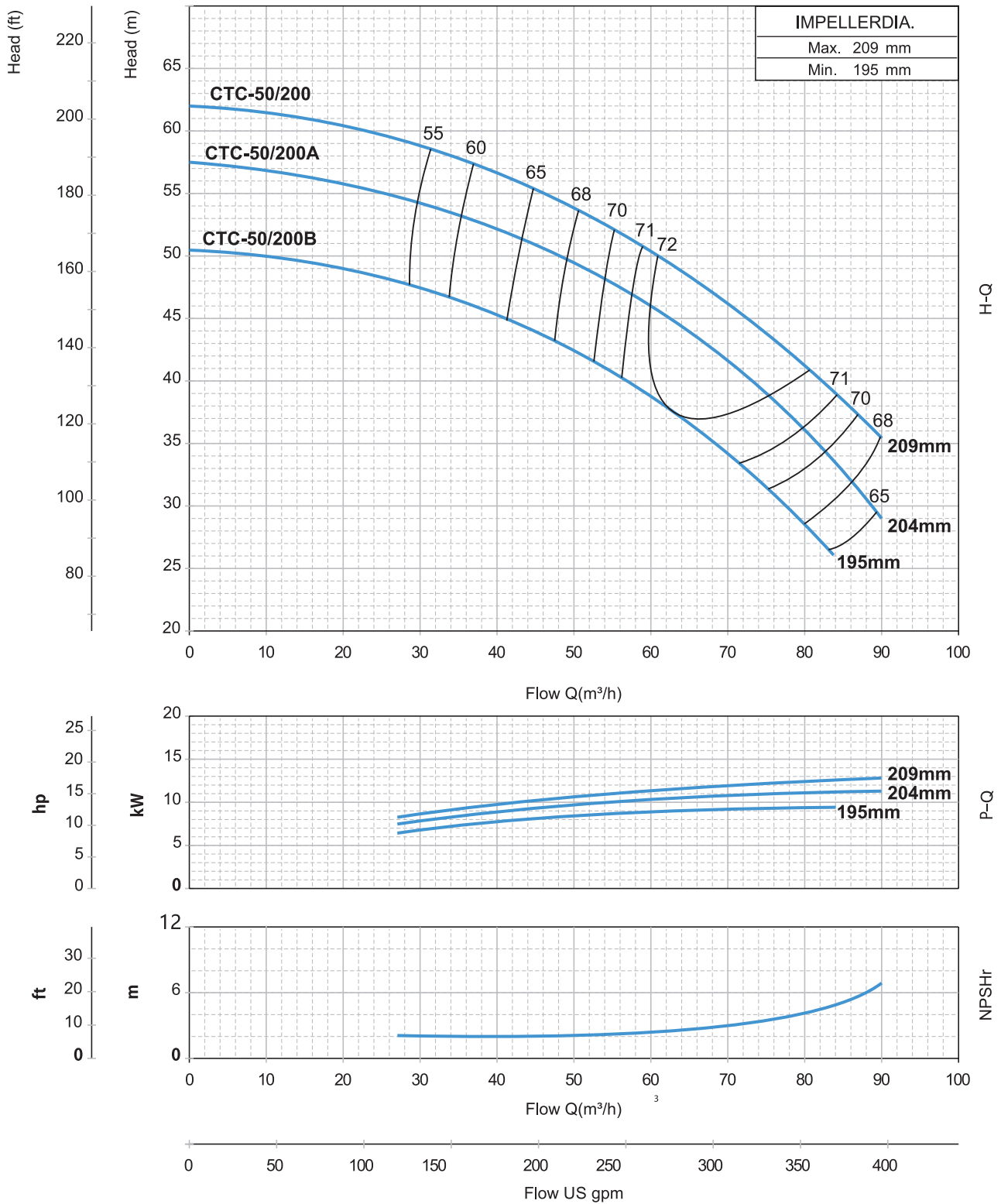
Centrifugal Pumps

DIN Standard

CT SERIES

Performance Curves

2900rpm



Curve tolerance accordance to ISO 9906, Grade 3B.
 In view of continuous developments the information / performance / descriptions / specifications / illustrations are subject to change without notice

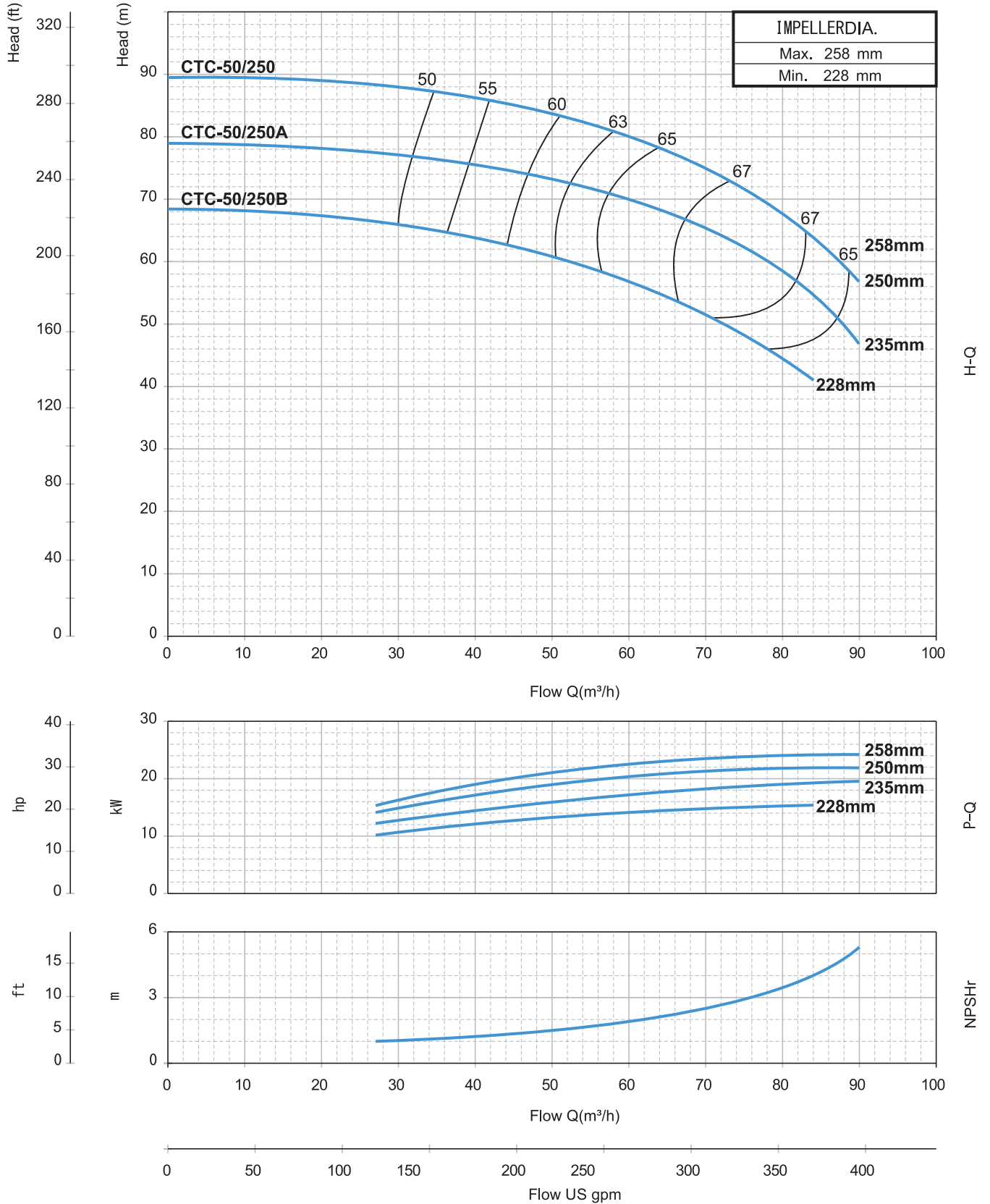
Centrifugal Pumps

DIN Standard

CT SERIES

Performance Curves

2900rpm



Curve tolerance accordance to ISO 9906, Grade 3B. In view of continuous developments the information / performance / descriptions / specifications / illustrations are subject to change without notice

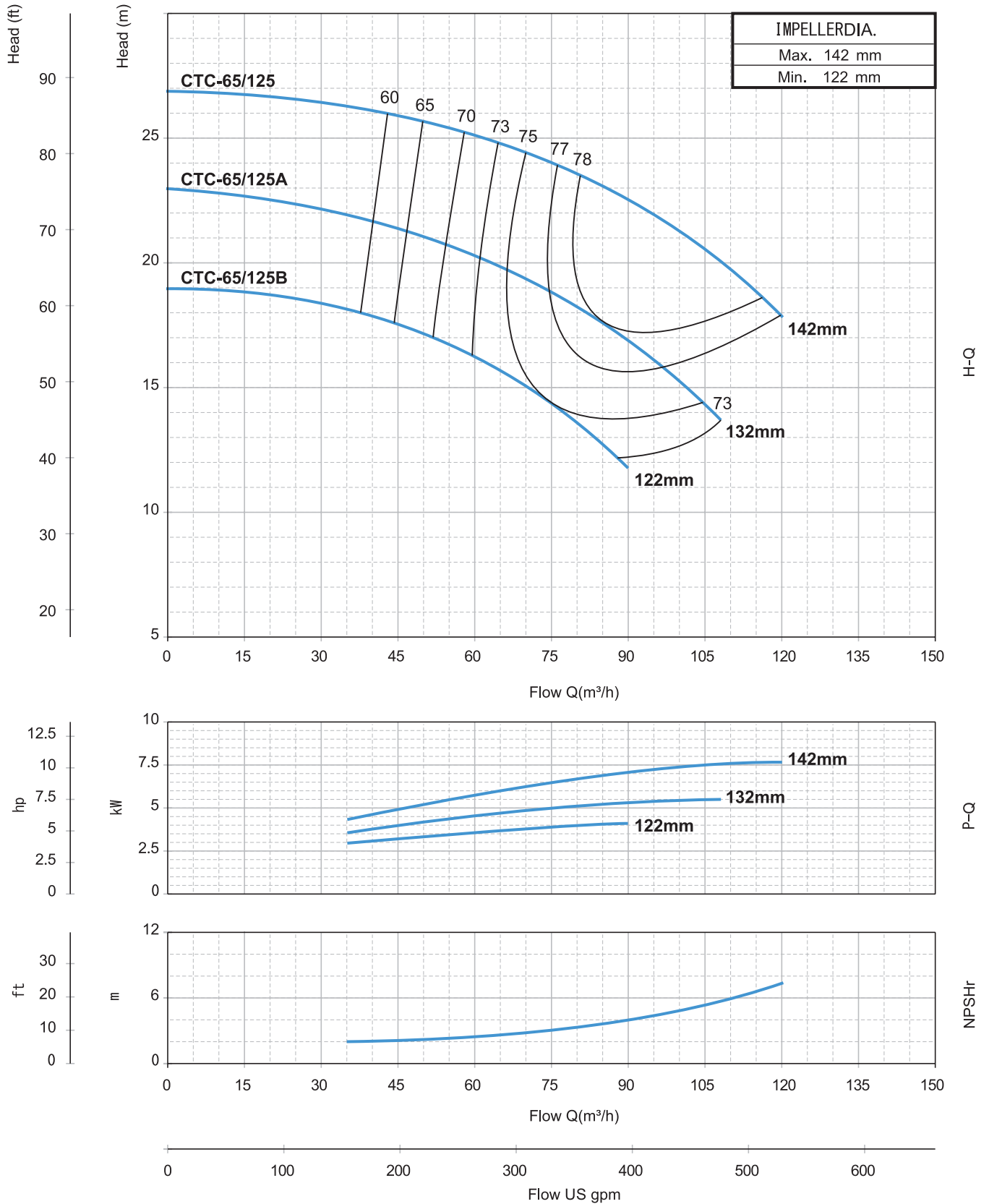
Centrifugal Pumps

DIN Standard

CT SERIES

Performance Curves

2900rpm



Curve tolerance accordance to ISO 9906, Grade 3B. In view of continuous developments the information / performance / descriptions / specifications / illustrations are subject to change without notice

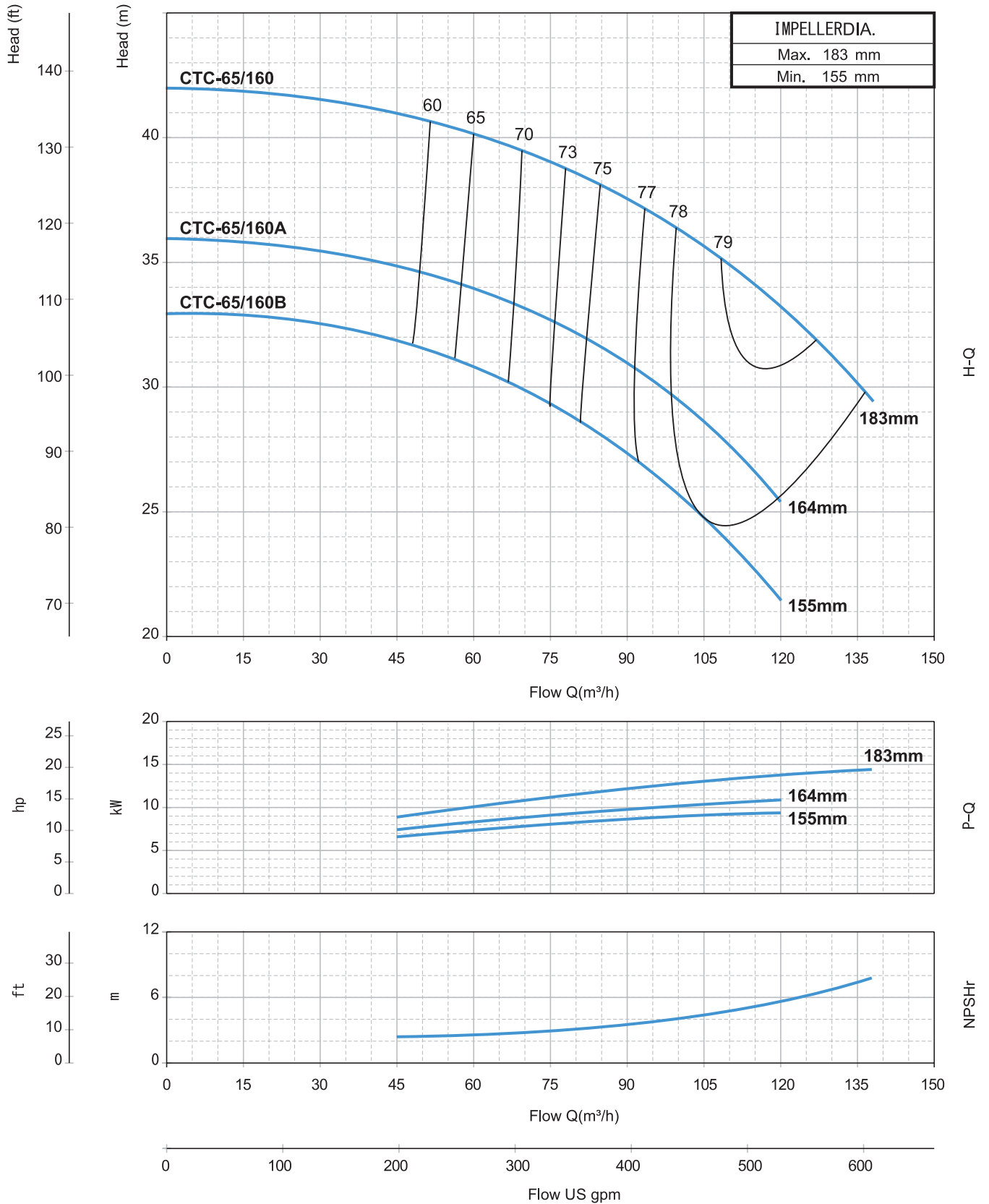
Centrifugal Pumps

DIN Standard

CT SERIES

Performance Curves

2900rpm



Curve tolerance accordance to ISO 9906, Grade 3B. In view of continuous developments the information / performance / descriptions / specifications / illustrations are subject to change without notice

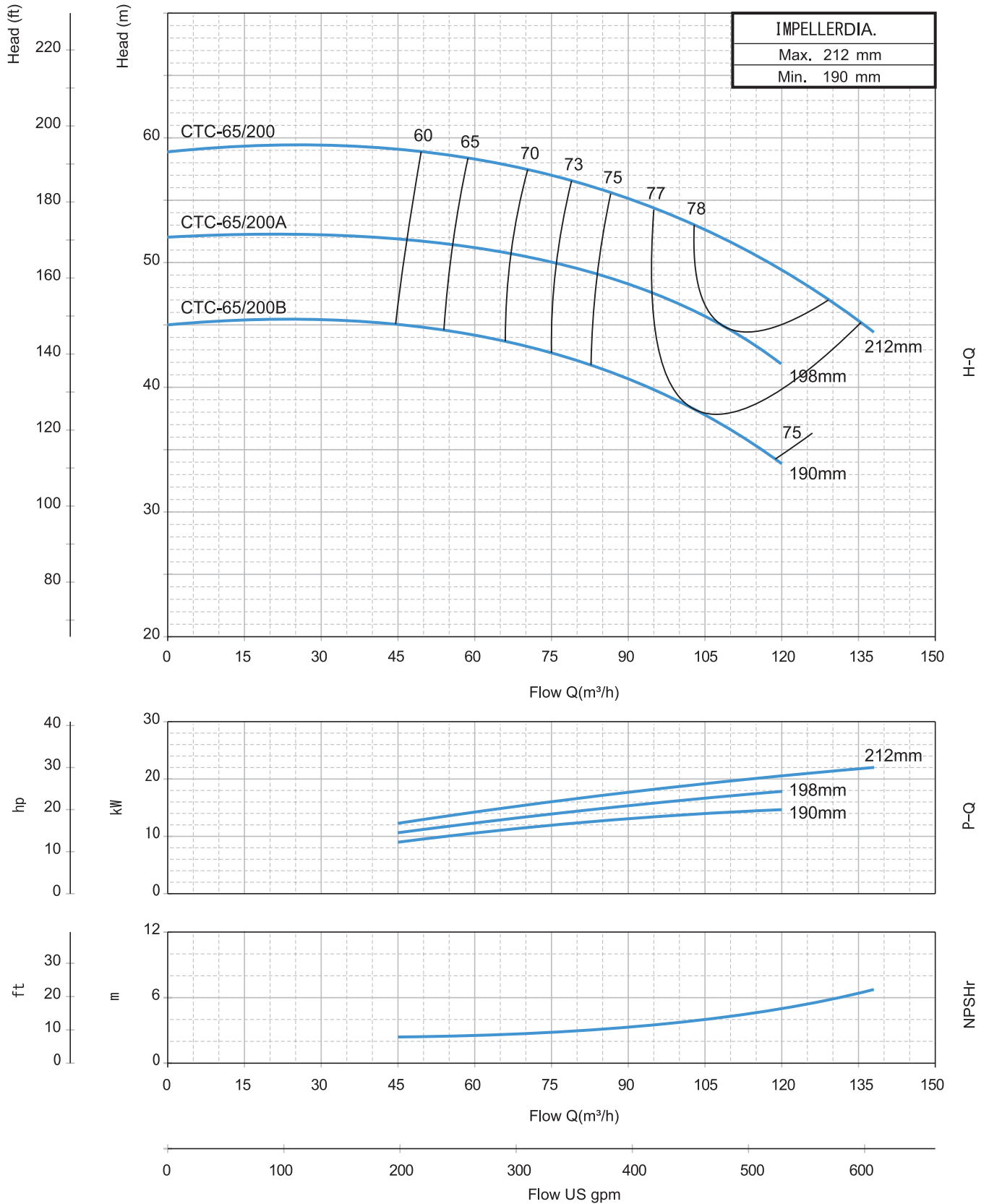
Centrifugal Pumps

DIN Standard

CT SERIES

Performance Curves

2900rpm



Curve tolerance accordance to ISO 9906, Grade 3B. In view of continuous developments the information / performance / descriptions / specifications / illustrations are subject to change without notice

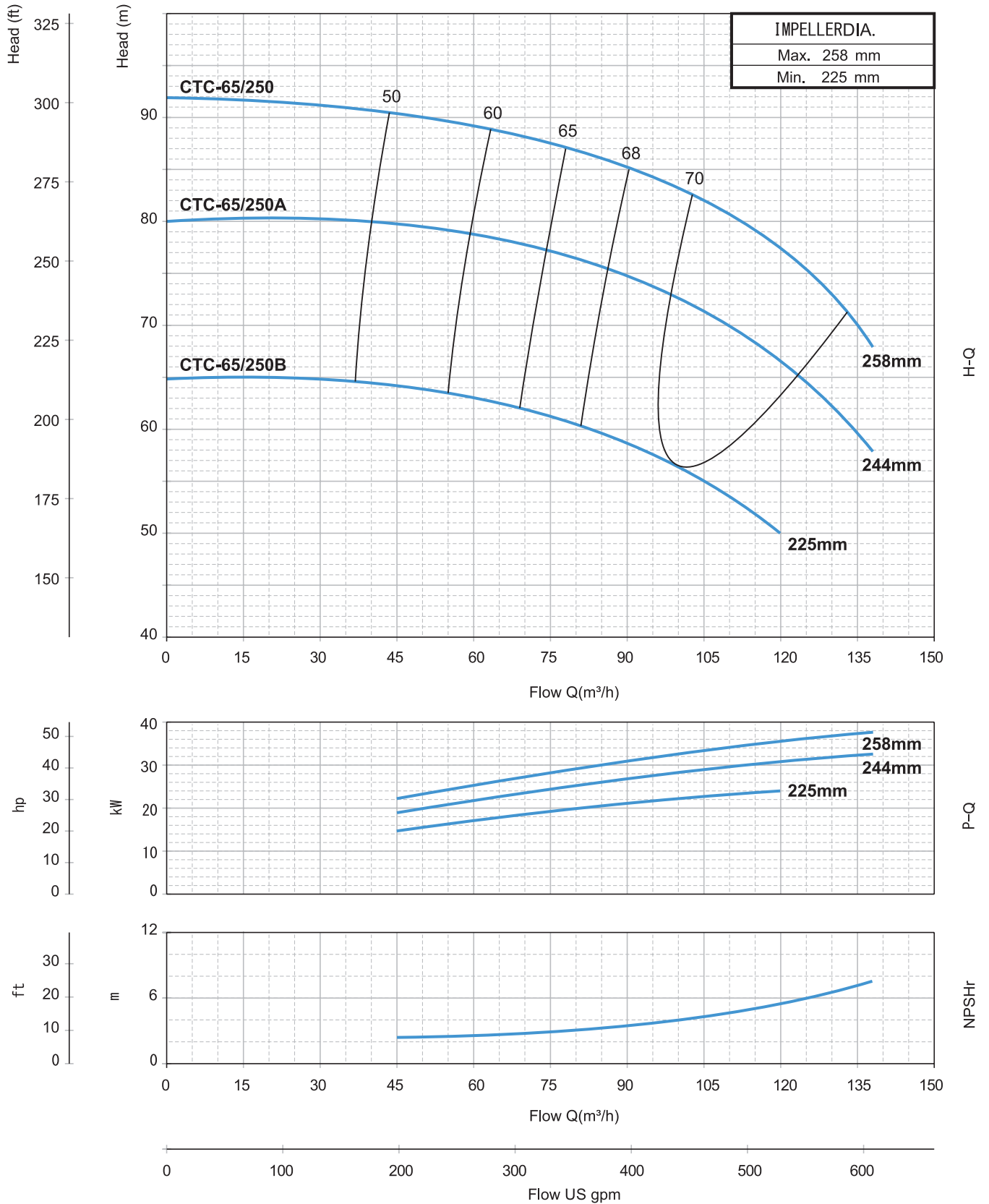
Centrifugal Pumps

DIN Standard

CT SERIES

Performance Curves

2900rpm



Curve tolerance accordance to ISO 9906, Grade 3B. In view of continuous developments the information / performance / descriptions / specifications / illustrations are subject to change without notice

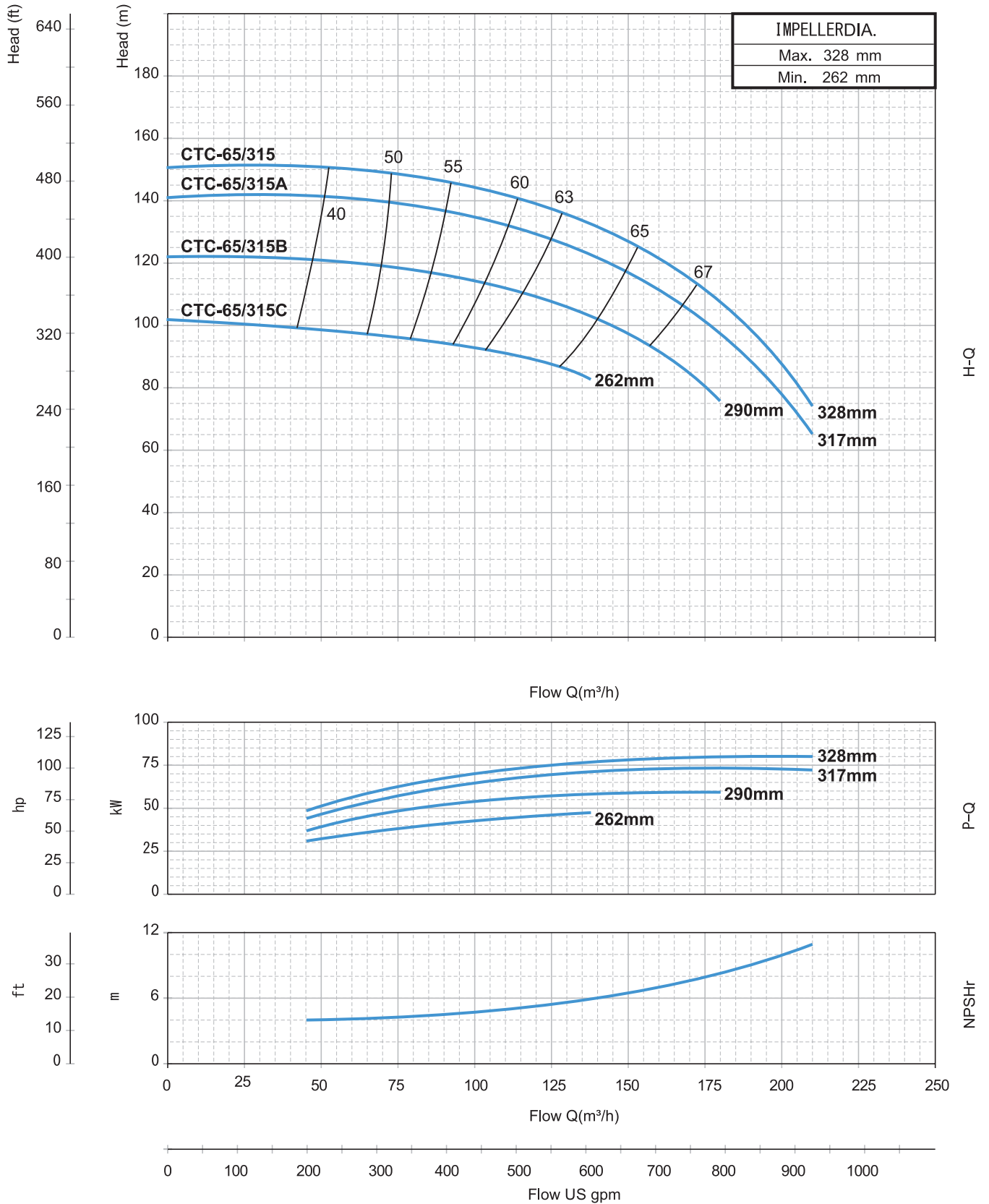
Centrifugal Pumps

DIN Standard

CT SERIES

Performance Curves

2900rpm



Curve tolerance accordance to ISO 9906, Grade 3B. In view of continuous developments the information / performance / descriptions / specifications / illustrations are subject to change without notice

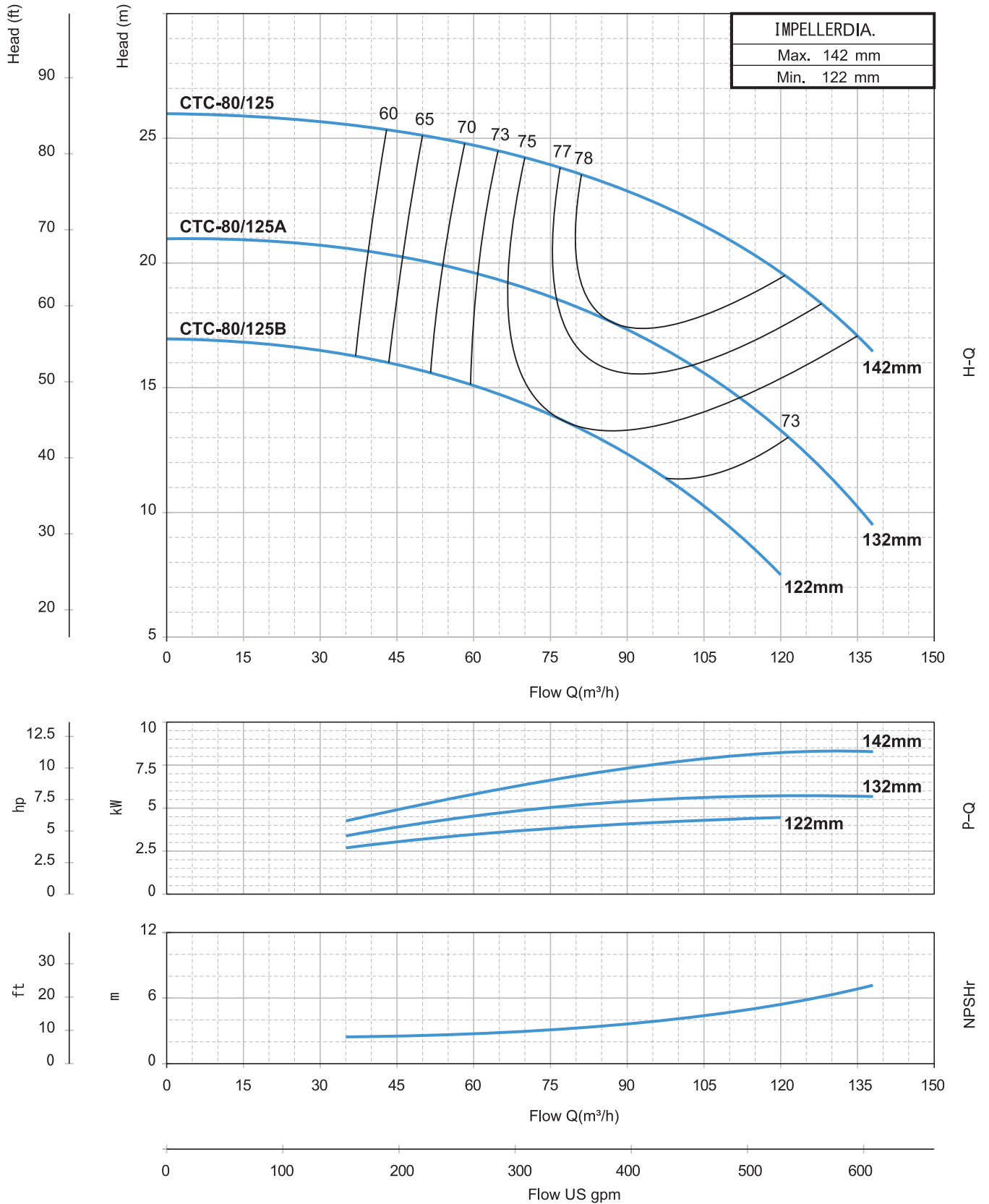
Centrifugal Pumps

DIN Standard

CT SERIES

Performance Curves

2900rpm



Curve tolerance accordance to ISO 9906, Grade 3B. In view of continuous developments the information / performance / descriptions / specifications / illustrations are subject to change without notice

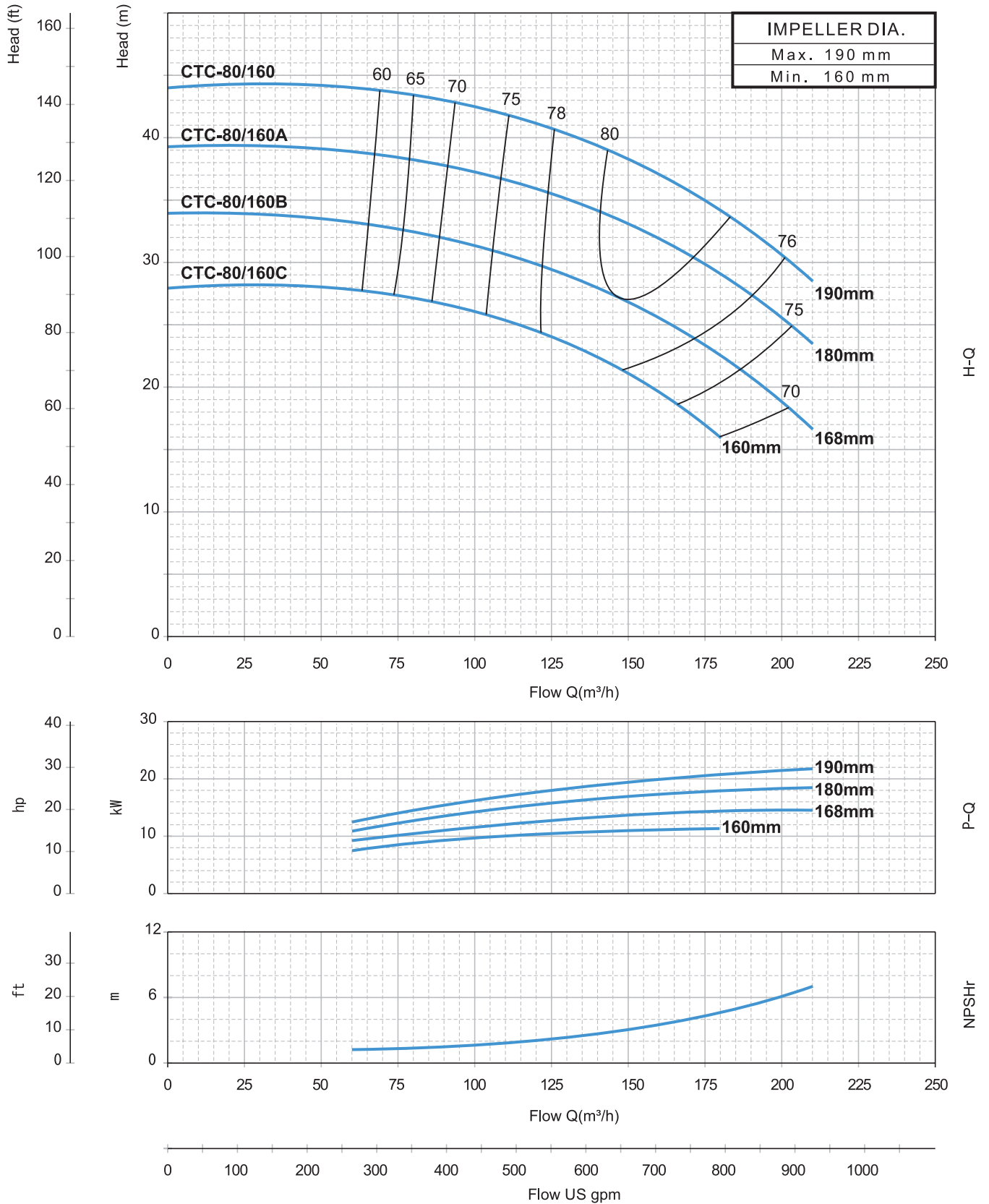
Centrifugal Pumps

DIN Standard

CT SERIES

Performance Curves

2900rpm



Curve tolerance accordance to ISO 9906, Grade 3B. In view of continuous developments the information / performance / descriptions / specifications / illustrations are subject to change without notice

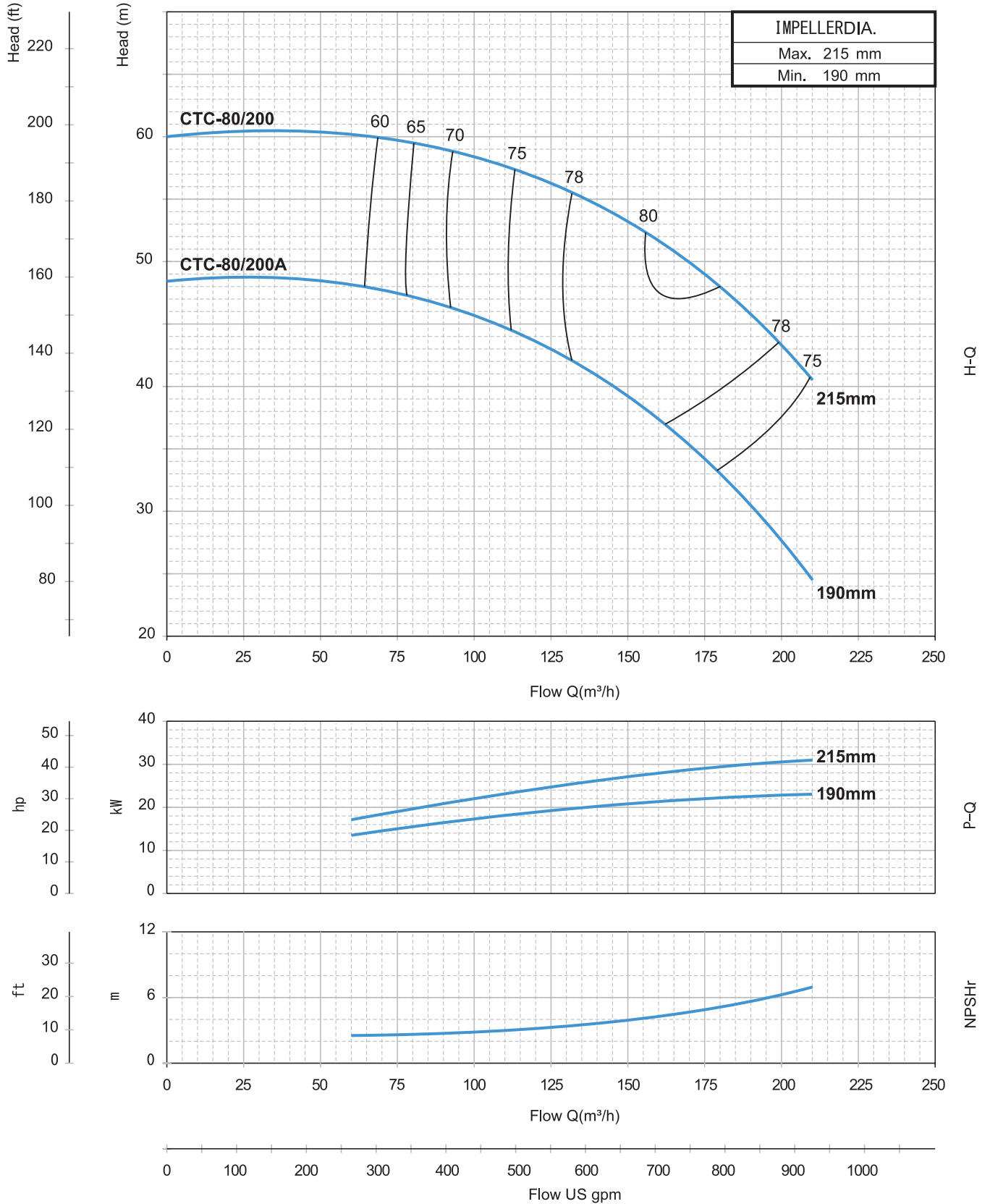
Centrifugal Pumps

DIN Standard

CT SERIES

Performance Curves

2900rpm



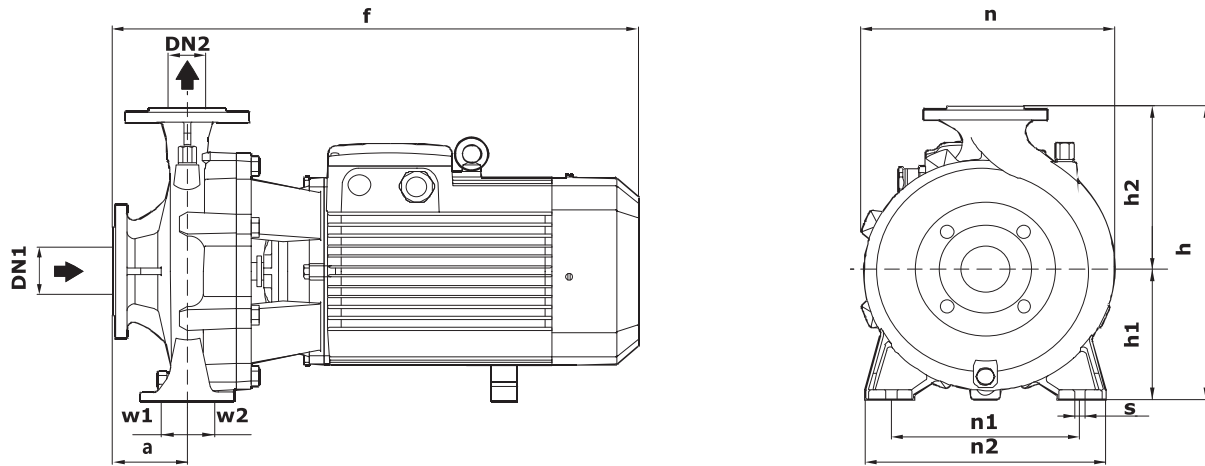
Curve tolerance accordance to ISO 9906, Grade 3B. In view of continuous developments the information / performance / descriptions / specifications / illustrations are subject to change without notice

Centrifugal Pumps

DIN Standard

CT SERIES

General Arrangement Drawing (GAD), Dimensions and Weight



Pump Model	Dimensions													Net Wt (kg)	Frame Size		
	DN1	DN2	a	f	h	h1	h2	n	n1	n2	w1	w2	s				
Three Phase														Three Phase			
CTC-32/125A	50	32	80	435	255	114	141	202	140	190	35	35	15	24	90#		
CTC-32/125																	
CTC-32/160B					83	470	295	133	162	245	190	245	35	35	15	34	90#
CTC-32/160A																	
CTC-32/160																50	90#
CTC-32/200A					82	490	342	161	181	265		240				52	100#
CTC-32/200																53	100#
CTC-32/250C																66	132#
CTC-32/250B					88	590	405	186	219	333	250	328	49	49	16	73	132#
CTC-32/250A																80	132#
CTC-32/250A-H					88	590	405	186	219	333	250	328	49	49	16	95	132#
CTC-32/250					94	712	415	186	229	327	250	327	49	49	16	125	132#
CTC-40/125B	65	40		440	260	116	144	220	160	212	37	37	15	27	90#		
CTC-40/125A																	
CTC-40/125																34	90#
CTC-40/160A					80	490	305	135	170	250	190	241	37	37	15	48	100#
CTC-40/160																	
CTC-40/200A					102	560	345	162	193	282	214	267	49	49	15	66	112#
CTC-40/200																	
CTC-40/250C																100	132#
CTC-40/250B					94	712	415	186	229	327	250	327	49	49		116	132#
CTC-40/250A																146	132#
CTC-40/250																155	160#
CTC-50/125B			50	50		525	305	135	170	263	190	245	37	37	15	41	100#
CTC-50/125A																	
CTC-50/125																52	100#
CTC-50/160A					110	560	348	164	193	270	212	262	37	37	15	64	112#
CTC-50/160																	
CTC-50/200B																90	160#
CTC-50/200A					104	722	392	186	206	307	232	310	37	37	15	106	160#
CTC-50/200																	
CTC-50/250B																148	160#
CTC-50/250A					102	720	416	186	230	330	250	327	37	37	15	153	160#
CTC-50/250																	

All dimensions are in mm.

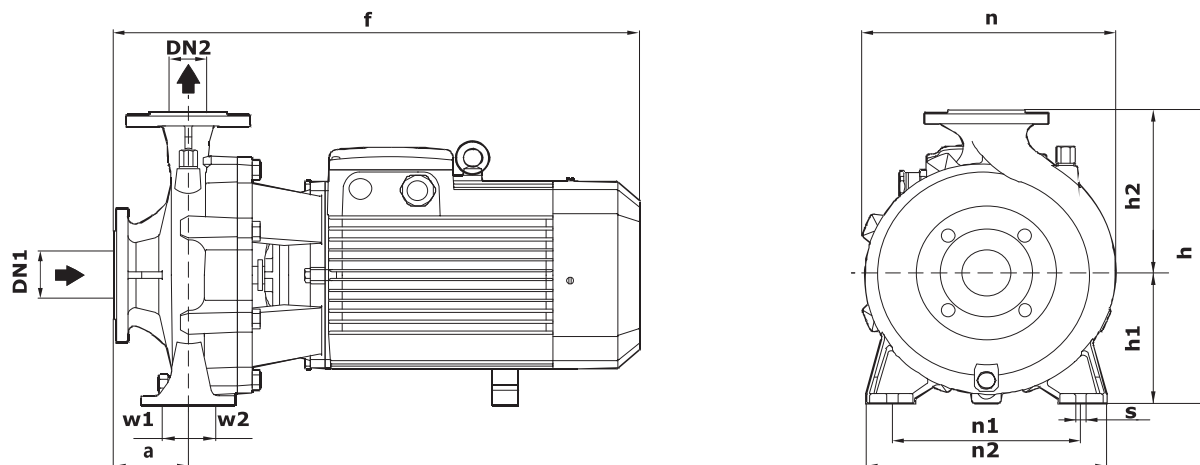
In view of continuous developments the information / performance / descriptions / specifications / illustrations are subject to change without notice

Centrifugal Pumps

DIN Standard

CT SERIES

General Arrangement Drawing (GAD), Dimensions and Weight



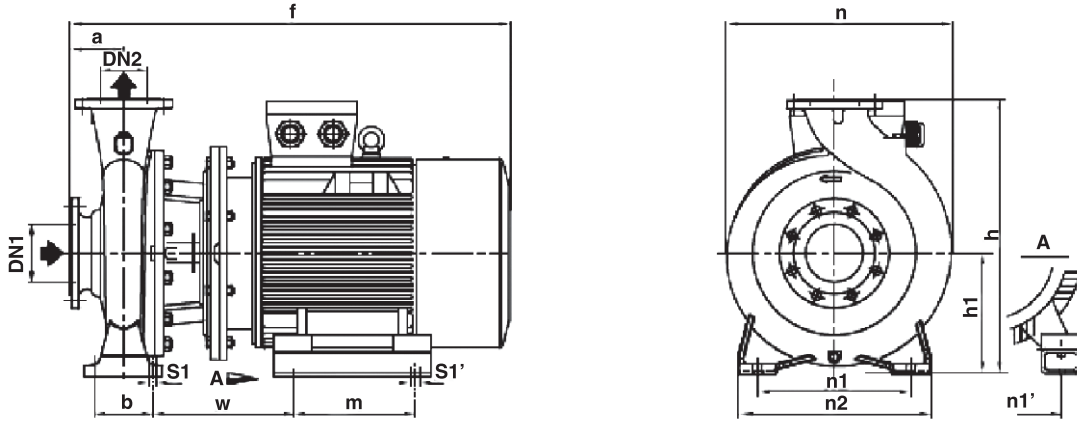
Pump Model	Dimensions													Net Wt (kg)	Frame Size							
	DN1	DN2	a	f	h	h1	h2	n	n1	n2	w1	w2	s									
CTC-65/125B	80	65	104	580	355	162	193	275	212	280	49	49	15	56	112#							
CTC-65/125A														68	112#							
CTC-65/125														74	112#							
CTC-65/160B			110	730	425	186	239							330	232	309	49	49	15	90	132#	
CTC-65/160A																				106	132#	
CTC-65/160																				134	160#	
CTC-65/200B			111	740	426	240	186							240	330	232	309	49	49	15	140	160#
CTC-65/200A																					145	160#
CTC-65/200																					185	160#
CTC-80/125B			100	80	117	750	357							163	194	330	212	280	49	49	15	56
CTC-80/125A	68	112#																				
CTC-80/125	74	112#																				
CTC-80/160C	88	436			186	250	186	250	330	255	332	49	49	15	113							132#
CTC-80/160B															143							160#
CTC-80/160A															150							160#
CTC-80/160	183	160#																				

Centrifugal Pumps

DIN Standard

CT SERIES

General Arrangement Drawing (GAD), Dimensions and Weight



Pump Model	Dimensions															Net Wt (kg)	Frame Size		
	DN1	DN2	a	f	h	h1	n	n1	n1'	n2	b	w	m	s1	s1'			3~	
CTC-65/250B	80	65	116	870	420	180	369	260	279	320	70	246	241	18	15	214	180#		
CTC-65/250A				990	456	195		250	318	327		293	305		19	265	200#		
CTC-65/250																285	200#		
CTC-65/315C					125	1069	505	225	440	280	356	360	120	324	311	20	18	371	225#
CTC-65/315B			37	349		24								450	250#				
CTC-65/315A			395	368		24								582	280#				
CTC-65/315			395	419		24								617	280#				
CTC-80/200A	100	80	125	880	460	250	360	280	279	345	95	251	241	20	18	211	180#		
CTC-80/200				318					305			18			262	200#			

All dimensions are in mm.

Centrifugal Pumps - Stainless Steel

DIN Standard

CTSS SERIES



Description

C.R.I. CTSS Series pumps are horizontal single stage centrifugal monoblock type supplied with radial flow impeller for higher head and flow requirements. These pumps are rigid in construction and compact design. Centrifugal pumps are powered by a totally enclosed fan cooled three phase premium efficiency motor suitable for continuous duty. Monoblock construction eliminates loss of energy while transmitting the energy from the motor to pump. The complete pump portion is made up of stainless-steel material for hygienic applications like reverse osmosis and pumping of water in food industries. The back pull out design facilitates ease of maintenance. The pump mounting dimensions and duties are in accordance with DIN 24255 and EN733.

Features

- Wide hydraulic ranges
- Back pull out design
- Offered with premium efficiency motor
- Mounting and duties as per DIN24255 / EN 733

Applications

- Agriculture
- Water transfer
- Cooling systems
- Washing systems
- Pressure Boosting systems
- Utility water supply in industries and commercial buildings
- HVAC system
- Firefighting system

Centrifugal Pumps - Stainless Steel

DIN Standard

CTSS SERIES

Pump Specifications & Operating Limits

Flow	Upto 70m ³ /h
Head	Upto 73.5m
Power Range	1.1 - 18.5kW
Speed	2900 RPM
Inlet Size	50 - 65mm
Outlet Size	32 - 50mm
Liquid Temperature	Upto 35°C
Maximum Ambient Temperature	50°C
Shaft seal	Mechanical seal (Carbon & Ceramic)
Impeller Type	Enclosed Radial Flow
Maximum Working Pressure	Upto 10 bar
Flange Standard	DIN 2501
Design standard	DIN 24255 / EN 733
Maximum Suction Head	Refer individual curve to calculate suction head considering NPSHr & NPSHa

Motor Specifications

Powe range	1.1 - 18.5kW
Voltage	Three Phase, 380-415V, 50Hz, AC supply
Speed	2900 RPM
Insulation Class	F
Ingress Protection	IP55
IEC Efficiency class	IE2
Duty	S1 Continuous

Material of Construction

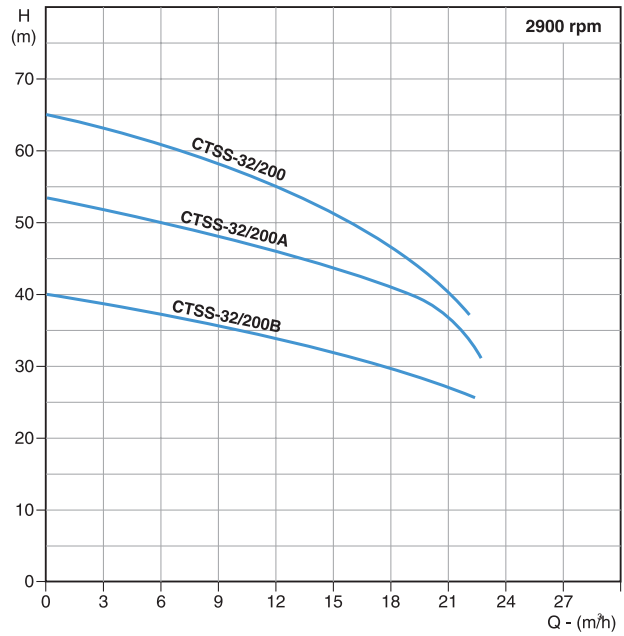
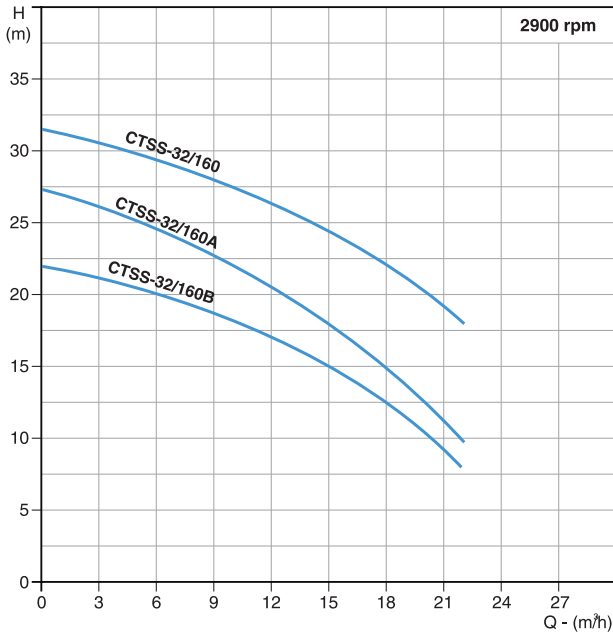
Part Name	Material (EN / DIN / USA)
Impeller	X5CrNi 18-10 / 1.4301 / AISI 304
Casing & Stuffing box	X5CrNi 18-10 / 1.4301 / AISI 304
Pump Shaft	X5CrNi 18-10 / 1.4301 / AISI 304
Shaft Seal	Mechanical Seal (Carbon & Ceramic)

Centrifugal Pumps - Stainless Steel

DIN Standard

CTSS SERIES

Performance Curves



Performance Table

Pump Size : 50 x 32

Pump Model	Power		Current (Amps) 3PH 380V	Flow (Q)	Head (m)									
	kW	HP			0	0.83	1.67	2.5	3.47	4.17	5	5.56	6.11	
				m³/h	0	3	6	9	12.5	15	18	20	22	
CTSS-32/160B	1.1	1.5	2.6	Head (m)	22	21	20	18.5	16.5	15	12.5	10	8	
CTSS-32/160A	1.5	2.0	3.5		27	26	24.5	22.5	20	18.5	15	12.5	9.5	
CTSS-32/160	2.2	3.0	4.9		31.5	30.5	29.5	27.5	26	24	22.5	20.5	18	
CTSS-32/200B	3.0	4.0	6.3		40	38	37	35	34	32	30	28	26	
CTSS-32/200A	4.0	5.5	9.6		53.5	51.5	50	48	45	43	41	39	30	
CTSS-32/200	5.5	7.5	11		65	62	60	58	54	52	47	42	37	

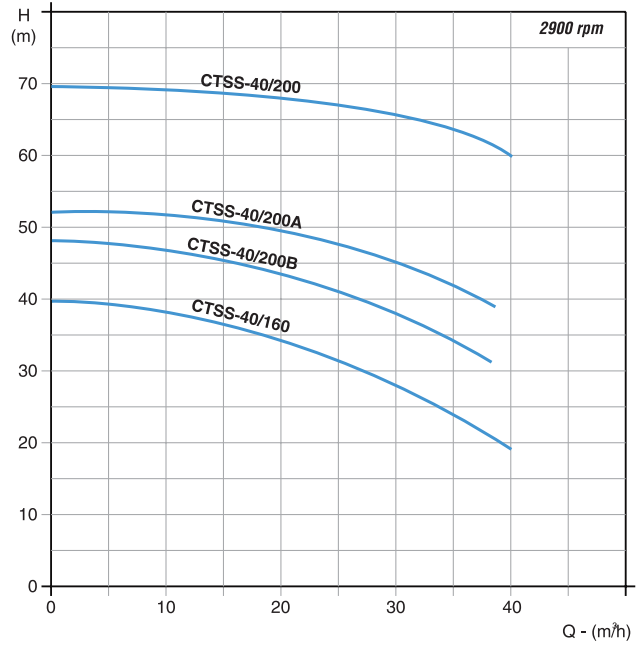
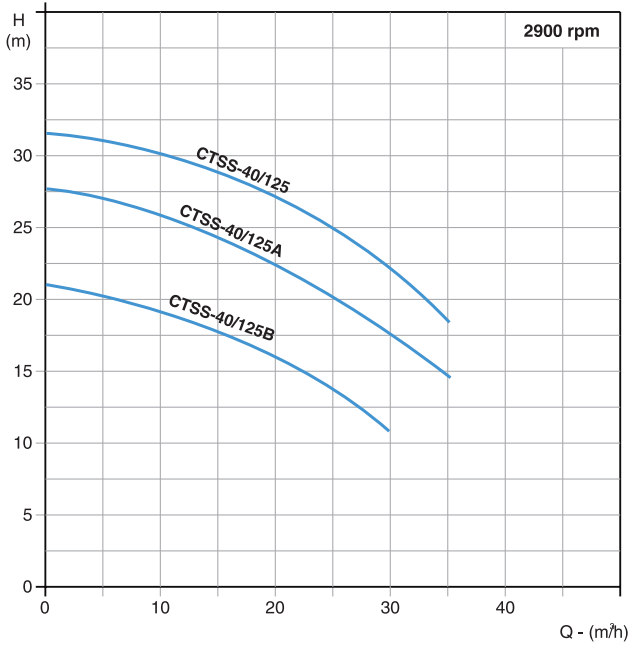
Curve tolerance according to ISO 9906, Grade 3B.
 In view of continuous developments the information / performance / descriptions / specifications / illustrations are subject to without notice.

Centrifugal Pumps - Stainless Steel

DIN Standard

CTSS SERIES

Performance Curves



Performance Table

Pump Size : 65 x 40

Pump Model	Power		Current (Amps) 3PH 380V	Flow (Q)	Head (m)												
	kW	HP			0	1.39	2.78	4.17	5.56	6.94	8.33	9.72	11.11				
				0	5	10	15	20	25	30	35	40					
CTSS-40/125B	1.5	2.0	3.5	Head (m)	21	20	19	17.5	16	13	10.5	-	-				
CTSS-40/125A	2.2	3.0	4.9		27.5	27	26	24	22	20	17	14	-				
CTSS-40/125	3.0	4.0	6.3		31.5	31	30	29	27	25	22	18	-				
CTSS-40/160	4.0	5.5	9.6		39.5	39	38	36.5	34	31	28	24	19				
CTSS-40/200B	5.5	7.5	11.1		48	47	46	45.5	44	41	38	34	30				
CTSS-40/200A	7.5	10	14.9		52.5	52	51.5	51	50	48	45	42	38				
CTSS-40/200	11	15	21.2		69.5	69	69	68.5	68	68	66	64	60				

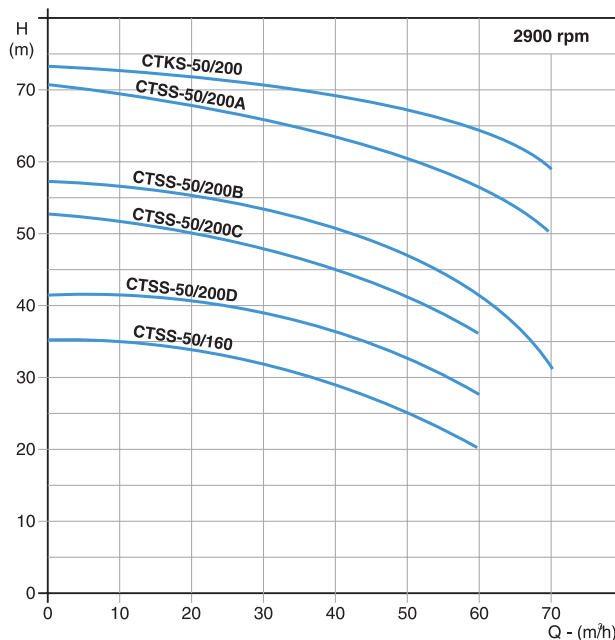
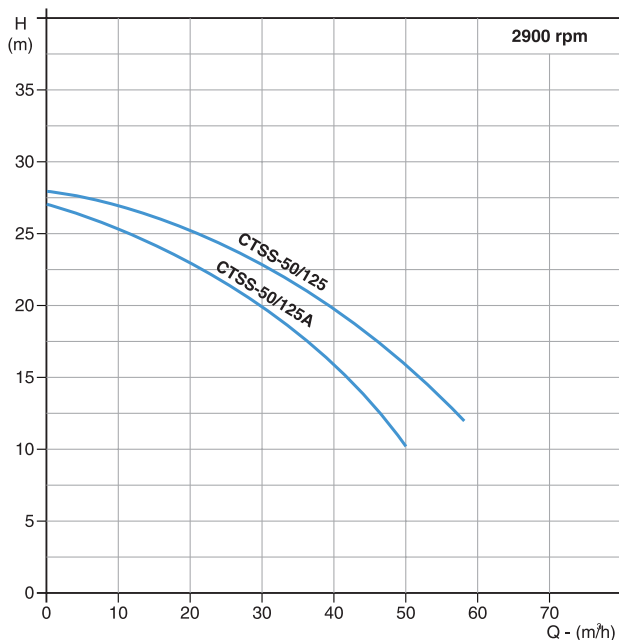
Curve tolerance according to ISO 9906, Grade 3B.
 In view of continuous developments the information / performance / descriptions / specifications / illustrations are subject to without notice.

Centrifugal Pumps - Stainless Steel

DIN Standard

CTSS SERIES

Performance Curves



Performance Table

Pump Size : 65 x 50

Pump Model	Power		Current (Amps) 3PH 380V	Flow (Q)	Head (m)												
	kW	HP			0	1.39	2.78	5.56	18.33	11.11	13.89	16.67	19.44				
				0	5	10	20	30	40	50	60	70					
CTSS-50/125A	3.0	4.0	6.3	Head (m)	27.5	27	26	23	20	16	10	-	-				
CTSS-50/125	4.0	5.5	9.6		28.2	28	27	26	24	21	16	-	-				
CTSS-50/160	5.5	7.5	11.1		35	34.5	34.5	34	31.5	28.5	24	20	-				
CTSS-50/200D	7.5	10	14.9		41.3	41	41	40.5	39	36	32	27.5	-				
CTSS-50/200C	9.2	12.5	18.3		52.5	52	52	51	49	45	41	37	-				
CTSS-50/200B	11	15	21.2		57.3	57	56	55	53	51	48	42	30				
CTSS-50/200A	15	20	28.6		70.2	69	68	67	65	64	62	57	50				
CTKS-50/200	18.5	25	34.7		73.5	73	72	71	70	69	68	65	59				

Curve tolerance according to ISO 9906, Grade 3B.

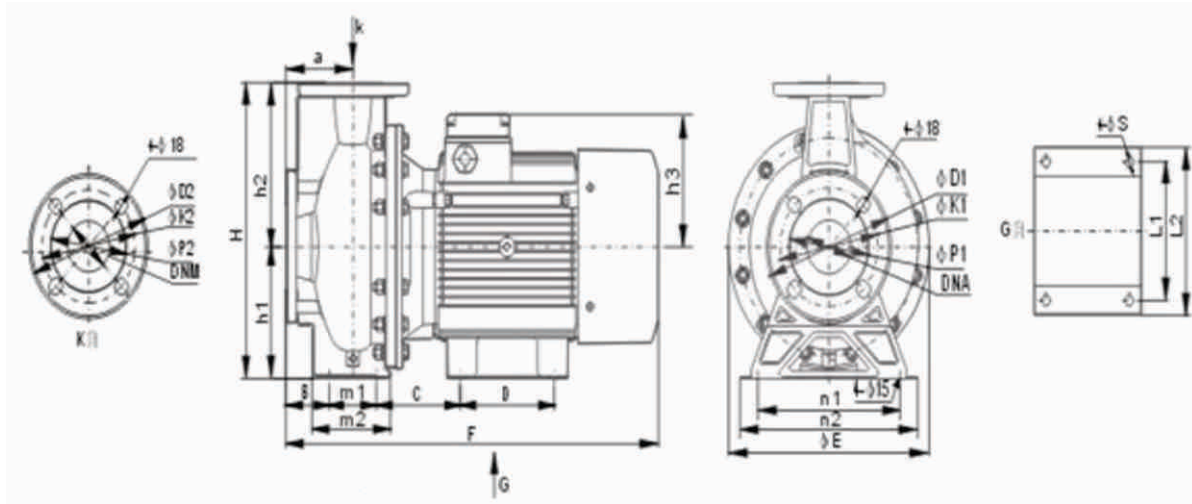
In view of continuous developments the information / performance / descriptions / specifications / illustrations are subject to without notice.

Centrifugal Pumps - Stainless Steel

DIN Standard

CTSS SERIES

General Arrangement Drawing (GAD), Dimensions and Weight



Pump Model	Power (kW)	ØE	F	H	h1	h2	h3	a	m1	m2	n1	n2	B	C	D	ØS	L1	L2	ØD1	ØK1	ØP1	ØD2	ØK2	ØP2	DNs	DNd	Net Wt (kg)
CTSS-32/160B	1.1	210	395	255	112	143	134	80	70	115	160	190	45	95	90	12	125	155	165	125	96	140	100	76	50	32	21.5
CTSS-32/160A	1.5	210	395	255	112	143	134	80	70	115	160	190	45	95	90	12	125	155	165	125	96	140	100	76	50	32	22.5
CTSS-32/160	2.2	210	428	255	112	143	119	80	70	115	160	190	45	111	100	12	160	190	165	125	96	140	100	76	50	32	31
CTSS-32/200B	3.0	300	460	340	160	180	119	80	70	118	190	240	45	109	100	12	160	190	165	125	96	140	100	76	50	32	38
CTSS-32/200A	4.0	300	520	340	160	180	162	80	70	118	190	240	45	122	140	15	190	225	165	125	96	140	100	76	50	32	54
CTSS-32/200	5.5	300	593	340	160	180	182	80	70	118	190	240	45	161	140	15	216	255	165	125	96	141	100	76	50	32	62.3
CTSS-40/125B	1.5	210	395	255	112	143	134	80	70	115	160	190	45	95	90	12	125	155	185	145	115	150	110	80	65	40	21
CTSS-40/125A	2.2	210	425	255	112	143	119	80	70	115	160	190	45	111	100	12	160	190	185	145	115	150	110	80	65	40	29
CTSS-40/125	3.0	250	460	292	132	160	119	80	70	118	190	240	45	111	100	12	160	190	185	145	115	150	110	80	65	40	37
CTSS-40/160	4.0	250	520	292	132	160	162	80	70	118	190	240	45	148	140	15	190	230	185	145	115	150	110	80	65	40	49.5
CTSS-40/200B	5.5	300	615	360	160	200	182	100	70	118	212	264	65	161	140	15	216	255	185	145	115	150	110	80	65	40	62.5
CTSS-40/200A	7.5	300	615	360	160	200	182	100	70	118	212	264	65	161	140	15	216	255	185	145	115	150	110	80	65	40	74
CTSS-40/200	11	350	671	360	160	200	255	100	70	118	212	264	65	147	210	15	254	320	185	145	115	150	110	80	65	40	93
CTSS-50/125A	3.0	250	455	292	132	160	119	80	70	115	190	240	45	110	100	12	160	190	185	145	115	165	125	96	65	50	37.5
CTSS-50/125	4.0	250	520	292	132	160	162	80	70	115	190	240	45	148	140	15	190	230	185	145	115	165	125	96	65	50	49.5
CTSS-50/160	5.5	300	615	360	160	200	182	100	70	118	212	264	65	161	140	15	216	255	185	145	115	165	125	96	65	50	62.5
CTSS-50/200D	7.5	300	615	360	160	200	182	100	70	118	212	264	65	161	140	15	216	255	185	145	115	165	125	96	65	50	73
CTSS-50/200C	9.2	300	617	360	160	200	182	100	70	118	212	264	65	161	140	15	216	255	185	145	115	165	125	96	65	50	82
CTSS-50/200B	11	350	671	360	160	200	255	100	70	118	212	264	65	147	210	15	254	320	185	145	115	165	125	96	65	50	93
CTSS-50/200A	15	350	671	360	160	200	255	100	70	118	212	264	65	147	210	15	254	320	185	145	115	165	125	96	65	50	107
CTKS-50/200	18.5	350	715	360	160	200	255	100	70	118	212	264	65	147	254	15	254	320	185	145	115	165	125	96	65	50	158

* All Dimensions are in mm.

W I N N I N G W A Y S

When you have a good thing going it is quite in the fitting of things that recognitions come our way. Several prestigious awards, which decorate our shelf, say it all. These rewards not only acknowledge our position as a leader in the water pump industry but also serve as reminders about what the customer expects from a winner. And we, as ever, have our ears perfectly tuned to customer expectations.



C.R.I. PUMPS (PVT) LIMITED

(International Division)

7/46-1, Keeranatham Road, Saravanampatty, Coimbatore - 641 035. Tamil Nadu, India.

Phone : +91-422-7117310, 7117312, Fax : +91-422-7117300, e-mail : cri@crifluidsystems.com website : www.crifluidsystems.com

BOMBAS C.R.I. ESPAÑA, S.L.

Poligono Industrail El.Bony Calle 31, No. 137,
46470 Catarroja Valencia, Spain, 46470

Phone : +34-96 1842 974, Fax : +34-96 1842 977

E-mail : admin-es@crifluidsystems.com, www.crifluidsystems.com

BOMBAS C.R.I. ESPAÑA S.L. UNIPERSONAL

Via del Progresso 9/13, Pieve Emanuele, 20090, Milano, Italy

E-mail : admin-it@crifluidsystems.com

Website : www.crifluidsystems.com

C.R.I. PUMPS S.A. (PTY) LIMITED

Stand 63, Capital Hill Commercial Estate, Cnr. K101 & Le Roux Avenue,
Midrand -1685, Johannesburg. South Africa

Phone : +27 11 8058631 /32, Fax : +27-11-8058630

E-mail : cri-za@crifluidsystems.com, Web : www.crifluidsystems.com

Branches : Capetown : +27-21-9499122

Durban : +27-31-7001814

PT. CRI FLUID SYSTEMS

Boutique Office Jalan Kawasan Industri & Pergudangan Marunda Center Blok C
No. 10, Kelurahan, Segaramakmur, Kecamatan Tarumajaya Kabupaten, Bekasi,
Jawa Barat, Indonesia -17211. Telepon : 021 88998118

E-mail : sales.id@crifluidsystems.com, Website : www.crifluidsystems.com

C.R.I. FLUID SYSTEMS (BD) LTD.,

1-Dilkusha C/A, Hotel Purbani Annex -2, 4th Floor,
Dhaka-1000, Bangladesh.

E-mail : cri@crifluidsystems.com

Website: www.crifluidsystems.com

C.R.I. FLUID SYSTEMS USA LLC

620 N Fairfield St, Amarillo, Texas 79107, USA

Tel : 832-430-4660

E-mail : sales.us@crifluidsystems.com

Website : www.crifluidsystems.com

C.R.I. FLUID SYSTEMS MEXICO S.DE R.L. DE C.V

Cuidad De Mexico,

Mexico

e-mail : sales.mx@crifluidsystems.com

website : www.crifluidsystems.com

C.R.I. BOMBAS HIDRÁULICAS LTDA

Av. Rodrigo Fernando Grillo, 457, Jd. Manacas,

CEP - 14.801-534, Araraquara - SP, Brasil.

Fone : +55-16-3331 1099, Fax : +55-16-3331 5344

e-mail : cri@cribombas.com.br website : www.cribombas.com.br

Filial : Jaboatão dos Guararapes-PE, Brasil.

Fone : (81) 3093-9620, Fax : (81) 3093-9600.

C.R.I. PUMPS (Shanghai) Co., Ltd.

Room 510, No 1855 Qixin Road,

Minhang District, Shanghai - 201101 China.

Tel : +86-21-54405082, Fax : +86-21-54405083

e-mail : sales-chn@crifluidsystems.com

website : www.crifluidsystems.com

C.R.I. FLUID SYSTEMS INC.,

Polyland Industrial Subdivision, Warehouse #3, Block 4,
Kendex St., Bo. Iba, Meycauayan, Bulacan.. Zip-3017. Philippines

Phone : +63 44 762 8887 / +63 44 802 6199, Fax : +63 44 762 8883

Website : www.crifluidsystems.com

C.R.I. PUMPS (FZC)

P.O. Box 7988, A4-12 SAIF-Zone, Sharjah, U.A.E. Tel : +971-6-5573041 (3 Lines), Fax : +971-6-5573042

e-mail : cri-uae@crifluidsystems.com website : www.crifluidsystems.com