

# WATER FILLED REWINDABLE SUBMERSIBLE MOTORS

Nominal Diameter : **8"**

**"W"** Series

## Technical Specifications

Nominal Dia	<b>8"</b>
Maximum Outer Diameter	193 mm ( 37 - 93 kW) & 197mm (110 kW)
Power Range	37 - 110 kW - Three Phase
Speed	2900 rpm
Version	Three Phase - 380-415V & 525V, 50Hz, A.C Supply
Class of Insulation	Y
Degree of Protection	IP68
Direction of Rotation	Electrically Reversible
Type of Duty	S1 (Continuous)
Down Thrust Load	45500 N
Minimum Cooling Flow Along the Motor	0.16 m/sec
Maximum Liquid Temperature	Standard - 35°C, Optional : High Temp - 50°C
Max. Starts per Hour	10 Times
Shaft End	Splines
Mounting Standard	8" NEMA
Method of Starting	Direct On Line (DOL)
	Star Delta (SD)
Cable Lead out	Permanently Connected and Sealed 3/6 Core EPDM Rubber Insulated Flat Cable
Thermal Protection	Optional - PT 100 Sensor

\* Optional : Fluoroelastomer Polymer (Fkm - Viton)



# WATER FILLED REWINDABLE SUBMERSIBLE MOTORS

Nominal Diameter : **8"**

**"W"** Series

## Material of Construction

PART NAME	MATERIAL - W8B		
	EUROPEAN	DIN	AISI / SAE
Thrust Base Housing, Upper & Lower Housing	Cast Iron - EN-GJL-250	GG25	ASTM A48 Class 30 B
Thrust Pad	X12 Cr14 with Graphite Carbon	1.4008 with Graphite Carbon	ASTM A743 CA15 with Graphite Carbon
Thrust Base	Cast Iron - EN-GJL-250 Base with X20Cr14 Segment	GG25 Base with 1.4027 Segment	ASTM A48 Class 30 B Base with ASTM A743 CA40 Segment
Bush Bearing	Graphite Carbon	Graphite Carbon	Graphite Carbon
Shaft Seal	Mechanical Seal (Carbon & Ceramic)	Mechanical Seal (Carbon & Ceramic)	Mechanical Seal (Carbon & Ceramic)
Diaphragm	HNBR (ASTM -D2000)	HNBR (ASTM -D2000)	HNBR (ASTM -D2000)
O Ring & Oil seal	Standard - NBR (Buna - N) Optional : Fluoroelastomer Polymer (FKM - Viton)	Standard - NBR (Buna - N) Optional : Fluoroelastomer Polymer (FKM - Viton)	Standard - NBR (Buna - N) Optional : Fluoroelastomer Polymer (FKM - Viton)
Stator Shell	X5CrNi 18 9	1.4301	ASTM A240 AISI 304
Shaft	EN8 with X17CrNi 16 2 Sleeve	CK45 (1.1191) with 1.4057 sleeve	ASTM A240 AISI 304 & NBR (Buna - N)
Sand Guard (Stainless Steel & Rubber)	X5CrNi 18 9 & NBR (Buna - N)	1.4301 & NBR (Buna - N)	ASTM A240 AISI 304 & Nitrile Rubber (NBR) / Buna-N
Shaft extention	X12 Cr13	1.4006	ASTM A276 AISI 410

## Material of Construction

PART NAME	MATERIAL - W8S		
	EUROPEAN	DIN	AISI / SAE
Thrust Base Housing, Upper & Lower Housing	X5CrNi 18 9	1.4308	ASTM A351 CF8
Thrust Pad	X12 Cr14 with Graphite Carbon	1.4008 with Graphite Carbon	ASTM A743 CA15 with Graphite Carbon
Thrust Base	Cast Iron - EN-GJL-250 Base with X20Cr14 Segment	GG25 Base with 1.4027 Segment	ASTM A48 Class 30B Base with ASTM A743 CA40 Segment
Bush Bearing	Graphite Carbon	Graphite Carbon	Graphite Carbon
Shaft Seal	Mechanical Seal (Carbon & Ceramic)	Mechanical Seal (Carbon & Ceramic)	Mechanical Seal (Carbon & Ceramic)
Diaphragm	HNBR (ASTM -D2000)	HNBR (ASTM -D2000)	HNBR (ASTM -D2000)
O Ring & Oil seal	Standard - NBR (Buna - N) Optional : Fluoroelastomer Polymer (FKM - Viton)	Standard - NBR (Buna - N) Optional : Fluoroelastomer Polymer (FKM - Viton)	Standard - NBR (Buna - N) Optional : Fluoroelastomer Polymer (FKM - Viton)
Stator Shell	X5CrNi 18 9	1.4301	ASTM A240 AISI 304
Shaft	EN8 with X17CrNi 16 2 Sleeve	CK45 (1.1191) with 1.4057 sleeve	ASTM A29 AISI 1045 with ASTM A276 AISI 431 Sleeve
Sand Guard (Stainless Steel & Rubber)	X5CrNi 18 9 & Nitrile Rubber (NBR) / Buna-N	1.4301 & NBR (Buna - N)	ASTM A240 AISI 304 & NBR (Buna - N)
Shaft extention	X12 Cr13	1.4006	ASTM A276 AISI 410

In view of continuous developments, the informations / descriptions / specifications / illustrations are subject to change without notice.

# WATER FILLED REWINDABLE SUBMERSIBLE MOTORS

Nominal Diameter : **8"**

**"W"** Series

## Material of Construction

PART NAME	MATERIAL - W8T		
	EUROPEAN	DIN	AISI / SAE
Thrust Base Housing, Upper & Lower Housing	X5CrNiMo 18 10	1.4408	ASTM A351 CF8M
Thrust Pad	X12 Cr14 with Graphite Carbon	1.4008 with Graphite Carbon	ASTM A743 CA15 with Graphite Carbon
Thrust Base	Cast Iron - EN-GJL-250 Base with X20Cr14 Segment	GG25 Base with 1.4027 Segment	ASTM A48 Class 30B Base with ASTM A743 CA40 Segment
Bush Bearing	Graphite Carbon	Graphite Carbon	Graphite Carbon
Shaft Seal	Mechanical Seal (Carbon & Ceramic)	Mechanical Seal (Carbon & Ceramic)	Mechanical Seal (Carbon & Ceramic)
Diaphragm	HNBR (ASTM -D2000)	HNBR (ASTM -D2000)	HNBR (ASTM -D2000)
O Ring & Oil Seal	Standard - NBR (Buna - N) Optional : Fluoroelastomer Polymer (FKM - Viton)	Standard - NBR (Buna - N) Optional : Fluoroelastomer Polymer (FKM - Viton)	Standard - NBR (Buna - N) Optional : Fluoroelastomer Polymer (FKM - Viton)
Stator Shell	X5CrNiMo 18 10	1.4401	ASTM A240 AISI 316
Shaft	EN8 with X17CrNi 16 2 Sleeve	CK45 (1.1191) with 1.4057 sleeve	ASTM A29 AISI 1045 with ASTM A276 AISI 431 Sleeve
Sand Guard (Stainless Steel & Rubber)	X5CrNiMo 18 10 & NBR (Buna - N)	1.4401 & NBR (Buna - N)	ASTM A240 AISI 316 & NBR (Buna - N)
Shaft extention	X12 Cr13	1.4006	ASTM A276 AISI 410

# WATER FILLED REWINDABLE SUBMERSIBLE MOTORS

Nominal Diameter : **8"**

**"W"** Series

## Electrical Data

### 8" THREE PHASE 380V, D.O.L. & S.D MOTORS

Model		Power		Full Load Max (A)	Starting Current (A)	Full load		Max. Down Thrust Load (N)	Starting Torque (Nm)	Torque (Nm)
DOL	SD	kW	HP			Eff.%	Power Factor			
W8B-370T	W8B-370D	37	50	69	256	83.6	0.82	45500	160	122
W8B-450T	W8B-450D	45	60	94.5	288	84	0.88	45500	225	148
W8B-550T	W8B-550D	55	75	116	375	84.5	0.88	45500	310	182
W8B-630T	W8B-630D	63	85	130	467	85	0.85	45500	350	208
W8B-750T	W8B-750D	75	100	156	542	85	0.84	45500	420	248
W8B-930T	W8B-930D	93	125	186	582	87	0.84	45500	570	308
-	W8B-A10D	110	150	230	718	87	0.86	45500	741	363

### 8" THREE PHASE 400V, D.O.L. & S.D MOTORS

Model		Power		Full Load Max (A)	Starting Current (A)	Full load		Max. Down Thrust Load (N)	Starting Torque (Nm)	Torque (Nm)
DOL	SD	kW	HP			Eff.%	Power Factor			
W8B-370T	W8B-370D	37	50	75	270	84.5	0.81	45500	180	122
W8B-450T	W8B-450D	45	60	90	303	85	0.87	45500	250	148
W8B-550T	W8B-550D	55	75	114	395	85.8	0.87	45500	348	181
W8B-630T	W8B-630D	63	85	127	491	86	0.84	45500	380	207
W8B-750T	W8B-750D	75	100	148	570	85	0.86	45500	480	247
W8B-930T	W8B-930D	93	125	188	613	87	0.85	45500	660	307
-	W8B-A10D	110	150	227	750	87	0.83	45500	858	362

### 8" THREE PHASE 415V, D.O.L. & S.D MOTORS

Model		Power		Full Load Max (A)	Starting Current (A)	Full load		Max. Down Thrust Load (N)	Starting Torque (Nm)	Torque (Nm)
DOL	SD	kW	HP			Eff.%	Power Factor			
W8B-370T	W8B-370D	37	50	80	280	86	0.80	45500	200	122
W8B-450T	W8B-450D	45	60	92	315	85	0.85	45500	268	149
W8B-550T	W8B-550D	55	75	112	410	87	0.85	45500	370	180
W8B-630T	W8B-630D	63	85	126	510	86	0.84	45500	410	206
W8B-750T	W8B-750D	75	100	151	592	89	0.84	45500	520	246
W8B-930T	W8B-930D	93	125	188	636	87	0.83	45500	680	306
-	W8B-A10D	110	150	225	785	87	0.81	45500	884	361

### 8" THREE PHASE 525V, D.O.L. & S.D MOTORS

Model		Power		Full Load Max (A)	Starting Current (A)	Full load		Max. Down Thrust Load (N)	Starting Torque (Nm)	Torque (Nm)
DOL	SD	kW	HP			Eff.%	Power Factor			
W8B-370TN	W8B-370DN	37	50	60	240	85	0.82	45500	290	123
W8B-450TN	W8B-450DN	45	60	75	360	85	0.82	45500	320	154
W8B-550TN	W8B-550DN	55	75	92	370	85	0.84	45500	450	185
W8B-630TN	W8B-630DN	63	85	103	415	86	0.88	45500	500	211
W8B-750TN	W8B-750DN	75	100	118	472	87	0.9	45500	620	251
W8B-930TN	W8B-930DN	93	125	145	580	87	0.88	45500	685	311

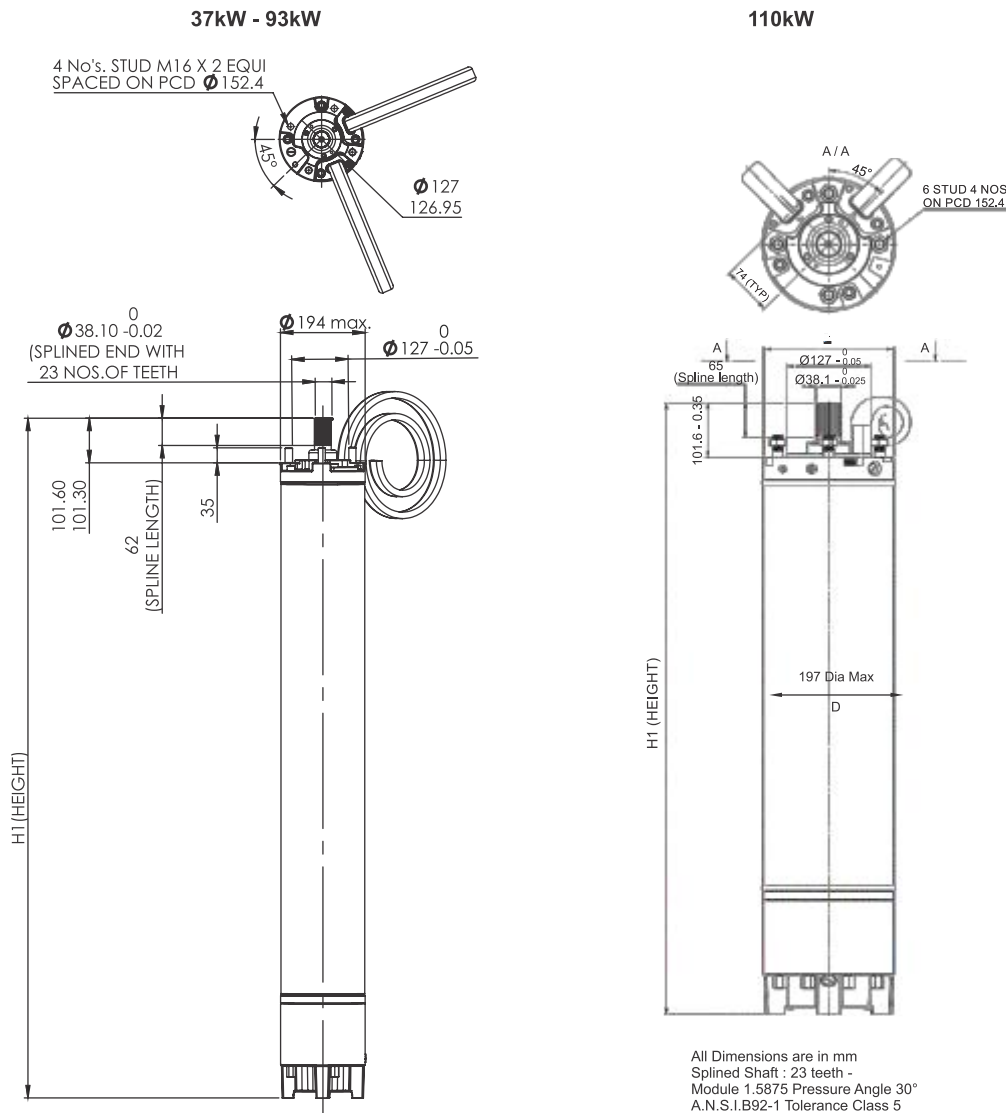
# WATER FILLED REWINDABLE SUBMERSIBLE MOTORS

Nominal Diameter : **8"**

**"W"** Series

## Electrical Data

General Arrangement Drawing(GAD)



### DIMENSIONS AND WEIGHT DATA

Model	Power		*Method of Starting	Dimension (mm)		Net Weight (kg)	Cable Leadout				
	kW	HP		D	H1		415 Cable Size (Sq.mm)		525 Cable Size (Sq.mm)		Cable Length(m)
							D.O.L	S.D	D.O.L	S.D	
W8B-370	37	50	T / D	193	1155	141	16	10	16	10	4
W8B-450	45	60	T / D	193	1195	156	16	10	16	10	4
W8B-550	55	75	T / D	193	1275	167	25	10	25	10	5
W8B-630	63	85	T / D	193	1345	180	35	16	25	16	5
W8B-750	75	100	T / D	193	1455	200	35	16	35	16	5
W8B-930	93	125	T / D	193	1550	220	35	16	35	16	5
W8B-A10	110	150	T / D	197	1656	257	35	35	35	35	5

\* METHOD OF STARTING : T - 3P / DOL / 50Hz      D - 3P / SD / 50Hz