



<b>Project Name</b> : Untitled project 2025-03-17 22:59:31.006	<b>Project ID</b> :
<b>Company Name</b> :	
<b>Department</b> :	
<b>Phone number</b> :	
<b>e-mail address</b> :	

## Requested Data

<b>Flow</b> : 9.753 m <sup>3</sup> /h	<b>Fluid</b> : Water
<b>Head</b> : 101.9 m	<b>Density</b> : 0.9983 kg/dm <sup>3</sup>
	<b>Viscosity</b> : 1.005 mm <sup>2</sup> /s
	<b>Temperature</b> : 20 °C
	<b>Vapour pressure at t A</b> : 0.0234 bar

## Pump

## Operating Data

<b>Pump Model</b> : MVS-10/12T	<b>Flow</b> : 9.741 m <sup>3</sup> /h
<b>No. of Stages</b> : 12	<b>Head</b> : 101.7 m
<b>Inlet / Outlet size</b> : 42	<b>Shutoff Head</b> : 123.7 m
<b>Speed</b> : 2900 1/min	<b>Efficiency</b> : 68.91 %
<b>Direction of Rotation</b> : Counter clockwise	
<b>Impeller type</b> : Radial impeller	
<b>Impeller Design</b> : Closed	
<b>Pump Weight (Approx)</b> : 39.5 kg	
<b>Pump Standard</b> : CRI Standard	

## Motor

<b>Motor Model</b> : MV 3P 5.5HP (IE2) (220-415V)	<b>Insulation Class</b> : F
<b>Frequency/Efficiency class</b> : 50 Hz IE2 = High Efficiency	<b>Frame size</b> : 100
<b>Rated Voltage</b> : 380V-415V $\lambda$ / 220V-240V $\Delta$	<b>Degree of Protection</b> : IP 55
<b>Rated current</b> : 9.1A / 15.8A	<b>Method of Starting</b> : Direct starting
<b>Phase / Rated Power P2</b> : 3~ 4 kW	<b>Service factor</b> : 1
<b>Speed</b> : 2820 1/min	<b>Power factor</b> : 0.76
<b>Efficiency</b> : 85.8 %	
<b>Motor Weight (Approx)</b> : 22.3 kg	
<b>Motor Standard</b> : IEC-60034-30 / IS-12615	

## Material of Construction

## Flange Connections

<b>Pump Outer Shell</b> : AISI 304	<b>Suction Flange</b> <b>Pressure rating</b> : PN 16 <b>Nominal pipe size</b> : DN 40 <b>Standard</b> : DIN EN 1092-1:2008-09  <b>Discharge Flange</b> <b>Pressure rating</b> : PN 16 <b>Nominal pipe size</b> : DN 40 <b>Standard</b> : DIN EN 1092-1:2008-09
<b>Pump Head</b> : C.I	
<b>Pump Head Cover</b> : AISI 304	
<b>Pump Base</b> : AISI 304	
<b>Base Plate</b> : C.I	
<b>Impeller</b> : AISI 304	
<b>MECHANICAL SEAL</b> : SiC/SiC/FKM	
<b>Bush</b> : SiC / SiC	
<b>Diffuser (Chamber)</b> : AISI 304	
<b>Pump Shaft</b> : AISI 431	
<b>Wearing Ring</b> : Teflon	
<b>O Ring</b> : EPDM	
<b>Coupling</b> : Mild Steel	



# Performance Curve

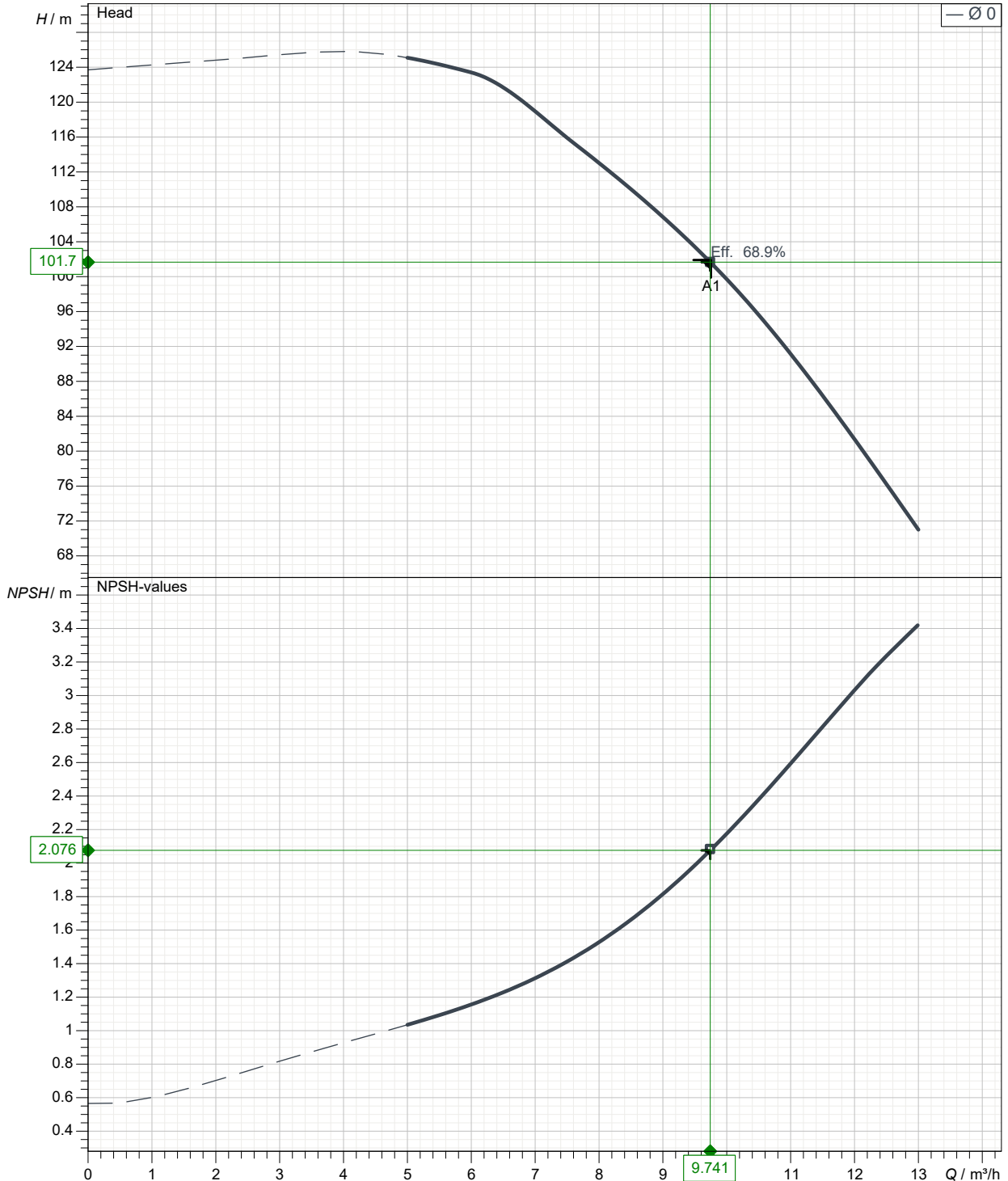
**Project Name** : Untitled project 2025-03-17 22:59:31.006

**Project ID** :

**Company Name** :  
**Department** :  
**Phone number** :  
**e-mail address** :

**Curve Tolerance** ISO : 9906, Grade-3B

**Speed** 2900 rpm

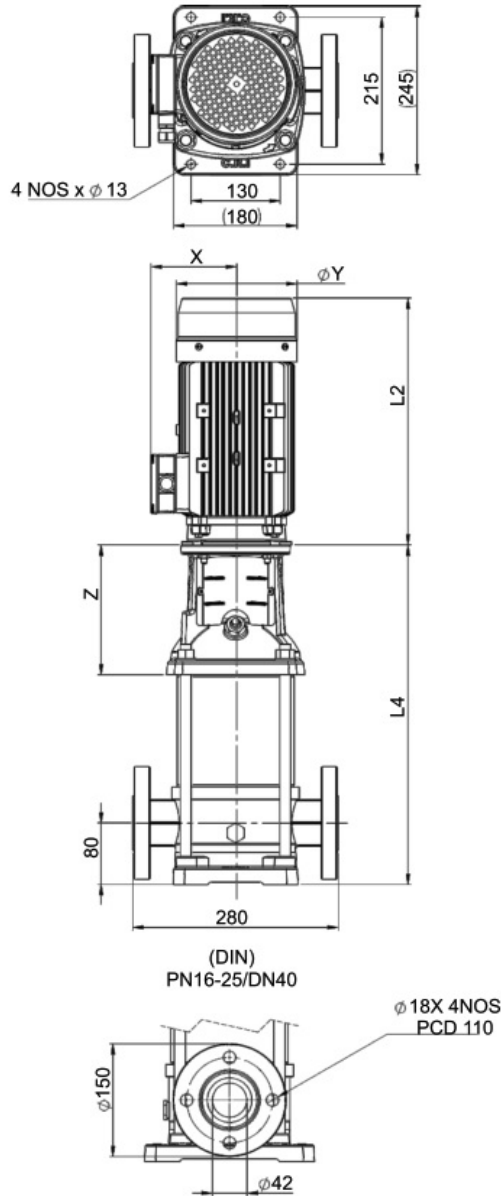




**Project Name** : Untitled project 2025-03-17 22:59:31.006

**Project ID** :

**Company Name** :  
**Department** :  
**Phone number** :  
**e-mail address** :



In View of continuous developments, The information/specifications/Description/ Illustrations are subject to change without notice.

### Dimensions inmm

L2	315		
L4	660		
X	132		
Y	197		
Z	190		