



**MV & MH Series - 50Hz**

Vertical & Horizontal  
Multistage Pumps



## T H E B E G I N N I N G

of C.R.I., way back in 1961, was a resolute attempt to produce a few irrigation equipments using the limited facilities of an in-house foundry. Eventually the founder's dream was coming true as the small production unit he started kept growing rapidly. Now, after more than five eventful decades, it is an enormous, widely reputed organization, which produces more than 2300 varieties of perfectly engineered pumps and motors and sells its products in numerous countries spread across 6 continents.

## C . R . I . I S O N E A M O N G

the few pioneers in the world to produce 100% stainless steel submersible pumps. Having achieved a record production capacity of over 2 million pumps per annum, today C.R.I. is rubbing its shoulders with the best brands in the world, with advanced technology and safety standards as its hallmarks.

## T H E I N F R A S T R U C T U R E

of C.R.I. is pretty comprehensive with state-of-the-art machineries and high potential in-house R&D recognised by the ministry of science and technology, Govt. of India - all within its own covered area of 300,000 square metres. The production environment is accredited with ISO 9001, and the products are CE, IEC, TSE & ISI certified. The R&D team always stays in tune with the changing scenario and seldom fails in coming up with outstanding solutions every time.

## N E E D L E S S T O S A Y ,

behind this legendary growth lies the untiring, innovative, enthusiastic and dedicated team work. and, of course, a flawlessly maintained value system too. The name C.R.I. itself encapsulates the company's ethos: "Commitment, Reliability, Innovation".





**C.R.I. PUMPS**  
Pumping trust... Worldwide.

## Vision, Mission and values

To be the industry leader providing best - in - class fluid management solutions to individual and institutional customers and societies in our chosen markets.

We will achieve this through our dedicated efforts to enhance the welfare of all our stakeholders and by living by our values of commitment, reliability and Innovation.

## CONTENTS

---

### MULTISTAGE VERTICAL INLINE PUMPS - MV SERIES

Description, Feature, Application & Performance Curve Conditions.....	3
Operating Data, Motor Specifications & Model Identification Code .....	4
Inlet Pressure Calculation .....	5
Materials of Construction .....	6
Group Performance Curve .....	7
Exploded Views .....	8 - 11
GAD, Dimension, Weight Data, Performance Curve and Table .....	12 - 53

### MULTISTAGE HORIZONTAL PUMPS - MH SERIES

Description, Feature, Application, Performance Curve Conditions & MOC.....	54
Operating Data, Motor Specifications & Model Identification Code .....	55
Performance Curve & Table .....	56 - 59
GAD, Dimension & Weight Data .....	60

Conversion Table .....	61
------------------------	----

## MULTI STAGE VERTICAL INLINE PUMPS - MV SERIES (50Hz)

Multistage vertical inline pumps are single or multistage type supplied with radial or mixed flow impeller for higher head and flow requirement. These pumps are available in different materials of construction and all wetted parts are made of corrosion resistant stainless-steel material. A preassembled cartridge mechanical seal is used for easy maintenance without disassembling the pump. The inline design simplifies pipework and offers great savings in floor space compared to horizontal pumps. These pumps are ideally suitable for high pressure and constant pressure applications. Inline pumps are offered as pump end or pumpset with TEFC / IEC single phase motors upto 2.2kW and three phase premium efficiency motors for entire range of pumps.

### DESIGN FEATURE :

- High efficiency
- Wide hydraulic ranges
- Stainless steel wetted parts
- Space saving compact design
- Thermal protection in single phase motor
- Pump with DIN flanges

### APPLICATION :

- Utility water supply in industries and buildings
- Pressure Boosting system
- RO System
- High pressure application in industries
- Boiler feed application
- Jockey application in firefighting system
- Industrial washing and cleaning system
- Hot water transfer and circulation
- Agriculture

## PERFORMANCE CURVE CONDITIONS

The Performance curve shows the pump performance at rated Voltage & speed. The measurements were made with airless water at 20°C and specific gravity of 1. A pumped fluid with a density higher than that of water requires a motor with a correspondingly higher output. Pipe friction losses have not been included in the performance curves and performance tables. The bold curve indicates the recommended operating range. Q/H : The curves are inclusive of check valve and suction Inter-connector losses. Efficiency curve : " $\eta$ " shows pump stage efficiency (%). Performance curve tolerances are as per HI : 14.6 / ISO: 9906, Grade 3B. Available type of materials of construction MVC (Cast Iron Base / Pump Head), MVS (AIS 304) & MVN (AISI 316). Actual performance will vary depending on voltage, total head and water column in the sump.

**OPERATING DATA - PUMP**

Flow	Upto 280m <sup>3</sup> /h
Head	Upto 320m
Power Range	0.37 - 110kW
Speed	2900rpm
Inlet size	25 - 150mm
Outlet size	25 - 150mm
Liquid Temperature	Standard: -10°C to 90°C Optional: -10°C to 120°C
Shaft seal	Default Mechanical seal Face Combination Silicon Carbide Vs Silicon Carbide/FKM ( 1to 5m <sup>3</sup> /h) Silicon Carbide Vs Silicon Carbide/FKM (10 to 20 m <sup>3</sup> /h – upto 10stage) Tungsten Carbide Vs Carbon/FKM (10 to 20 m <sup>3</sup> /h – Above 11stage) Tungsten Carbide Vs Carbon /FKM (32 to 200m <sup>3</sup> /h) Note: For high temperature models : 91°C to 120°C – There is no change in the mechanical seal face combination, but the FKM rubber part will be replaced with EPDM
Impeller Type	Enclosed Radial or mixed Flow
Maximum Working Pressure	Upto 32 bar
Flange Standard	DIN 2501
Design standard	Manufacturer standard

**MOTOR SPECIFICATIONS**

Power Range (kW)	Single Phase : 0.37 - 2.2kW Three Phase : 0.37kW - 110kW
Voltage / Frequency	Single phase : 220-230V, 50Hz, A.C. Supply Three phase : 380-415V, 50Hz A.C. supply
Speed	2900 rpm
Duty	S1 Continuous
Degree of Protection	IP 55
Class of Insulation	F
Electrical Connection	Single Phase – CSCR Three Phase – DOL / SD
IEC efficiency class - Three Phase	IE2 – Standard IE3 – Optional
Maximum Ambient Temperature	40°C
Enclosure	TEFC / IEC Motor

**MODEL IDENTIFICATION CODE**

M X X-XX / XX (X) (X) X (X) (X)

Product category  
M = Multi Stage Centrifugal Pumps  
V = Vertical

M.O.C  
Pump Outershell / Impeller / Pump Base / Suc. & Del. Ports  
C = SS 304 / SS 304 / Cast Iron / Cast Iron  
S = SS 304 / SS 304 / Cast Iron / SS 304  
N = SS 316 / SS 316 / Cast Iron / SS 316

Flow Rate in m<sup>3</sup>/h  
05 = 5 m<sup>3</sup>/h, 66 = 66 m<sup>3</sup>/h

DESCRIPTION  
"MVS-44/07BT2" denotes 44m<sup>3</sup>/h, 7 stage, Vertical inline pump with IE2 motor.  
"MVS-44/07B" denotes only pump end without motor.  
Note : Pump is supplied with round flange by default.  
Last 3 digits are applicable for pumpset.

High Eff. Motor (applicable only when supplied with IE2 & IE3 motors)  
2 for IE2 & 3 for IE3.

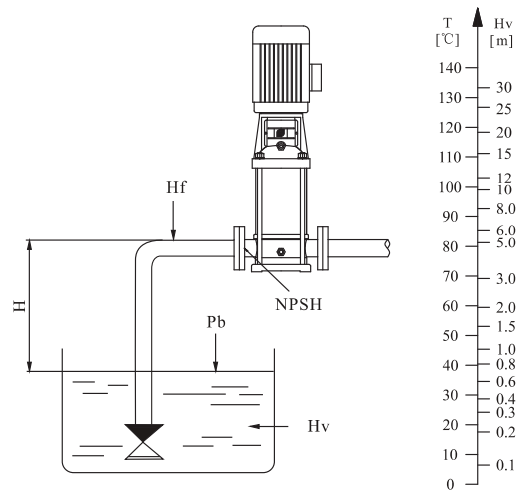
Voltage ('N' This digit is applicable except 230V 1 Ph & 380-415V 3 Ph)

Phase / Connection / Control box / Frequency  
M = 1P / PSC / 50Hz  
S = 1P / CSCR / 50Hz  
T = 3P / D.O.L / 50Hz  
D = 3P / S.D / 50Hz

Types of Port connection  
(This digit is applicable only for PJE coupling)  
P = PJE Connection (Only upto 5m<sup>3</sup>/h)

No of Trimmed Impellers  
(This digit is applicable only for pump with trimmed impeller)  
A = 1 Trimmed Impeller  
B = 2 Trimmed Impellers  
R = 1 F Reduced Impeller  
P = 2 F Reduced Impellers

In view of the continuous developments the information / Descriptions / Specifications / illustrations are subject to change without notice.

**INLET PRESSURE****MAXIMUM INLET PRESSURE**

The actual inlet pressure plus the Shut off Pressure(Head) should always be lower than the “maximum operating pressure”.

**MINIMUM INLET PRESSURE**

In case that the pressure in pump is lower than steam pressure used to convey liquid, the cavitations will occur. To avoid the cavitations, and lessen the vibration and noise, you are suggested to adopt NPSH to make sure that the pump are under optimal operation condition.

The following formula can be used for calculation of minimum inlet pressure :

$$H = Pb \times 10.2 - NPSH - Hf - Hv - Hs$$

H : Maximum suction head (m)

Pb : Atmosphere pressure (bar)

In a closed system, Pb means system pressure (bar)

NPSH : Net positive suction head (m)

It can be read from the point of Max.flow rate shown on NPSH curve.

Hf : Pipeline loss at the inlet (m)

It is in accordance with pipeline possible Max.flow.

Hv : Stream pressure (m)

It depends on liquid temperature and system pressure value.

Hs : Safety margin (m)

Minimum 0.5m delivery head

If the calculated result H is positive, the pump may run under the Max. suction head H. In case the calculated result H is negative, a delivery head of Min.inlet pressure is necessary.

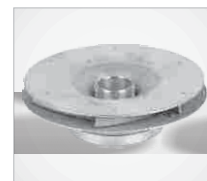
**Note:** Normally, the above calculation will not be done. H is calculated in the following conditions:

1. The liquid temperature is comparatively higher.
2. Liquid flow exceeds rated value.
3. Suction head is comparatively large or inlet pipeline long.
4. System pressure is too low.
5. Bad inlet condition.

In view of the continuous developments the information / Descriptions / Specifications / illustrations are subject to change without notice.

MATERIALS OF CONSTRUCTION

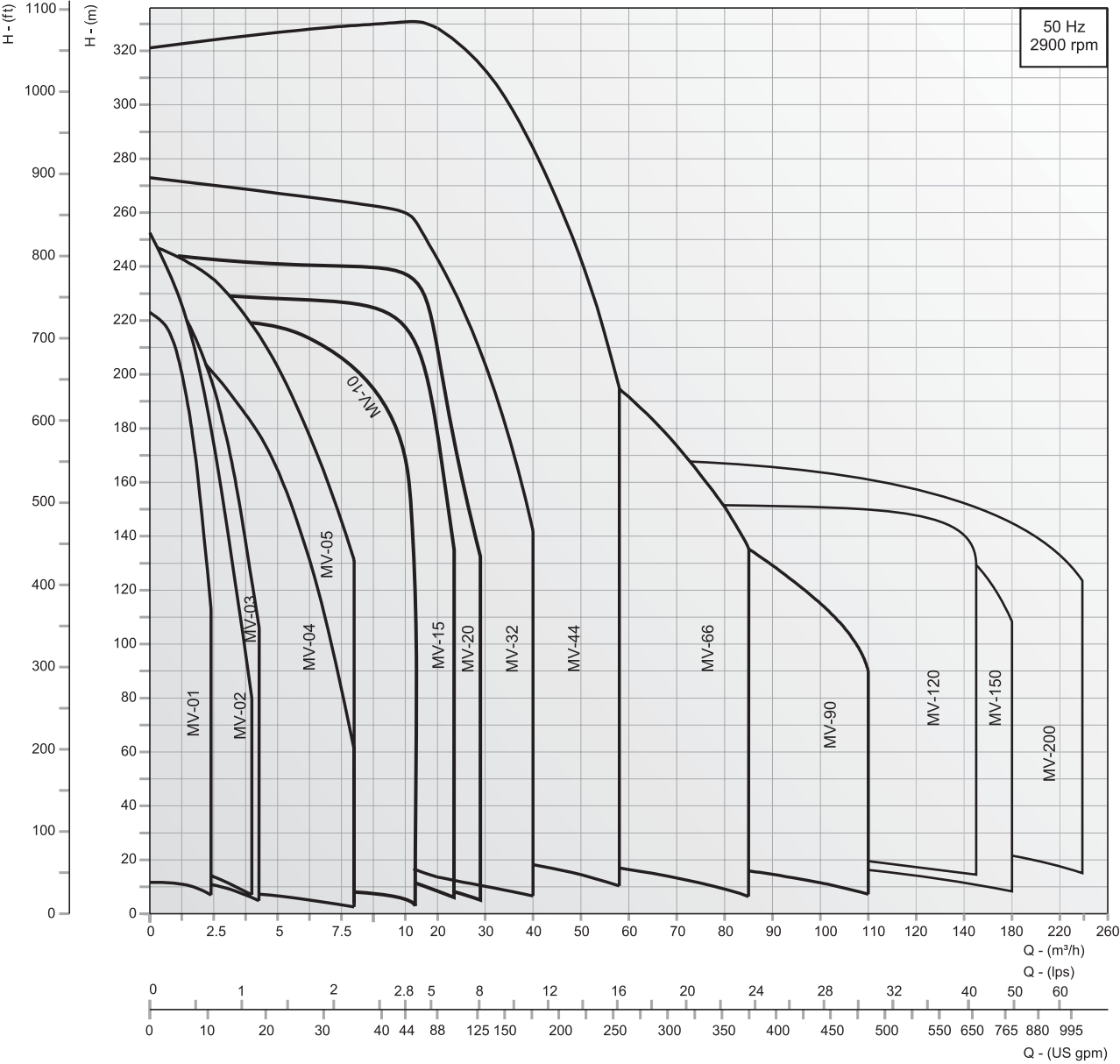
Part Name	Part No.	MVC	MVS	MVN
Impeller	19.00	AISI 304	AISI 304	AISI 316
Diffuser	18.07	AISI 304	AISI 304	AISI 316
Split cone	19.02	AISI 304	AISI 304	AISI 316
Split cone nut	19.03	AISI 304	AISI 304	AISI 316
Pump outer shell	29.06	AISI 304	AISI 304	AISI 316
Pump Head	30.00	ASTM A 25B / GG15	1-20m³/h - CAST IRON ASTM A 25B / GG15	1-20m³/h - CAST IRON ASTM A 25B / GG15
			32 - 200m³/h - CF8	32 - 200m³/h - CF8
Pump head cover	30.07	NA	1 - 20m³/h -CF8	1 - 20m³/h -CF8
			32 - 200m³/h -NA	32 - 200m³/h -NA
Pump head stool (above 32m³/h models)	30.01	CAST IRON ASTM A 25B / GG15	CAST IRON ASTM A 25B / GG15	CAST IRON ASTM A 25B / GG15
Shaft	22.00	AISI 431	AISI 431	AISI 329
Shaft seal - Mechanical Seal	16.00	Standard (upto 90°C)	Standard (upto 90°C)	Standard (upto 90°C)
		Face Combination - SiC Vs SiC/FKM (1 to 5m³/h) SiC Vs SiC /FKM (10 to 20 m³/h - upto 10 stage) TC Vs Carbon/FKM (10 to 20 m³/h-Above 11stage) TC Vs Carbon / FKM (32 to 200m³/h)	Face Combination - SiC Vs SiC/FKM (1 to 5m³/h) SiC Vs SiC /FKM (10 to 20 m³/h - upto 10 stage) TC Vs Carbon/FKM (10 to 20 m³/h-Above 11stage) TC Vs Carbon / FKM (32 to 200m³/h)	Face Combination - SiC Vs SiC/FKM (1 to 5m³/h) SiC Vs SiC /FKM (10 to 20 m³/h - upto 10 stage) TC Vs Carbon/FKM (10 to 20 m³/h-Above 11stage) TC Vs Carbon / FKM (32 to 200m³/h)
		Optional (91° - 120°C)	Optional (91° - 120°C)	Optional (91° - 120°C)
		Face Combination - SiC Vs SiC/EPDM (1 to 5m³/h) SiC Vs SiC /EPDM (10 to 20 m³/h - upto 10 stage) TC Vs Carbon/EPDM (10 to 20 m³/h-Above 11stage) TC Vs Carbon / EPDM (32 to 200m³/h)	Face Combination - SiC Vs SiC/EPDM (1 to 5m³/h) SiC Vs SiC /EPDM (10 to 20 m³/h - upto 10 stage) TC Vs Carbon/EPDM (10 to 20 m³/h-Above 11stage) TC Vs Carbon / EPDM (32 to 200m³/h)	Face Combination - SiC Vs SiC/EPDM (1 to 5m³/h) SiC Vs SiC /EPDM (10 to 20 m³/h - upto 10 stage) TC Vs Carbon/EPDM (10 to 20 m³/h-Above 11stage) TC Vs Carbon / EPDM (32 to 200m³/h)
Bush	12.03	SiC/SiC	SiC/SiC	SiC/SiC
Wear Ring	17.01	Teflon	Teflon	Teflon
Flange	29.04	SG IRON-450-10 / ASTM A536 65-45-12 / GGG40	SG IRON-450-10 / ASTM A536 65-45-12 / GGG40	SG IRON-450-10 / ASTM A536 65-45-12 / GGG40
Neck Ring	19.01	AISI 304	AISI 304	AISI 316
O rings	32.09	Standard (upto 90°C) - FKM	Standard (upto 90°C) - FKM	Standard (upto 90°C) - FKM
		Optional (91° - 120°C) – EPDM	Optional (91° - 120°C) – EPDM	Optional (91° - 120°C) – EPDM
Base Plate	24.03	NA	CAST IRON ASTM A 25B / GG15	CAST IRON ASTM A 25B / GG15
Pump Base	29.01	CAST IRON ASTM A 25B / GG15	CF8	CF8M
Coupling	22.01	MILD STEEL DIN ST37-2 / ASTM A36 - Upto 3.7kW	MILD STEEL DIN ST37-2 / ASTM A36 - Upto 3.7kW	MILD STEEL DIN ST37-2 / ASTM A36 - Upto 3.7kW
		SG IRON GGG40 / ASTM A 536 65-45-12 - Above 7.5kW	SG IRON GGG40 / ASTM A 536 65-45-12 - Above 7.5kW	SG IRON GGG40 / ASTM A 536 65-45-12 - Above 7.5kW



In view of the continuous developments the information / Descriptions / Specifications / illustrations are subject to change without notice.



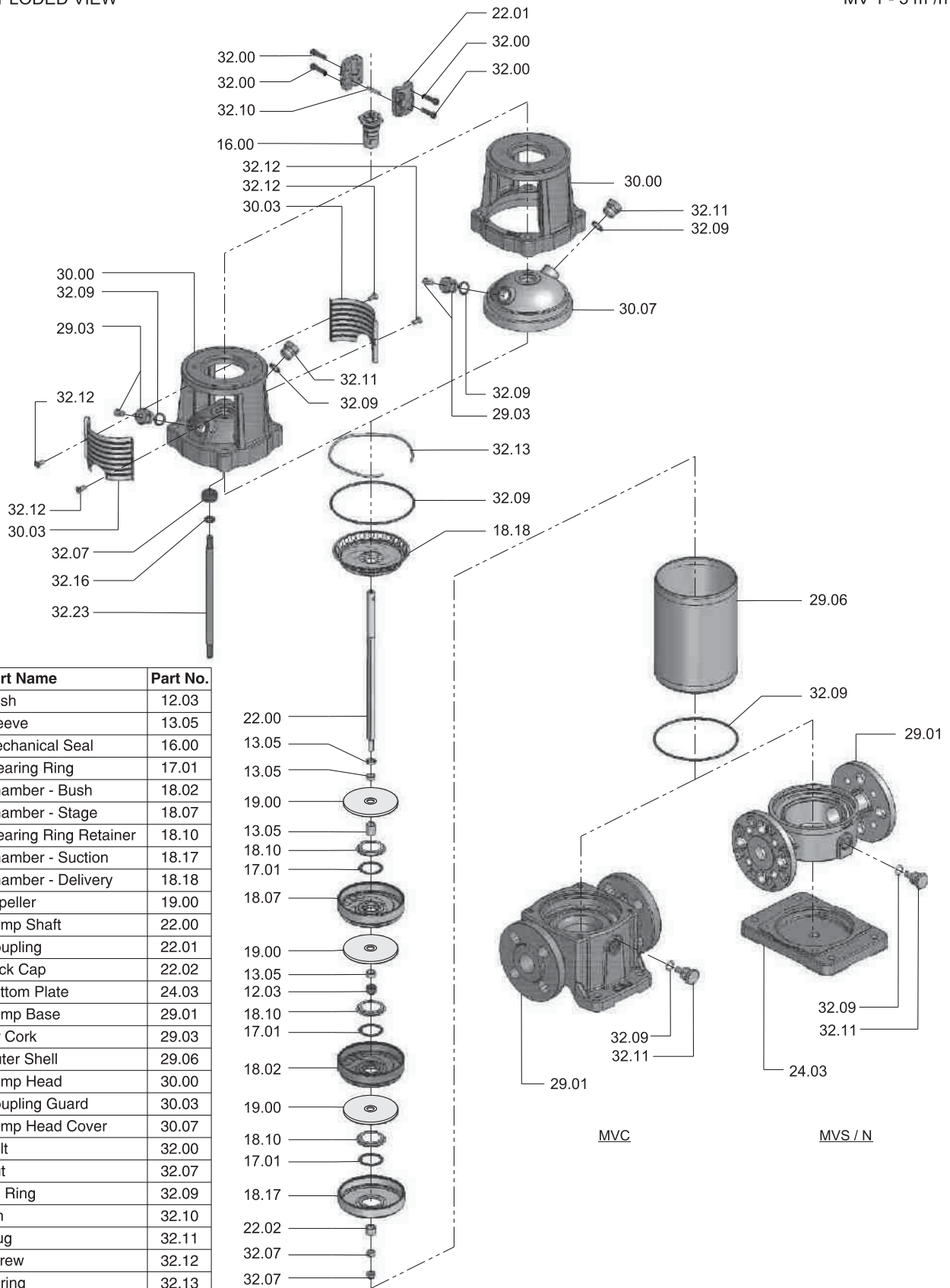
# GROUP PERFORMANCE CURVE



In view of the continuous developments the information / Descriptions / Specifications / illustrations are subject to change without notice.

EXPLODED VIEW

MV 1 - 5 m³/h

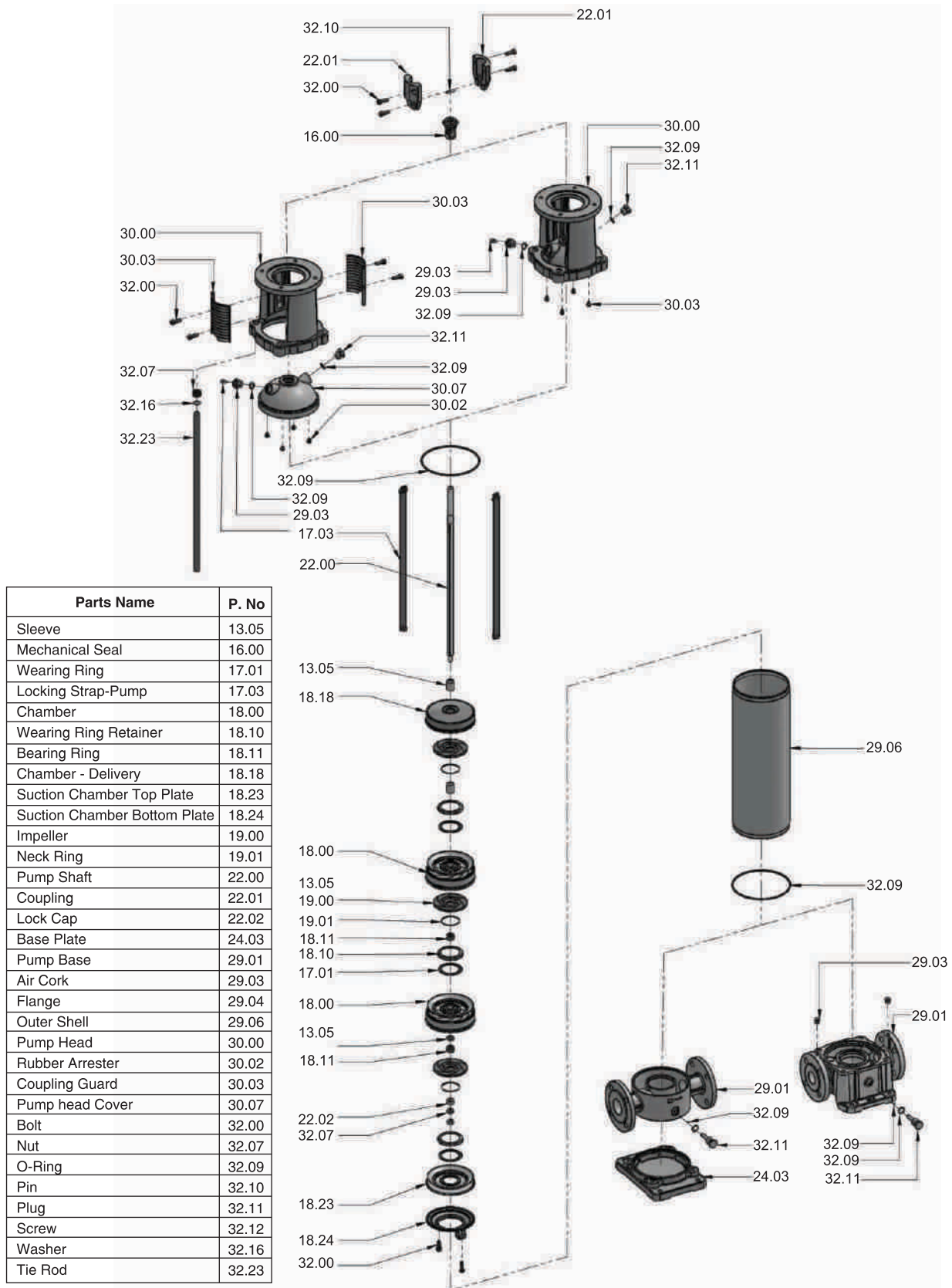


Part Name	Part No.
Bush	12.03
Sleeve	13.05
Mechanical Seal	16.00
Wearing Ring	17.01
Chamber - Bush	18.02
Chamber - Stage	18.07
Wearing Ring Retainer	18.10
Chamber - Suction	18.17
Chamber - Delivery	18.18
Impeller	19.00
Pump Shaft	22.00
Coupling	22.01
Lock Cap	22.02
Bottom Plate	24.03
Pump Base	29.01
Air Cork	29.03
Outer Shell	29.06
Pump Head	30.00
Coupling Guard	30.03
Pump Head Cover	30.07
Bolt	32.00
Nut	32.07
'O' Ring	32.09
Pin	32.10
Plug	32.11
Screw	32.12
Spring	32.13
Washer	32.16
Tie Rod	32.23

In view of the continuous developments the information / Descriptions / Specifications / illustrations are subject to change without notice.

EXPLODED VIEW

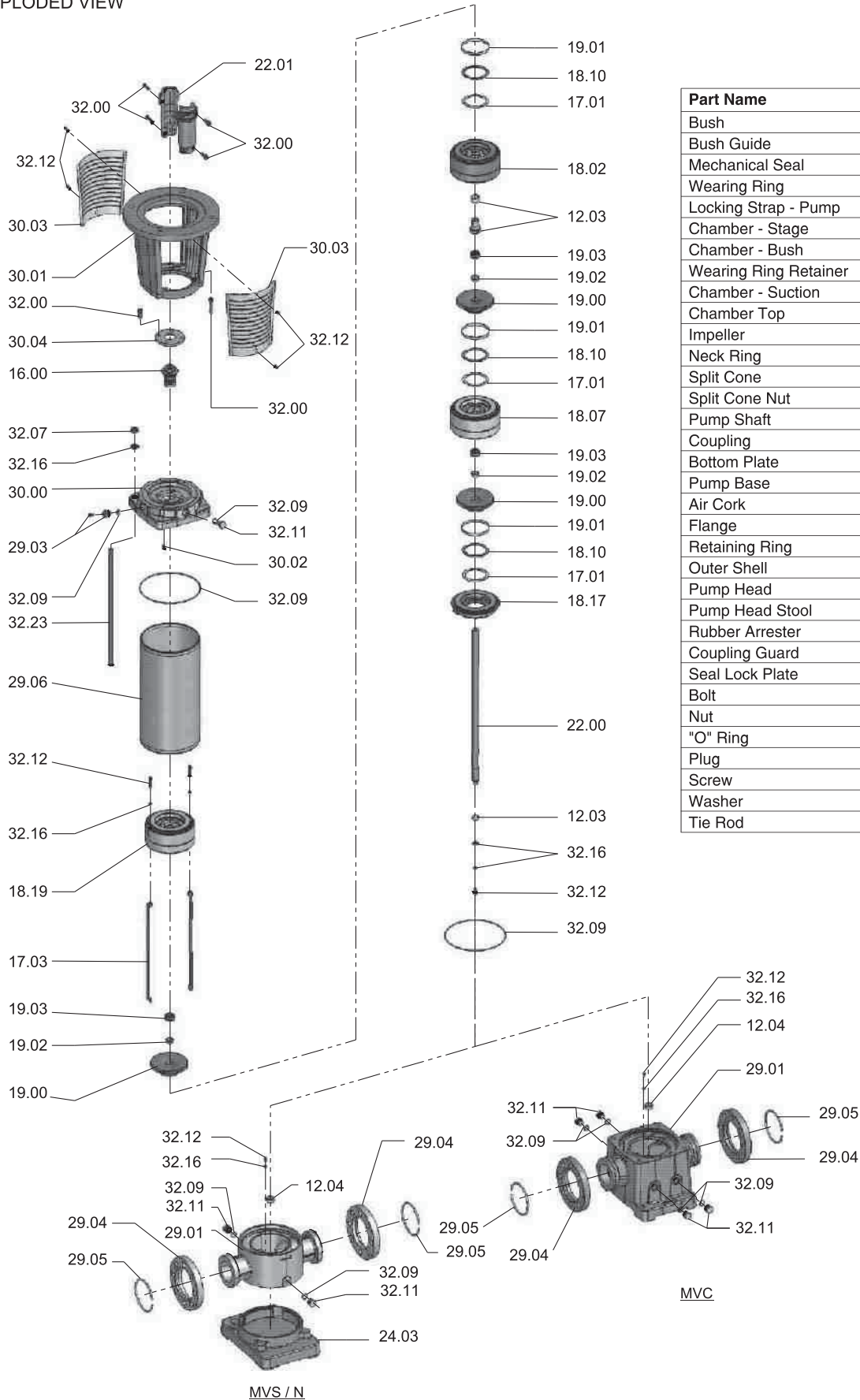
MV 10 - 20 m<sup>3</sup>/h



In view of the continuous developments the information / Descriptions / Specifications / illustrations are subject to change without notice.

MV 32 - 90 m³/h

EXPLODED VIEW

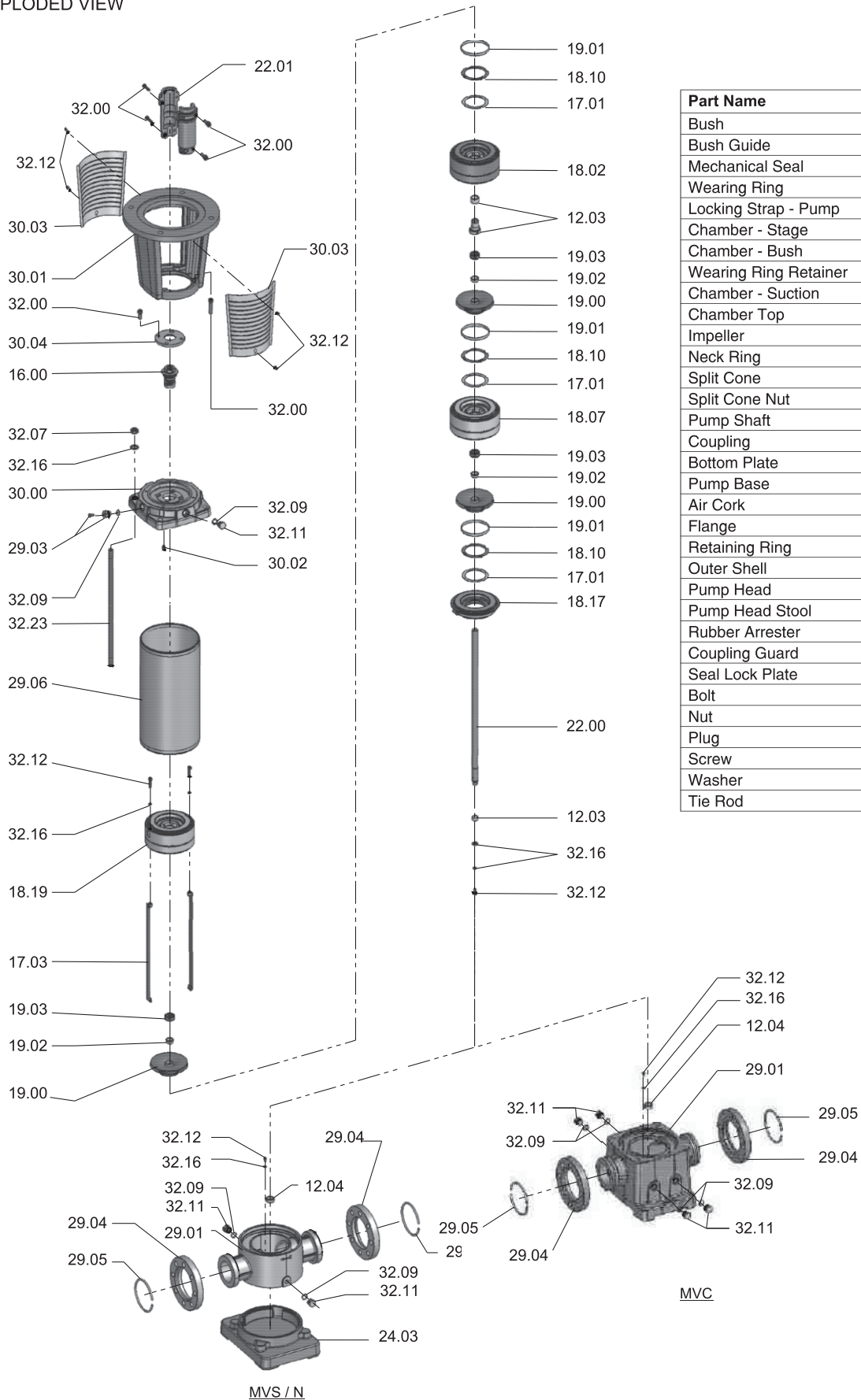


Part Name	Part No.
Bush	12.03
Bush Guide	12.04
Mechanical Seal	16.00
Wearing Ring	17.01
Locking Strap - Pump	17.03
Chamber - Stage	18.07
Chamber - Bush	18.02
Wearing Ring Retainer	18.10
Chamber - Suction	18.17
Chamber Top	18.19
Impeller	19.00
Neck Ring	19.01
Split Cone	19.02
Split Cone Nut	19.03
Pump Shaft	22.00
Coupling	22.01
Bottom Plate	24.03
Pump Base	29.01
Air Cork	29.03
Flange	29.04
Retaining Ring	29.05
Outer Shell	29.06
Pump Head	30.00
Pump Head Stool	30.01
Rubber Arrestor	30.02
Coupling Guard	30.03
Seal Lock Plate	30.04
Bolt	32.00
Nut	32.07
"O" Ring	32.09
Plug	32.11
Screw	32.12
Washer	32.16
Tie Rod	32.23

In view of the continuous developments the information / Descriptions / Specifications / illustrations are subject to change without notice.

MV 120 - 200m<sup>3</sup>/h

EXPLODED VIEW



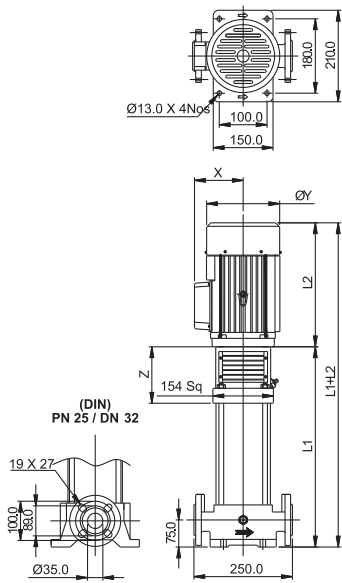
Part Name	Part No.
Bush	12.03
Bush Guide	12.04
Mechanical Seal	16.00
Wearing Ring	17.01
Locking Strap - Pump	17.03
Chamber - Stage	18.07
Chamber - Bush	18.02
Wearing Ring Retainer	18.10
Chamber - Suction	18.17
Chamber Top	18.19
Impeller	19.00
Neck Ring	19.01
Split Cone	19.02
Split Cone Nut	19.03
Pump Shaft	22.00
Coupling	22.01
Bottom Plate	24.03
Pump Base	29.01
Air Cork	29.03
Flange	29.04
Retaining Ring	29.05
Outer Shell	29.06
Pump Head	30.00
Pump Head Stool	30.01
Rubber Arrester	30.02
Coupling Guard	30.03
Seal Lock Plate	30.04
Bolt	32.00
Nut	32.07
Plug	32.11
Screw	32.12
Washer	32.16
Tie Rod	32.23

In view of the continuous developments the information / Descriptions / Specifications / illustrations are subject to change without notice.

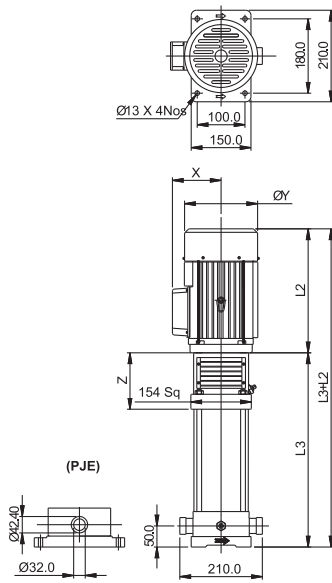
GENERAL ARRANGEMENT DRAWING, DIMENSION & WEIGHT DATA

MV-1

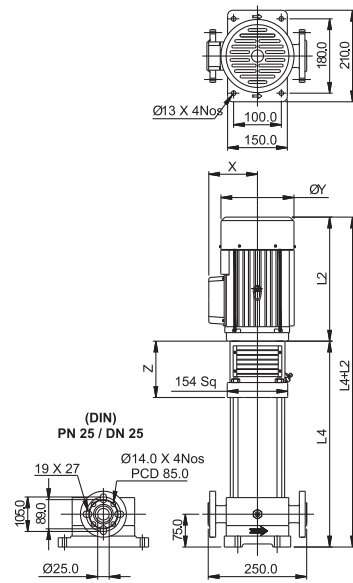
MVC (ROUND FLANGE)



MVS & N (PJE)



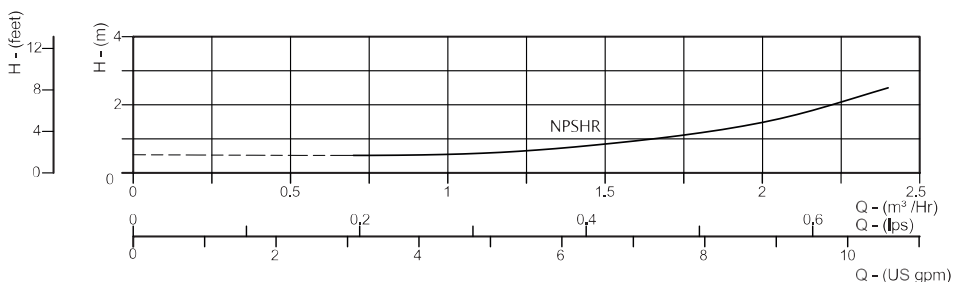
MVS & N (ROUND FLANGE)



PUMP MODEL	POWER		DIMENSIONS (mm)									NET WEIGHT (kg)					MOTOR FRAME SIZE
			L1	L2		L3	L4	X		ØY	Z	PUMP			MOTOR		
	1Ph	3Ph		1Ph	3Ph			MVC (Round)	MVS & N (PJE)			MVS & N (Round)	1Ph	3Ph			
MV-1/02T	0.37	0.5	269	222	217	249	273	122	118	138	145	18.6	13.4	15.0	9	8	71
MV-1/03T	0.37	0.5	287	222	217	267	291	122	118	138	145	19.2	14.0	15.6	9	8	71
MV-1/04T	0.37	0.5	305	222	217	285	309	122	118	138	145	19.8	14.6	16.2	9	8	71
MV-1/05T	0.37	0.5	323	222	217	303	327	122	118	138	145	20.4	15.2	16.8	9	8	71
MV-1/06T	0.37	0.5	341	222	217	321	345	122	118	138	145	21.0	15.8	17.4	9	8	71
MV-1/07T	0.37	0.5	359	222	217	339	363	122	118	138	145	21.6	16.4	18.0	9	8	71
MV-1/08T	0.55	0.75	377	242	232	357	381	122	118	138	145	22.2	17.0	18.6	10	9	71
MV-1/09T	0.55	0.75	395	242	232	375	399	122	118	138	145	22.8	17.6	19.2	10	9	71
MV-1/10T	0.55	0.75	413	242	232	393	417	122	118	138	145	23.4	18.2	19.8	10	9	71
MV-1/11T	0.55	0.75	431	242	232	411	435	122	118	138	145	24.0	18.8	20.4	10	9	80
MV-1/12T	0.75	1	449	267	252	429	453	122	118	138	145	24.6	19.4	21.0	12	14	80
MV-1/13T	0.75	1	467	267	252	447	471	122	118	138	145	25.2	20.0	21.6	12	14	80
MV-1/15T	0.75	1	503	267	252	483	507	122	118	138	145	26.4	21.2	22.8	12	14	80
MV-1/17T	1.1	1.5	539	284	284	519	543	124	128	159	145	28	22	24	13.5	13	80

Note : Face mounted motor (B14) - 0.37 to 7.5 kW

NPSHR CURVE

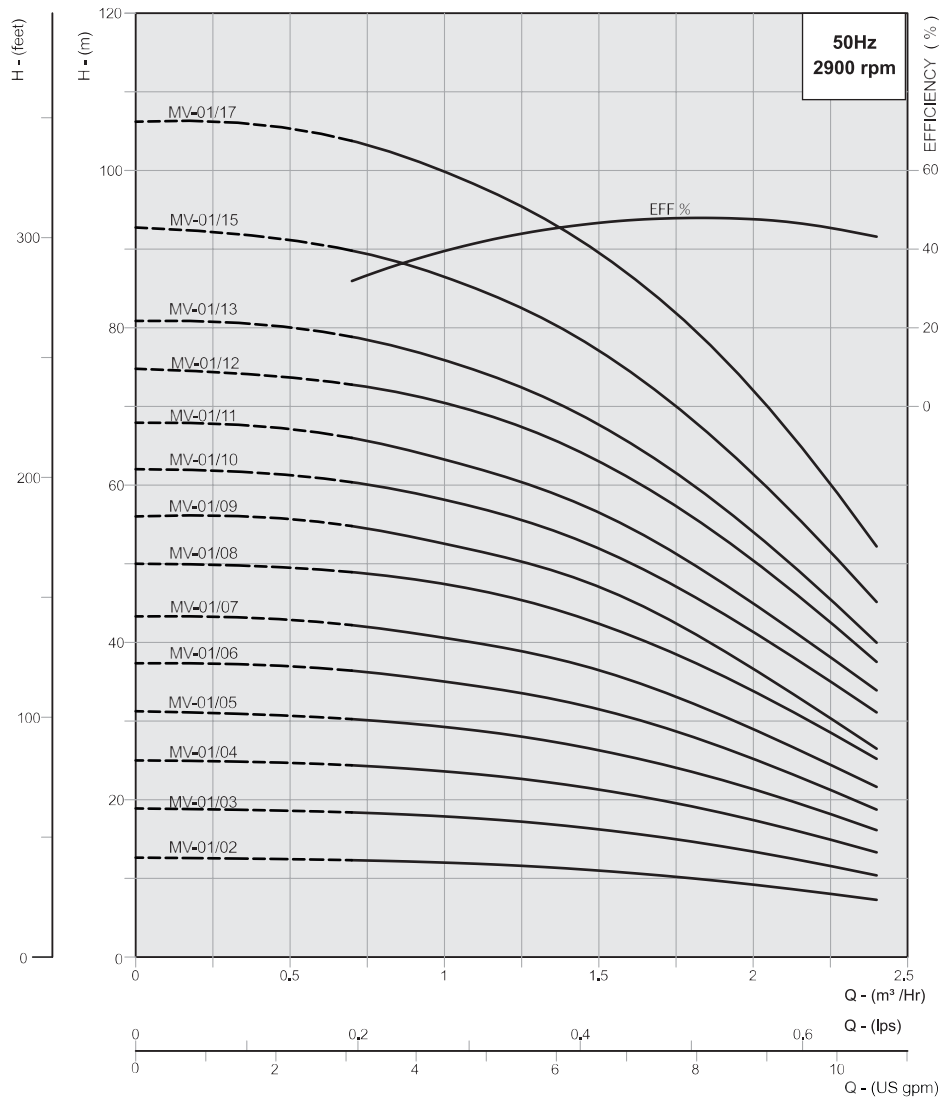


In view of the continuous developments the information / Descriptions / Specifications / illustrations are subject to change without notice.

NOMINAL FLOW : 1m<sup>3</sup>/h

PERFORMANCE CURVES

MV-1



PERFORMANCE TABLE

PIPE SIZE : MVC - DN32, MVS/N - DN25

PUMP MODEL	POWER		DISCHARGE						
	kW	HP	lps	0	0.14	0.27	0.41	0.55	0.66
			m <sup>3</sup> /h	0	0.5	1	1.5	2	2.4
MVC/MVS/MVN			HEAD (m)						
MV-1/02T	0.37	0.5		12.5	12.4	12	11	9.5	7
MV-1/03T	0.37	0.5		19	18.5	18	16.5	13.5	10.5
MV-1/04T	0.37	0.5		25	24.5	24	21.5	18	13
MV-1/05T	0.37	0.5		31.5	31	30	26.5	21.5	16
MV-1/06T	0.37	0.5		37	36.5	35	31.5	25.5	18.5
MV-1/07T	0.37	0.5		43	42.5	40.5	36.5	29	21.5
MV-1/08T	0.55	0.75		50	49	47	42.5	34	25
MV-1/09T	0.55	0.75		56	55.5	52.5	47	37	26.5
MV-1/10T	0.55	0.75		62	61	58	52	41.5	31
MV-1/11T	0.55	0.75		68	67	63.5	56.5	45	34
MV-1/12T	0.75	1		75	74	70	63	50.5	37.5
MV-1/13T	0.75	1		81	80	75.5	67.5	54	40
MV-1/15T	0.75	1		93	91	86	76.5	61	45
MV-1/17T	1.1	1.5		106	105	100	89.5	71.5	52

Performance curve tolerances are as per HI : 14.6 / ISO: 9906, Grade 3B

In view of the continuous developments the information / Descriptions / Specifications / illustrations are subject to change without notice.

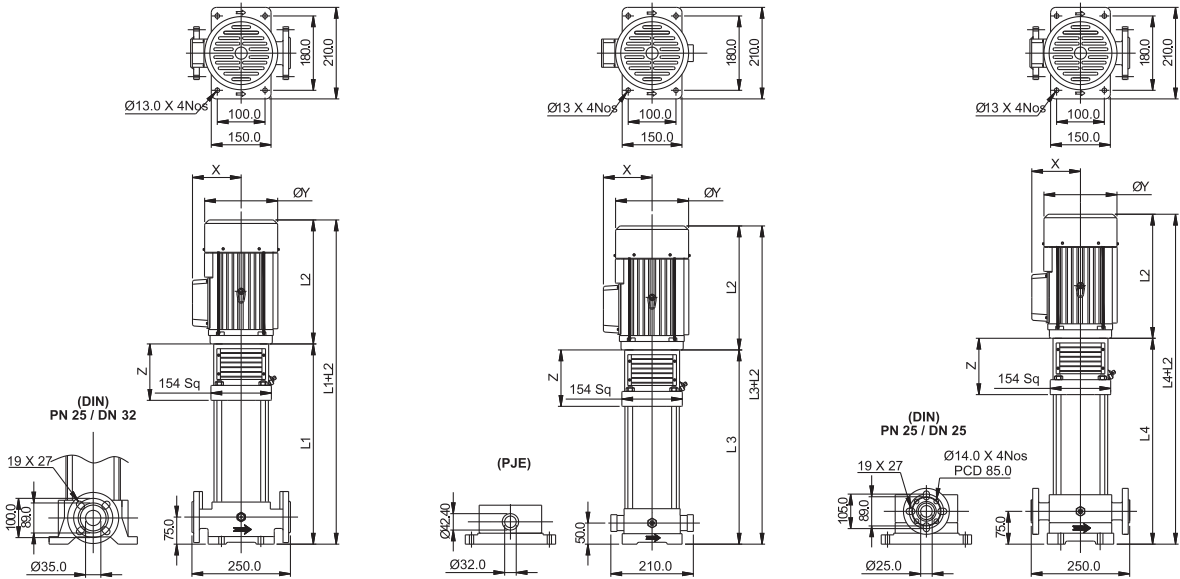
GENERAL ARRANGEMENT DRAWING, DIMENSION & WEIGHT DATA

MV-1

MVC (ROUND FLANGE)

MVS & N (PJE)

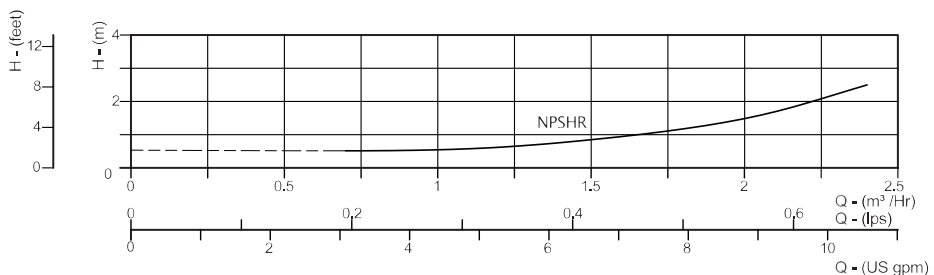
MVS & N (ROUND FLANGE)



PUMP MODEL	POWER		DIMENSIONS (mm)									NET WEIGHT (kg)					MOTOR FRAME SIZE
			L1	L2		L3	L4	X		ØY	Z	PUMP			MOTOR		
	1Ph	3Ph		1Ph	3Ph			MVC (Round)	MVS & N (PJE)			MVS & N (Round)	1Ph	3Ph			
MV-1/19T	1.1	1.5	575	284	284	555	579	124	128	159	145	29	24	25	13.5	13	80
MV-1/21T	1.1	1.5	611	284	284	591	615	124	128	159	145	30	25	26	13.5	13	80
MV-1/23T	1.1	1.5	647	284	284	627	651	124	128	159	145	31	26	28	13.5	13	80
MV-1/25T	1.5	2	701	294	295	681	705	128	128	187	163	32	27	29	16.5	15	90
MV-1/27T	1.5	2	737	294	295	717	741	128	128	187	163	34	28	30	16.5	15	90
MV-1/30T	1.5	2	791	294	295	771	795	128	128	187	163	35	30	32	16.5	15	90
MV-1/33T	2.2	3	845	320	305	825	849	136	136	187	163	37	32	34	20	17.5	90
MV-1/36T	2.2	3	899	320	305	879	903	136	136	187	163	39	34	35	20	17.5	90

Note : Face mounted motor (B14) - 0.37 to 7.5 kW

NPSHR CURVE



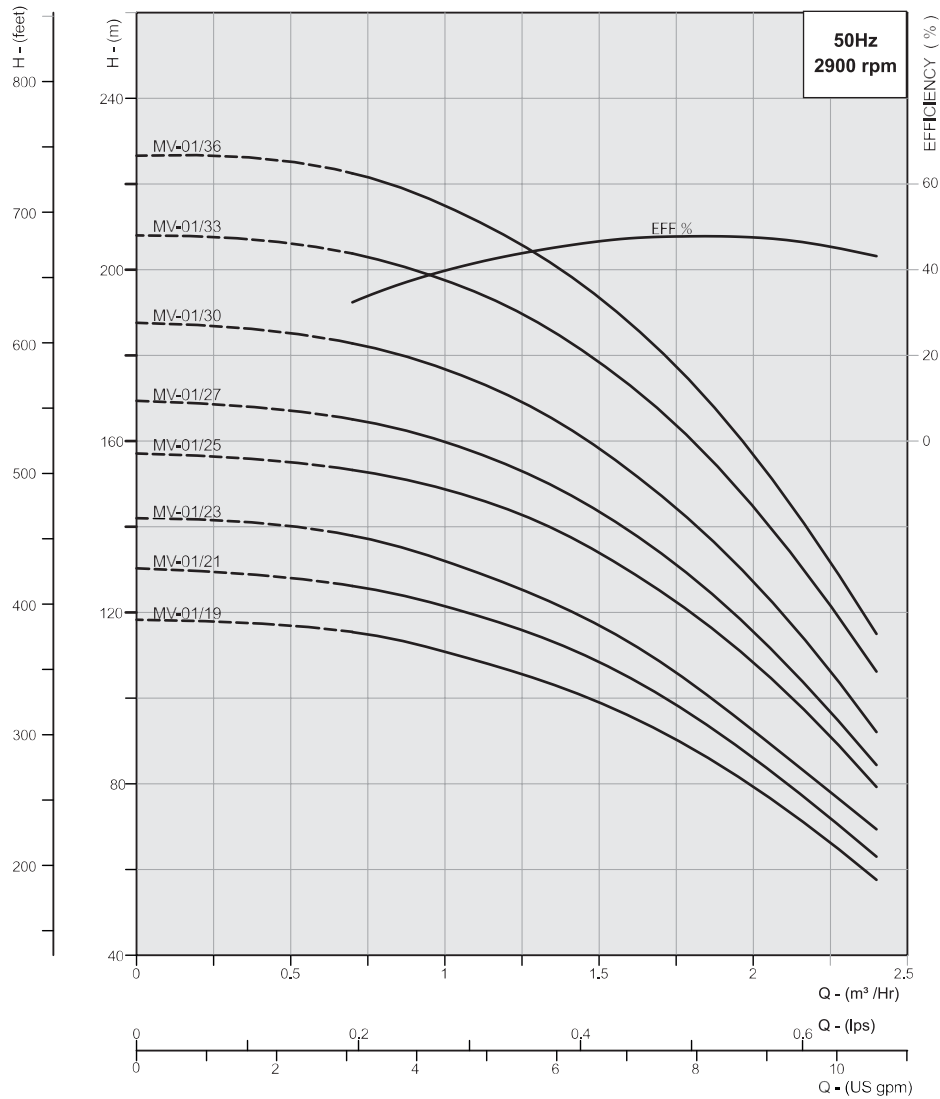
In view of the continuous developments the information / Descriptions / Specifications / illustrations are subject to change without notice.



NOMINAL FLOW : 1m<sup>3</sup>/h

PERFORMANCE CURVES

MV-1



PERFORMANCE TABLE

PIPE SIZE : MVC - DN32, MVS/N - DN25

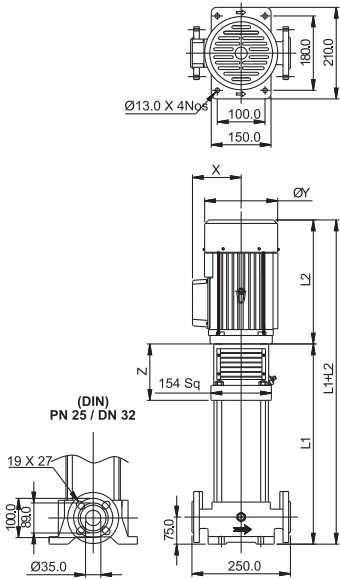
PUMP MODEL	POWER		DISCHARGE						
	kW	HP	lps	0	0.14	0.27	0.41	0.55	0.66
			m <sup>3</sup> /h	0	0.5	1	1.5	2	2.4
MVC/MVS/MVN			HEAD (m)						
MV-1/19T	1.1	1.5		118	117	111	99	79	58
MV-1/21T	1.1	1.5		130	128	121.5	108	85.5	63
MV-1/23T	1.1	1.5		142	140	132	117	92.5	69
MV-1/25T	1.5	2		157	155	149	134	108	79.5
MV-1/27T	1.5	2		169.5	167	160	143.5	115.5	84.5
MV-1/30T	1.5	2		187.5	185	176.5	158	127	92
MV-1/33T	2.2	3		208	206	197	178	144	106
MV-1/36T	2.2	3		226.5	225	215	193	156.5	115

Performance curve tolerances are as per HI : 14.6 / ISO: 9906, Grade 3B  
 In view of the continuous developments the information / Descriptions / Specifications / illustrations are subject to change without notice.

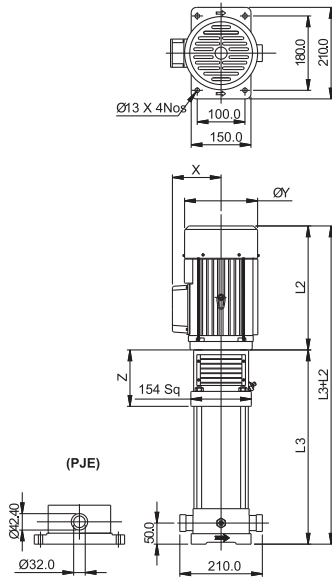
GENERAL ARRANGEMENT DRAWING, DIMENSION & WEIGHT DATA

MV-2

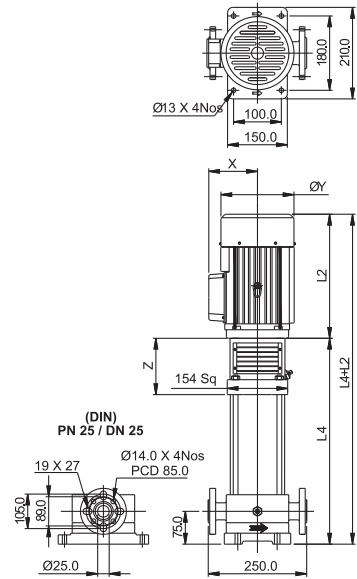
MVC (ROUND FLANGE)



MVS & N (PJE)



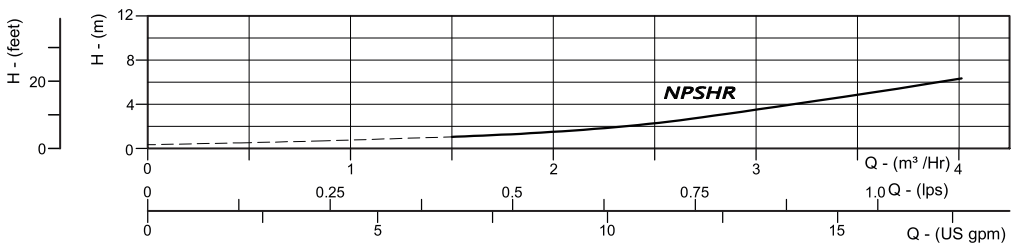
MVS & N (ROUND FLANGE)



PUMP MODEL	POWER		DIMENSIONS (mm)									NET WEIGHT (kg)					MOTOR FRAME SIZE
			kW	HP	L1	L2		L3	L4	X		ØY	Z	PUMP			
	1Ph	3Ph				1Ph	3Ph			MVC (Round)	MVS & N (PJE)			MVS & N (Round)	1Ph	3Ph	
MV-2/02T	0.37	0.5	269	222	217	249	273	122	118	138	145	18.6	13.4	15.0	9	8	71
MV-2/03T	0.37	0.5	287	222	217	267	291	122	118	138	145	19.3	14.1	15.7	9	8	71
MV-2/04T	0.55	0.75	305	242	232	285	309	122	118	138	145	20.0	14.8	16.4	10	9	71
MV-2/05T	0.55	0.75	323	242	232	303	327	122	118	138	145	20.7	15.5	17.1	10	9	71
MV-2/06T	0.75	1	341	267	252	321	345	122	118	138	145	21.4	16.2	18.7	12	14	80
MV-2/07T	0.75	1	359	267	252	339	363	122	118	138	145	22.1	16.9	18.5	12	14	80
MV-2/09T	1.1	1.5	395	284	284	375	399	124	128	159	145	23.6	18.4	20.0	13.5	13	80
MV-2/11T	1.1	1.5	431	284	284	411	435	124	128	159	145	25.0	19.8	21.4	13.5	13	80
MV-2/13T	1.5	2	485	294	295	465	489	128	128	187	163	26.6	22.0	23.6	16.5	15	90
MV-2/15T	1.5	2	521	294	295	501	525	128	128	187	163	28.0	23.4	25.0	16.5	15	90
MV-2/18T	2.2	3	575	320	305	555	579	136	136	187	163	30.1	25.5	26.6	20	17.5	90
MV-2/22T	2.2	3	647	320	305	627	651	136	136	187	163	33.0	28.4	30.0	20	17.5	90
MV-2/26T	3	4	719	-	320	699	723	-	136	187	163	35.9	31.3	32.9	-	24	100

Note : Face mounted motor (B14) - 0.37 to 7.5 kW

NPSHR CURVE

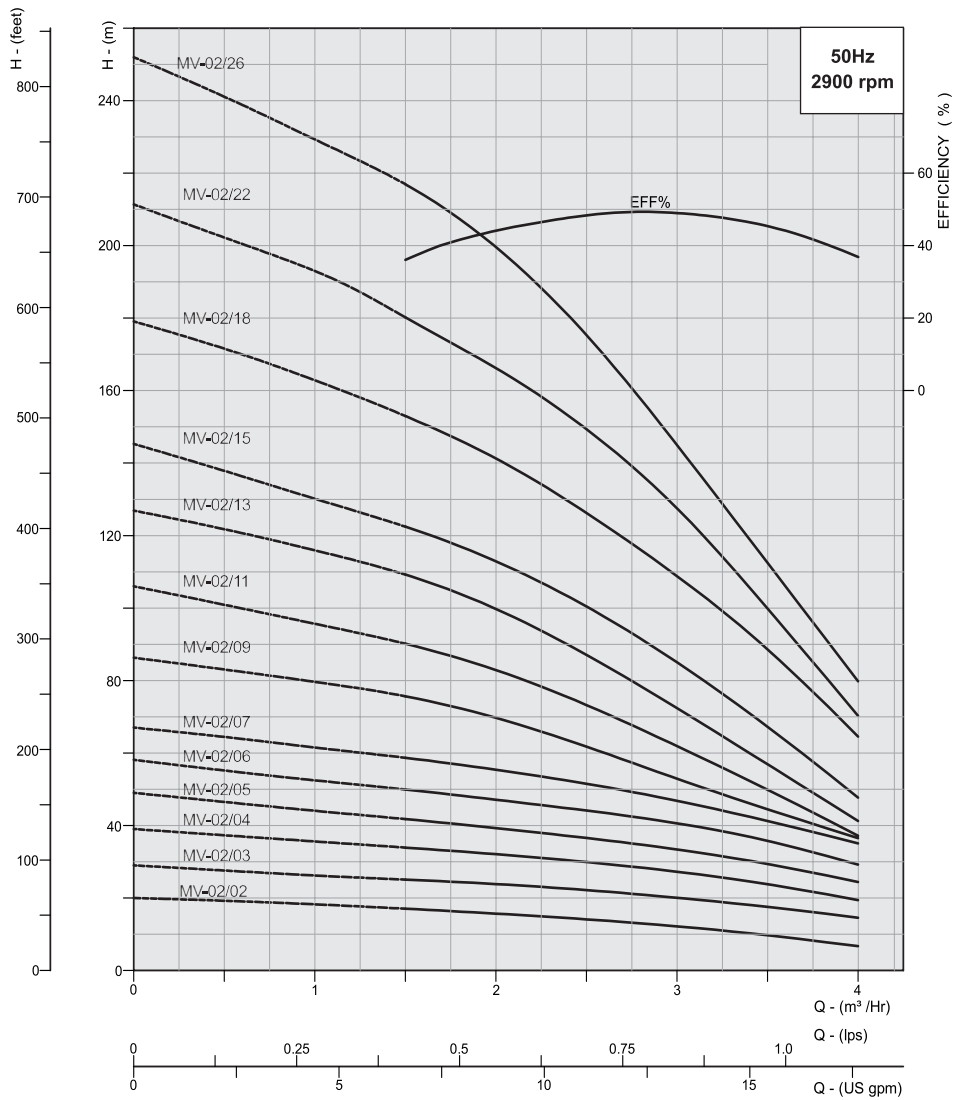


In view of the continuous developments the information / Descriptions / Specifications / illustrations are subject to change without notice.

NOMINAL FLOW : 2m<sup>3</sup>/h

PERFORMANCE CURVES

MV-2



PERFORMANCE TABLE

PIPE SIZE : MVC - DN32, MVS/N - DN25

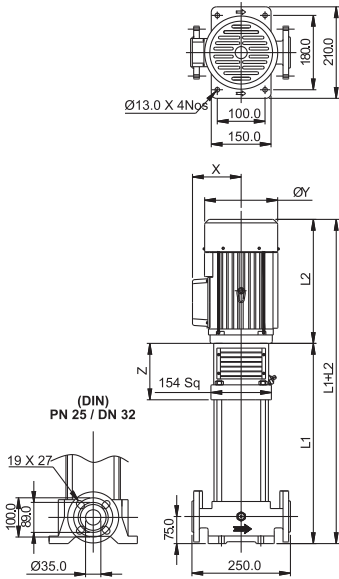
PUMP MODEL	POWER		DISCHARGE										
	kW	HP	lps	0	0.14	0.27	0.41	0.55	0.69	0.83	0.97	1.11	
			m <sup>3</sup> /h	0	0.5	1	1.5	2	2.5	3	3.5	4	
MVC/MVS/MVN			HEAD (m)										
MV-2/02T	0.37	0.5		20	19	18	17	15.5	14	12.5	10	6.5	
MV-2/03T	0.37	0.5		29	27.5	26	25	24	22	20	17.5	14.5	
MV-2/04T	0.55	0.75		39	37	35.5	34	32	30	27.5	24	19.5	
MV-2/05T	0.55	0.75		49	46.5	44	41.5	39	36.5	33.5	30	24.5	
MV-2/06T	0.75	1		58	55	52.5	50	47	44	41	36.5	29	
MV-2/07T	0.75	1		67	64.5	61.5	59	55.5	51.5	47	41.5	35	
MV-2/09T	1.1	1.5		86	83	80	76	70	62	53	44	36.5	
MV-2/11T	1.1	1.5		106	101	95.5	90.5	83.5	73.5	62	50	37	
MV-2/13T	1.5	2		127	122	116	109	100	87.5	72.5	57	41	
MV-2/15T	1.5	2		145	138	130	122.5	113	100.5	85	67.5	47.5	
MV-2/18T	2.2	3		179	172	163	153	141	126	109	88.5	64.5	
MV-2/22T	2.2	3		211	202	193	180	166	149	127.5	100	70.5	
MV-2/26T	3	4		252	241	229	217	199	175	145	112.5	80	

Performance curve tolerances are as per HI : 14.6 / ISO: 9906, Grade 3B  
 In view of the continuous developments the information / Descriptions / Specifications / illustrations are subject to change without notice.

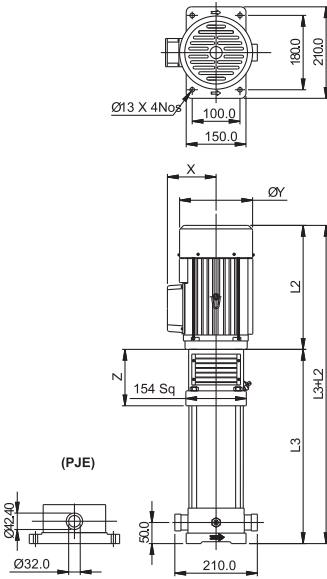
GENERAL ARRANGEMENT DRAWING, DIMENSION & WEIGHT DATA

MV-3

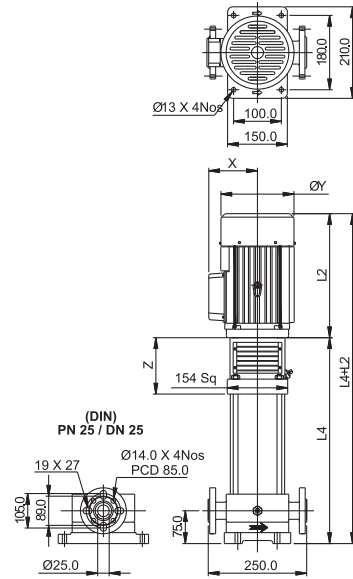
MVC (ROUND FLANGE)



MVS & N (PJE)



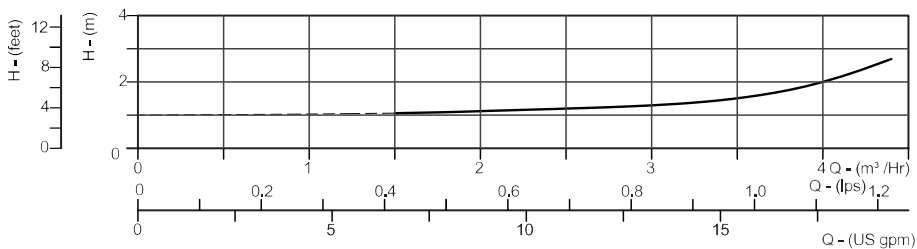
MVS & N (ROUND FLANGE)



PUMP MODEL	POWER		DIMENSIONS (mm)									NET WEIGHT (kg)					MOTOR FRAME SIZE
			L1	L2		L3	L4	X		ØY	Z	PUMP			MOTOR		
	1Ph	3Ph		1Ph	3Ph			MVC (Round)	MVS & N (PJE)			MVS & N (Round)	1Ph	3Ph			
MV-3/02T	0.37	0.5	269	222	217	249	273	122	118	138	145	18.6	13.4	15.0	9	8	71
MV-3/03T	0.37	0.5	287	222	217	267	291	122	118	138	145	19.2	14.0	15.6	9	8	71
MV-3/04T	0.37	0.5	305	222	217	285	309	122	118	138	145	19.8	14.6	16.2	9	8	71
MV-3/05T	0.37	0.5	323	222	217	303	327	122	118	138	145	20.4	15.2	16.8	9	8	71
MV-3/06T	0.55	0.75	341	242	232	321	345	122	118	138	145	21.0	15.8	17.4	10	9	71
MV-3/07T	0.55	0.75	359	242	232	339	363	122	118	138	145	21.6	16.4	18.0	10	9	71
MV-3/08T	0.75	1	377	267	252	357	381	122	118	138	145	22.2	17.0	18.6	12	14	80
MV-3/09T	0.75	1	395	267	252	375	399	122	118	138	145	22.8	17.6	19.2	12	14	80
MV-3/10T	0.75	1	413	267	252	393	417	122	118	138	145	23.4	18.2	19.8	12	14	80
MV-3/11T	1.1	1.5	431	284	284	411	435	124	128	159	145	24.0	18.8	20.4	13.5	13	80
MV-3/12T	1.1	1.5	449	284	284	429	453	124	128	159	145	24.6	19.4	21.0	13.5	13	80
MV-3/13T	1.1	1.5	467	284	284	447	471	124	128	159	145	25.2	20.0	21.6	13.5	13	80
MV-3/15T	1.1	1.5	503	284	284	483	507	124	128	159	145	26.4	21.2	22.8	13.5	13	80

Note : Face mounted motor (B14) - 0.37 to 7.5 kW

NPSHR CURVE

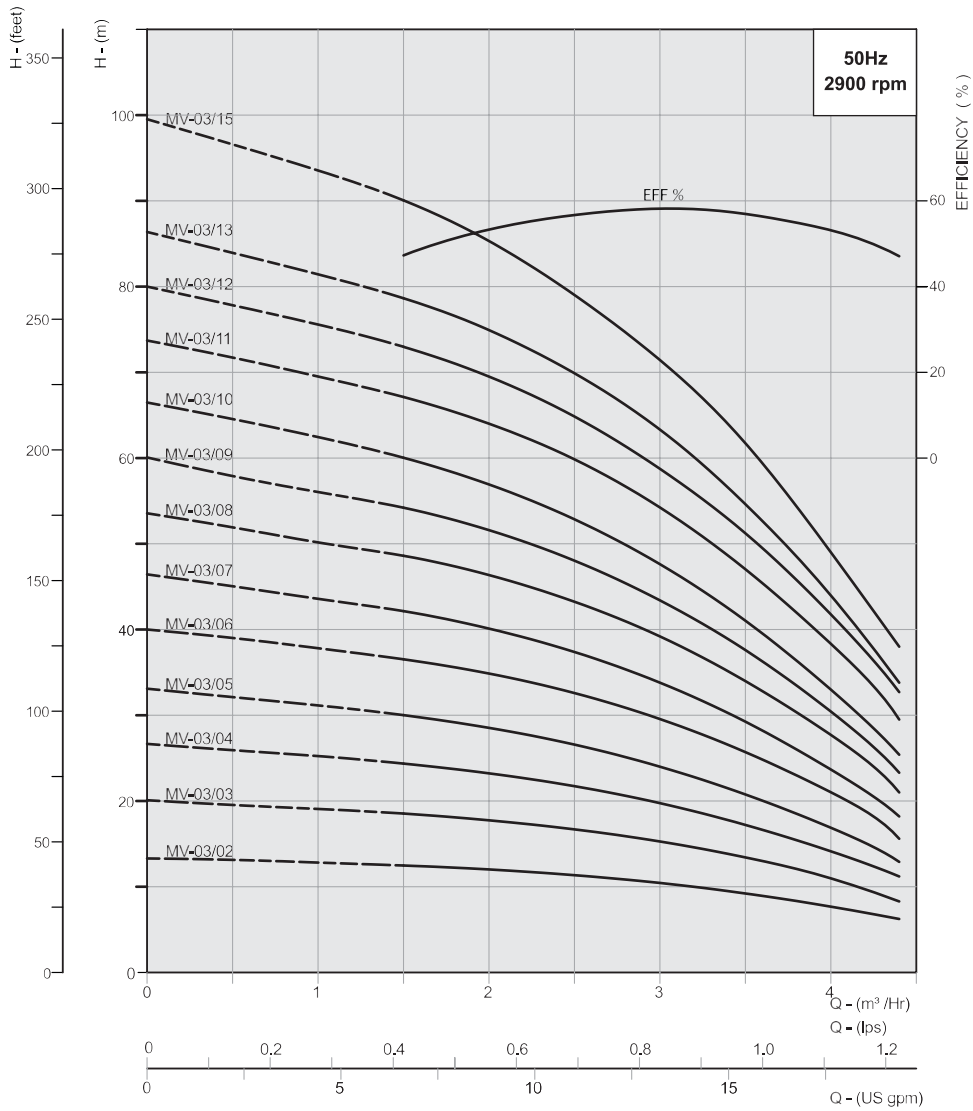


In view of the continuous developments the information / Descriptions / Specifications / illustrations are subject to change without notice.

NOMINAL FLOW : 3m<sup>3</sup>/h

PERFORMANCE CURVES

MV-3



PERFORMANCE TABLE

PIPE SIZE : MVC - DN32, MVS/N - DN25

PUMP MODEL	POWER		DISCHARGE											
	kW	HP	lps	0	0.14	0.27	0.41	0.55	0.69	0.83	0.97	1.11	1.19	1.22
			m <sup>3</sup> /h	0	0.5	1	1.5	2	2.5	3	3.5	4	4.3	4.4
MVC/MVS/MVN			HEAD (m)											
MV-3/02T	0.37	0.5		13.5	13	12.8	12.5	12	11.5	10.5	9.5	7.5	6.5	6
MV-3/03T	0.37	0.5		20	19.5	19	18.5	17.5	16.5	15	13.5	11	9.5	8
MV-3/04T	0.37	0.5		27	26	25	24.5	23	21.5	20	17	14	12	11
MV-3/05T	0.37	0.5		33	32	31	30	28.5	26.5	24	21	17	14.5	13
MV-3/06T	0.55	0.75		40	39	38	36.5	35	32.5	30	26	21	18	15.5
MV-3/07T	0.55	0.75		46.5	45	43.5	42.5	40	37.5	34	29.5	23.5	20	18
MV-3/08T	0.75	1		53.5	52	50	49	46.5	43.5	39.5	34	27.5	23.5	21
MV-3/09T	0.75	1		60	57.5	56	54.5	51.5	48	43.5	38	30.5	25.5	23
MV-3/10T	0.75	1		66.5	64.5	62.5	60	57	53	48	41	33	27.5	25.5
MV-3/11T	1.1	1.5		73.5	72	69.5	67.5	64	60	54.5	47	38.5	32.5	29.5
MV-3/12T	1.1	1.5		80	77.5	75.5	73	70	65	59	51.5	42	35.5	32.5
MV-3/13T	1.1	1.5		86.5	83.5	81.5	79	75	70	63	54.5	44	37	33.5
MV-3/15T	1.1	1.5		99.5	96	93.5	90	85	79	71.5	61.5	49	41.5	38

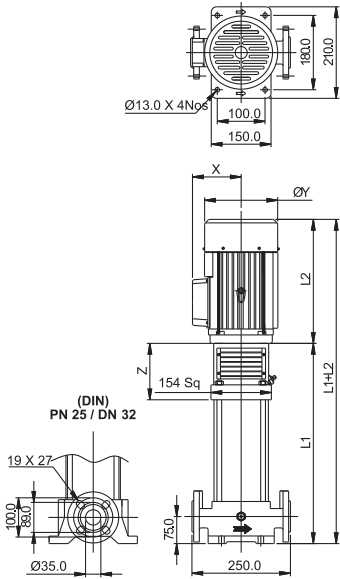
Performance curve tolerances are as per HI : 14.6 / ISO: 9906, Grade 3B

In view of the continuous developments the information / Descriptions / Specifications / illustrations are subject to change without notice.

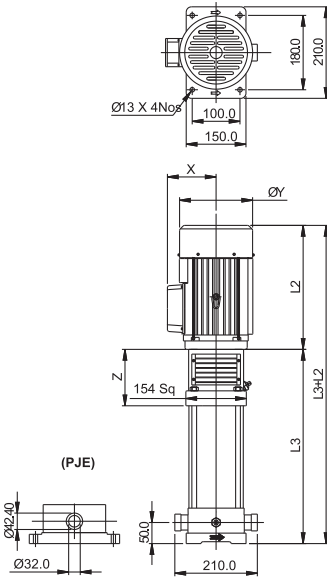
GENERAL ARRANGEMENT DRAWING, DIMENSION & WEIGHT DATA

MV-3

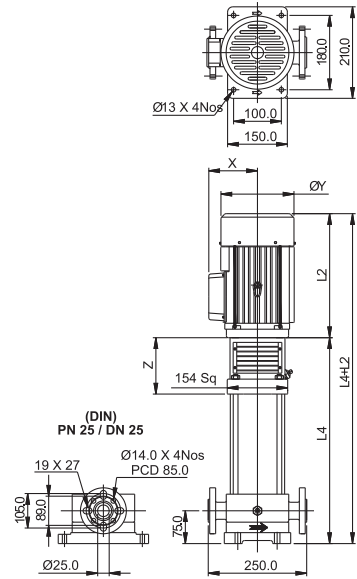
MVC (ROUND FLANGE)



MVS & N (PJE)



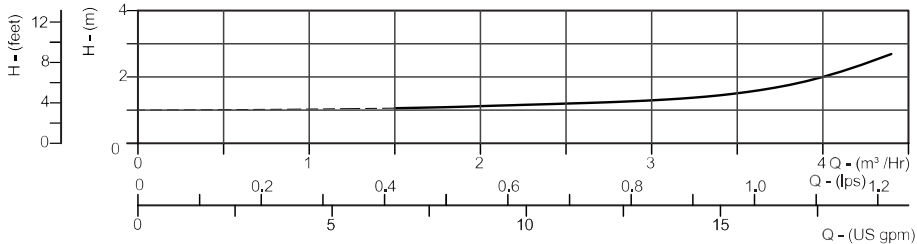
MVS & N (ROUND FLANGE)



PUMP MODEL	POWER		DIMENSIONS (mm)									NET WEIGHT (kg)					MOTOR FRAME SIZE
			L1	L2		L3	L4	X		ØY	Z	PUMP			MOTOR		
	1Ph	3Ph		1Ph	3Ph			(Round)	MVS & N (PJE)			MVS & N (Round)	1Ph	3Ph			
MV-3/17T	1.5	2	557	294	295	537	561	128	128	187	163	28	22	24	16.5	15	90
MV-3/19T	1.5	2	593	294	295	573	597	128	128	187	163	29	24	25	16.5	15	90
MV-3/21T	2.2	3	629	320	305	609	633	136	136	187	163	30	25	26	20	17.5	90
MV-3/23T	2.2	3	665	320	305	645	669	136	136	187	163	31	26	28	20	17.5	90
MV-3/25T	2.2	3	701	320	305	681	705	136	136	187	163	32	27	29	20	17.5	90
MV-3/27T	2.2	3	737	320	305	717	741	136	136	187	163	34	28	30	20	17.5	90
MV-3/29T	2.2	3	773	320	305	753	777	136	136	187	163	35	30	31	20	17.5	90
MV-3/31T	3	4	809	-	320	789	813	-	136	187	163	36	32	33	-	24.5	100
MV-3/33T	3	4	845	-	320	825	849	-	136	187	163	37	32	34	-	24.5	100
MV-3/36T	3	4	899	-	320	879	903	-	136	187	163	39	34	35	-	24.5	100

Note : Face mounted motor (B14) - 0.37 to 7.5 kW

NPSHR CURVE

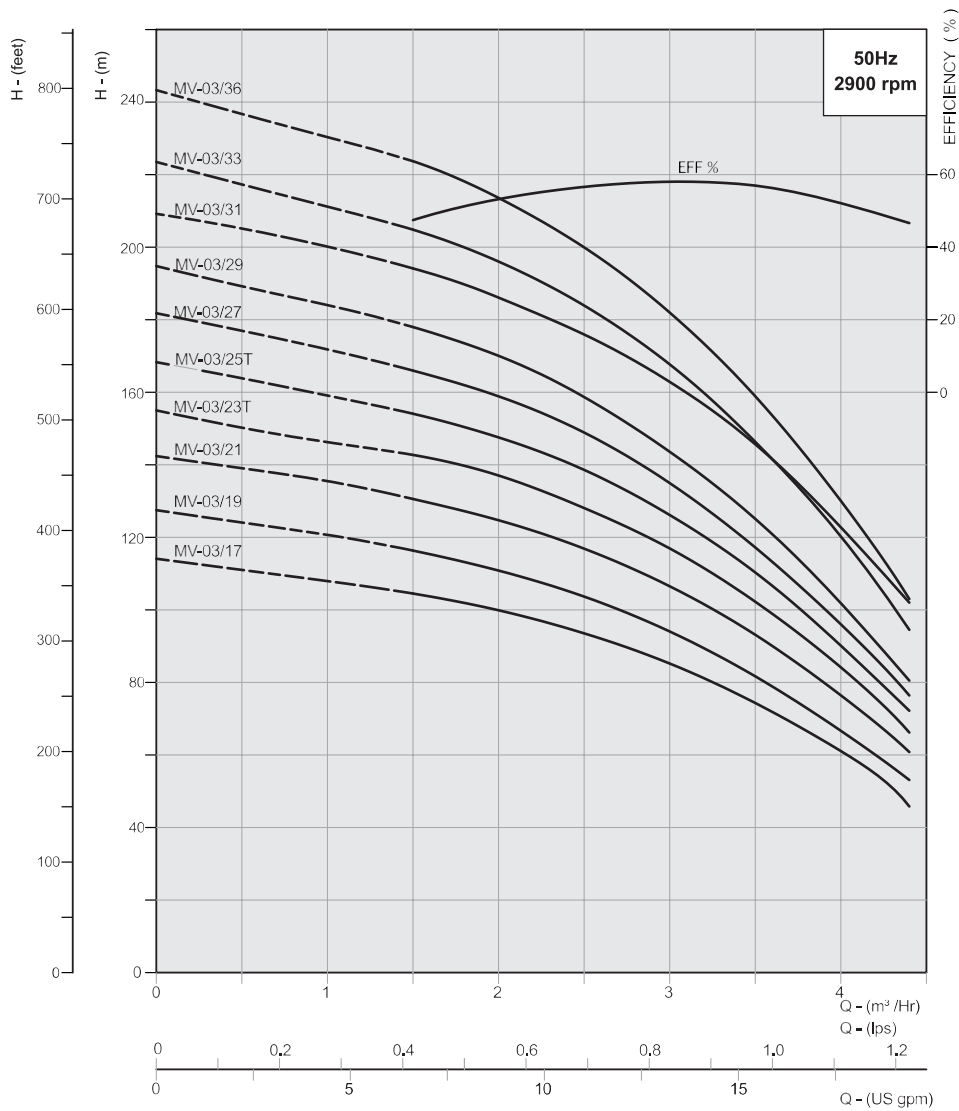


In view of the continuous developments the information / Descriptions / Specifications / illustrations are subject to change without notice.

NOMINAL FLOW : 3m<sup>3</sup>/h

PERFORMANCE CURVES

MV-3



PERFORMANCE TABLE

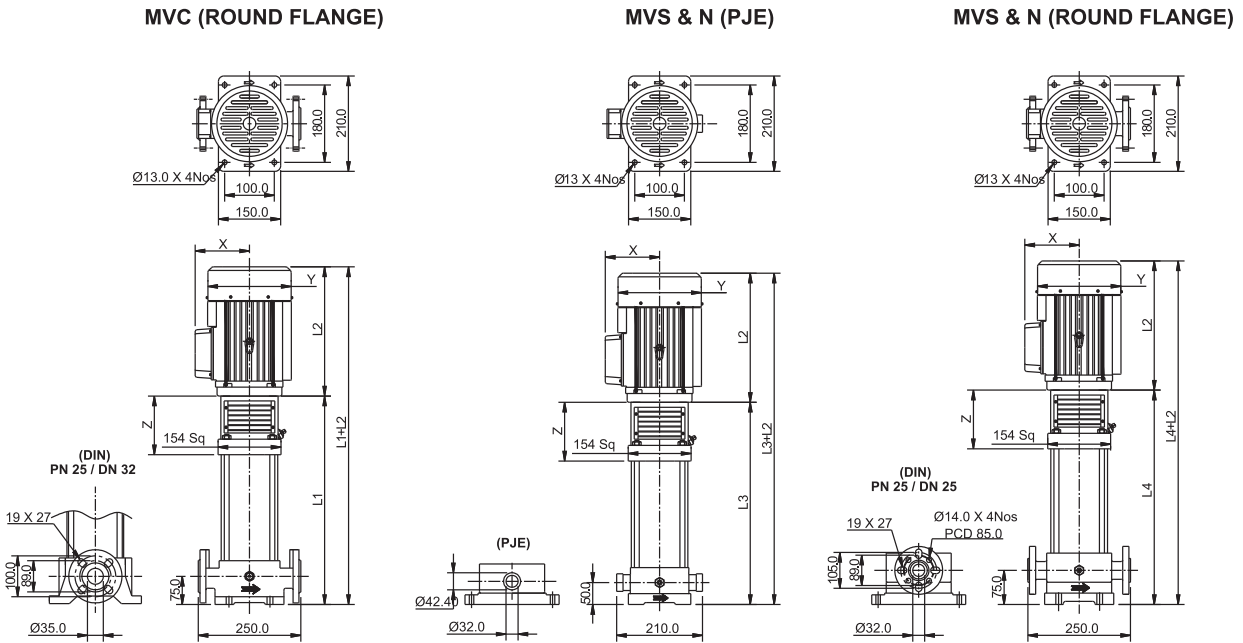
PIPE SIZE : MVC - DN32, MVS/N - DN25

PUMP MODEL	POWER		DISCHARGE											
	kW	HP	lps	0	0.14	0.27	0.41	0.55	0.69	0.83	0.97	1.11	1.19	1.22
			m <sup>3</sup> /h	0	0.5	1	1.5	2	2.5	3	3.5	4	4.3	4.4
MVC/MVS/MVN			HEAD (m)											
MV-3/17T	1.5	2		114	111	108	105	100	94	85.5	74.7	61.5	52	45.5
MV-3/19T	1.5	2		127.5	124	121	116.5	111	104	94.5	82	67	57	53
MV-3/21T	2.2	3		142	139	136	130.5	125	117	107	93.5	77	65.5	61
MV-3/23T	2.2	3		155	150	146	142.5	136.5	128	117	102	84	71.5	66
MV-3/25T	2.2	3		168	164	159	154.5	147.5	138.5	126	110	90	76.5	72
MV-3/27T	2.2	3		182	177	172	166	159.5	149.5	135.5	117.5	96.5	82	76.5
MV-3/29T	2.2	3		195	189	184	178	170	158.5	143.5	125	102	86.5	80.5
MV-3/31T	3	4		209	206	199	194	186	175.5	162.5	145.5	123	109.5	102
MV-3/33T	3	4		223.5	217	211	205	196	183.5	167.5	146	120	102.5	94.5
MV-3/36T	3	4		243	236	230	223.5	213.5	199.5	181.5	158.5	130.5	110.5	103

Performance curve tolerances are as per HI : 14.6 / ISO: 9906, Grade 3B  
 In view of the continuous developments the information / Descriptions / Specifications / illustrations are subject to change without notice.

GENERAL ARRANGEMENT DRAWING, DIMENSION & WEIGHT DATA

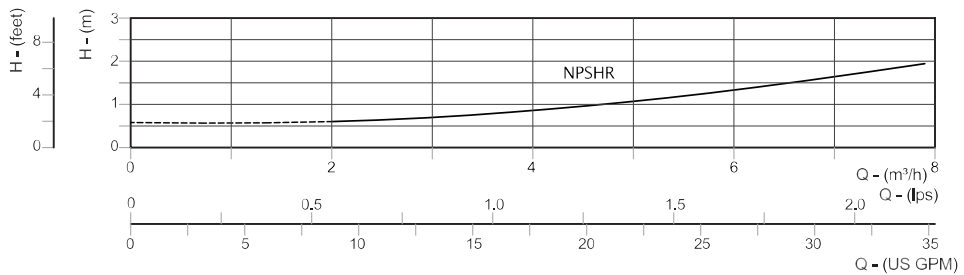
MV-4



PUMP MODEL	POWER		DIMENSIONS (mm)									NET WEIGHT (kg)					MOTOR FRAME SIZE
			L1	L2		L3	L4	X		ØY	Z	PUMP			MOTOR		
	1Ph	3Ph		1Ph	3Ph			MVC (Round)	MVS & N (PJE)			MVS & N (Round)	1Ph	3Ph			
MV-4/01T	0.37	0.5	257	222	217	267	291	122	118	138	145	21.9	16.7	18.3	9	8	71
MV-4/02T	0.37	0.5	287	222	217	294	318	122	118	138	145	22.6	17.4	19.0	9	8	71
MV-4/03T	0.55	0.75	314	242	232	321	345	122	118	138	145	23.3	18.1	19.7	10	9	71
MV-4/04T	0.75	1	341	267	252	348	372	122	118	138	145	24.0	18.8	20.4	12	14	80
MV-4/05T	1.1	1.5	368	284	284	375	399	124	128	159	145	24.7	19.5	21.1	13.5	13	80
MV-4/06T	1.1	1.5	395	284	284	402	426	124	128	159	145	25.4	20.2	21.8	13.5	13	80
MV-4/07T	1.5	2	440	294	295	447	471	128	128	187	163	26.1	21.5	23.1	16.5	15	90
MV-4/08T	1.5	2	467	294	295	474	498	128	128	187	163	26.8	22.2	23.8	16.5	15	90
MV-4/10T	2.2	3	521	320	305	528	552	136	136	187	163	28.1	23.5	25.1	20	17.5	90
MV-4/12T	2.2	3	575	320	305	582	606	136	136	187	163	29.4	24.8	26.4	20	17.5	90
MV-4/14T	3	4	629	-	320	636	660	-	136	187	163	30.1	25.5	27.1	-	24.5	100
MV-4/16T	3	4	683	-	320	690	714	-	136	187	163	32.0	27.4	29.0	-	24.5	100
MV-4/19T	4	5.5	764	-	354	771	795	-	136	187	163	34.0	29.4	31.0	-	27.5	100
MV-4/22T	4	5.5	845	-	354	852	876	-	136	187	163	36.0	31.4	33.0	-	27.5	100

Note : Face mounted motor (B14) - 0.37 to 7.5 kW

NPSHR CURVE



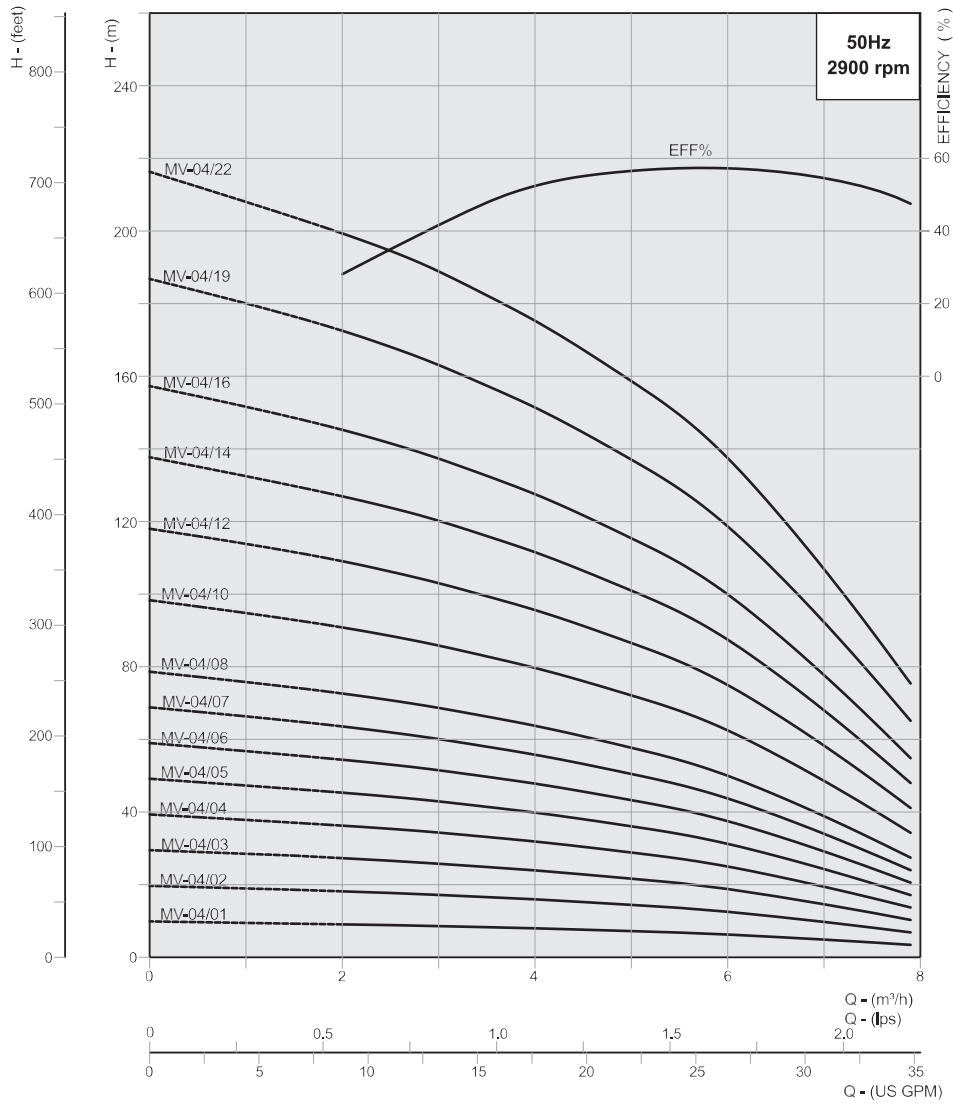
In view of the continuous developments the information / Descriptions / Specifications / illustrations are subject to change without notice.



NOMINAL FLOW : 4m<sup>3</sup>/h

PERFORMANCE CURVES

MV-4



PERFORMANCE TABLE

PIPE SIZE : MVC - DN32, MVS/N - DN25

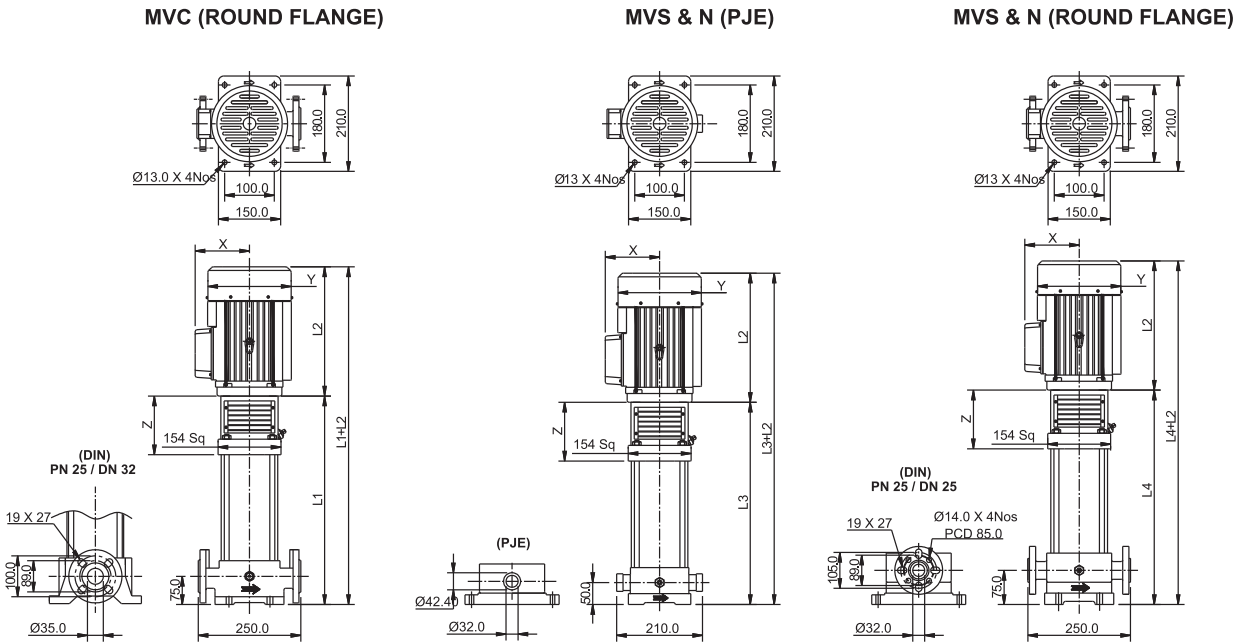
PUMP MODEL	POWER		DISCHARGE														
	kW	HP	lps	0	0.42	0.69	0.83	0.97	1.11	1.25	1.39	1.52	1.66	1.80	1.94	2.08	2.19
			m <sup>3</sup> /h	0	1.5	2.5	3	3.5	4	4.5	5	5.5	6	6.5	7	7.5	7.9
MVC/MVS/MVN			HEAD (m)														
MV-4/01T	0.37	0.5		10	9.5	9	8.5	8.3	8	7.5	7	6.5	6	5.5	5	4	3.5
MV-4/02T	0.37	0.5		19.5	18.6	17.5	17	16.5	16	15	14.5	13.5	12.5	11	9.5	8	7
MV-4/03T	0.55	0.75		29.5	28	26.5	25.5	25	24	22.5	21.5	20.5	18.5	17	14.5	12.5	10
MV-4/04T	0.75	1		39	37	35.5	34.5	33	32	30.5	29	27	25	22.5	19.5	16.5	13.5
MV-4/05T	1.1	1.5		49	46.5	44.5	43	41.5	40	38	36	34	31.5	28	24.5	20.5	17
MV-4/06T	1.1	1.5		59	55.5	53	51.5	49.5	48	45.5	43	41	37.5	33.5	29	24.5	20.5
MV-4/07T	1.5	2		68.5	65	62	60	58	56	53	50.5	47.5	44	39	34	28.5	24
MV-4/08T	1.5	2		78.5	74.5	71	68.5	66	63.5	61	57.5	54.5	50	45	39	32.5	27.5
MV-4/10T	2.2	3		98	93	88.5	86	83	80	76	72	68	62.5	56	48.5	41	34
MV-4/12T	2.2	3		118	112	106	103	99.5	96	91	86.5	82	75	67	58.5	49	41
MV-4/14T	3	4		137.5	130	124	120	116	111.5	106.5	101	95.5	88	78.5	68	57	48
MV-4/16T	3	4		157	149	141.5	137	132.5	127.5	121.5	115.5	109	100.5	89.5	78	65	55
MV-4/19T	4	5.5		186.5	177	168	163	157.5	151.5	144.5	137	129.5	119	106	92.5	77.5	65
MV-4/22T	4	5.5		216	204	195	189	182	175.5	167.5	158.5	150	138	123	107	90	75.5

Performance curve tolerances are as per HI : 14.6 / ISO: 9906, Grade 3B

In view of the continuous developments the information / Descriptions / Specifications / illustrations are subject to change without notice.

GENERAL ARRANGEMENT DRAWING, DIMENSION & WEIGHT DATA

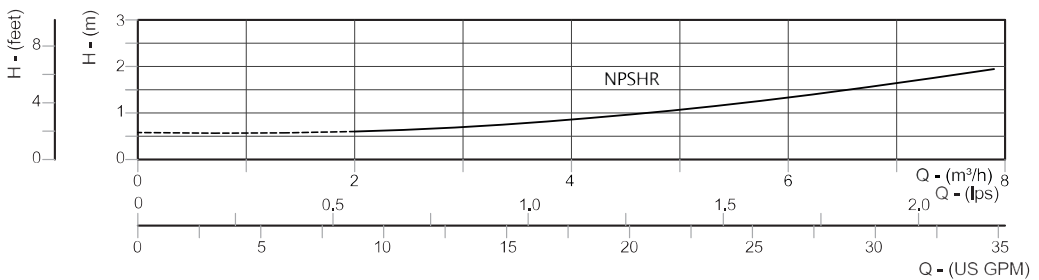
MV-4



PUMP MODEL	POWER		DIMENSIONS (mm)									NET WEIGHT (kg)					MOTOR FRAME SIZE
	kW	HP	L1	L2		L3	L4	X		ØY	Z	PUMP			MOTOR		
				1Ph	3Ph			1Ph	3Ph			MVC (Round)	MVS & N (PJE)	MVS & N (Round)	1Ph	3Ph	
MV-4E/01T	0.37	0.5	257	222	217	267	291	122	118	138	145	21.9	16.7	18.3	9	8	71
MV-4E/02T	0.37	0.5	287	222	217	294	318	122	118	138	145	22.6	17.4	19.0	9	8	71
MV-4E/03T	0.55	0.75	314	242	232	321	345	122	118	138	145	23.3	18.1	19.7	10	9	71
MV-4E/04T	0.75	1	341	267	252	348	372	122	118	138	145	24.0	18.8	20.4	12	14	80
MV-4E/05T	1.1	1.5	368	284	284	375	399	124	128	159	145	24.7	19.5	21.1	13.5	13	80
MV-4E/06T	1.1	1.5	395	284	284	402	426	124	128	159	145	25.4	20.2	21.8	13.5	13	80
MV-4E/07T	1.5	2	440	294	295	447	471	128	128	187	163	26.1	21.5	23.1	16.5	15	90
MV-4E/08T	1.5	2	467	294	295	474	498	128	128	187	163	26.8	22.2	23.8	16.5	15	90
MV-4E/10T	2.2	3	521	320	305	528	552	136	136	187	163	28.1	23.5	25.1	20	17.5	90
MV-4E/12T	2.2	3	575	320	305	582	606	136	136	187	163	29.4	24.8	26.4	20	17.5	90
MV-4E/14T	3	4	629	-	320	636	660	-	136	187	163	30.1	25.5	27.1	-	24.5	100
MV-4E/16T	3	4	683	-	320	690	714	-	136	187	163	32.0	27.4	29.0	-	24.5	100
MV-4E/19T	4	5.5	764	-	354	771	795	-	136	187	163	34.0	29.4	31.0	-	27.5	100
MV-4E/22T	4	5.5	845	-	354	852	876	-	136	187	163	36.0	31.4	33.0	-	27.5	100
MV-4E/26T																	

Note : Face mounted motor (B14) - 0.37 to 7.5 kW

NPSHR CURVE

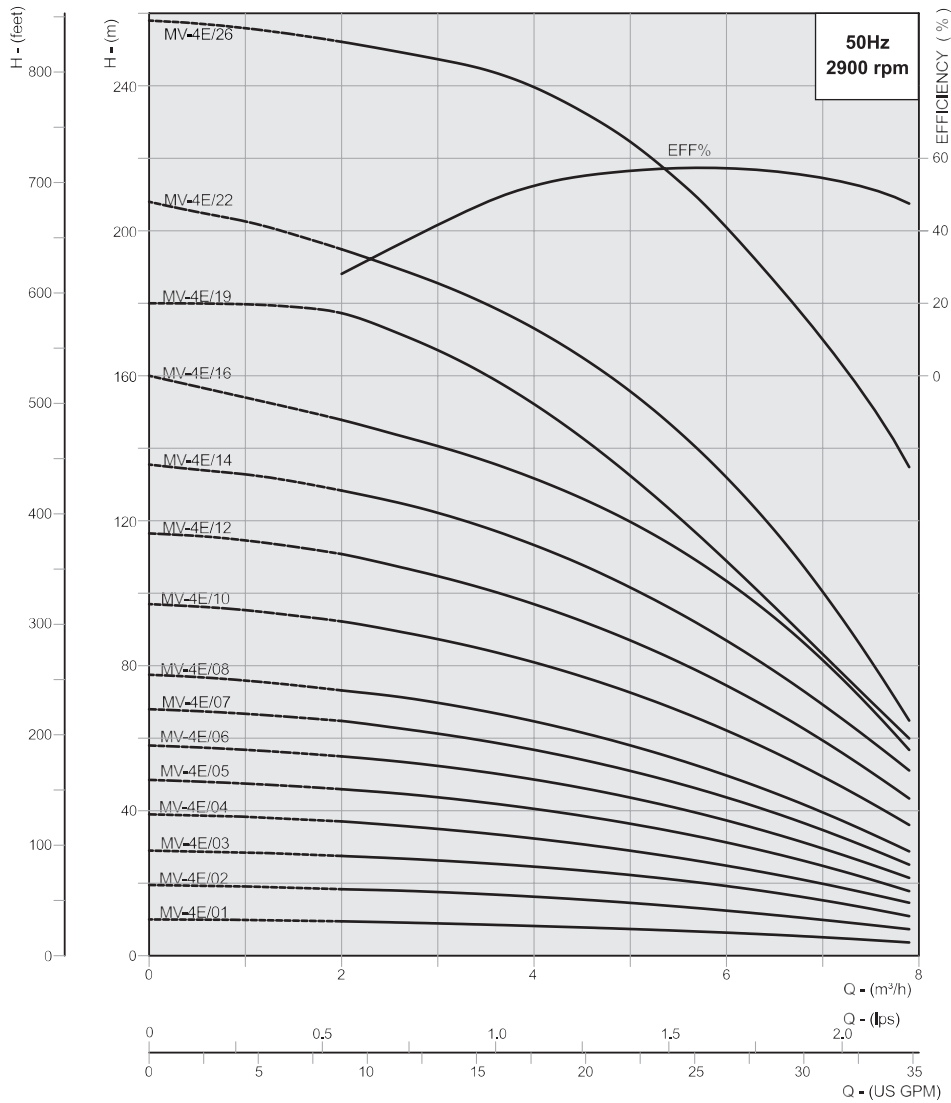


In view of the continuous developments the information / Descriptions / Specifications / illustrations are subject to change without notice.

NOMINAL FLOW : 4Em<sup>3</sup>/h

PERFORMANCE CURVES

MV-4E



PERFORMANCE TABLE

PIPE SIZE : MVC - DN32, MVS/N - DN25

PUMP MODEL	POWER		DISCHARGE																	
	KW	HP	lps	0	0.14	0.28	0.42	0.55	0.69	0.83	0.97	1.11	1.25	1.39	1.52	1.66	1.80	1.94	2.08	2.19
			m <sup>3</sup> /h	0	0.5	1	1.5	2	2.5	3	3.5	4	4.5	5	5.5	6	6.5	7	7.5	7.9
MVC/MVS/MVN			HEAD (m)	10	10	9.6	9.5	9.5	9	8.8	8.6	8	7.5	7.1	6.5	6	5.5	5	4	3.5
MV-4E/01T	0.37	0.5		19.5	19.5	19	18.5	18	18	17.5	17	16	15.5	14.5	13.5	12.5	11	10	8.5	7
MV-4E/02T	0.37	0.5		29	28.5	28.5	28	27.5	27	26	25.5	24.6	23.5	22	20.5	19	17.5	15	13	11
MV-4E/03T	0.55	0.75		39	38.5	38.5	37.5	37	36	35	33.5	32	30.5	29	27	24.5	22.6	19.5	17	14.5
MV-4E/04T	0.75	1		48.5	48	47.5	47	46	45	43.5	42	40.5	38.5	36.5	34	31	28	24.5	21	17.5
MV-4E/05T	1.1	1.5		58	57.5	57	56	55	53.6	52.5	50.5	48.5	46	43.5	40.5	37	33.5	29.5	25	21.5
MV-4E/06T	1.1	1.5		68	67.5	67	66	65	63	61	59	56.5	54	51	47.5	43.5	39.5	34.5	29.5	25
MV-4E/07T	1.5	2		77.5	77	76	75	73	71.5	69.5	67.5	64.5	61.5	58	54	49.5	45	39.5	33.5	28.5
MV-4E/08T	1.5	2		97	96.5	95.5	93.5	92.5	90	87.5	84.5	81	77	72.5	67.5	62	56	49.5	42	36
MV-4E/10T	2.2	3		116.5	116	115	113	111	108	104.5	101	97	92	87	81	74.5	67.5	59.5	50.5	43
MV-4E/12T	2.2	3		135.5	134	133	131	127	125.5	122	118	113.5	108	101.5	94.5	87	78.5	69.5	59.5	51
MV-4E/14T	3	4		160	157	154	149	148	144	140.5	136.5	131.5	126	120	112.5	103.5	93.5	82	68.5	56.5
MV-4E/16T	3	4		180	181	180	179	178	172.5	167	160.5	152.5	143	132.5	121	109	96	83	70	60
MV-4E/19T	4	5.5		208	205	203	199	195	190.5	185.5	180	173	165	156	145	132	117.5	101	81.5	64.5
MV-4E/22T	4	5.5		258	258	257	254	252	249.5	247.5	244.5	240	233	225	214	202	192	179.5	155	134.5
MV-4E/26T	5.5	7.5																		

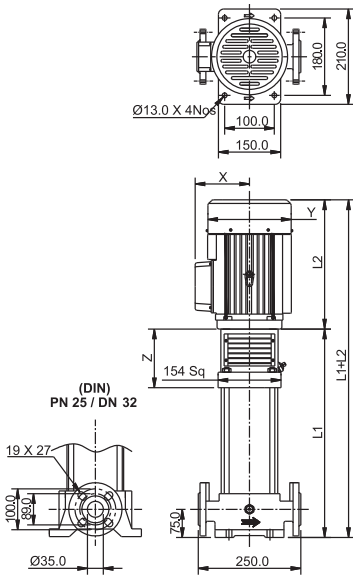
Performance curve tolerances are as per HI : 14.6 / ISO: 9906, Grade 3B

In view of the continuous developments the information / Descriptions / Specifications / illustrations are subject to change without notice.

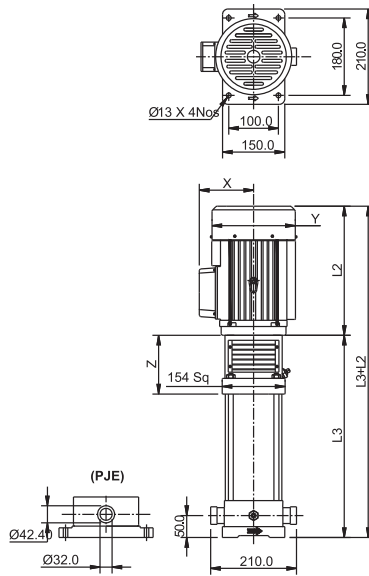
GENERAL ARRANGEMENT DRAWING, DIMENSION & WEIGHT DATA

MV-5

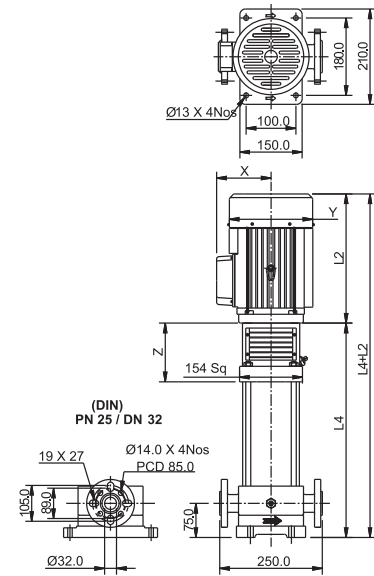
MVC (ROUND FLANGE)



MVS & N (PJE)



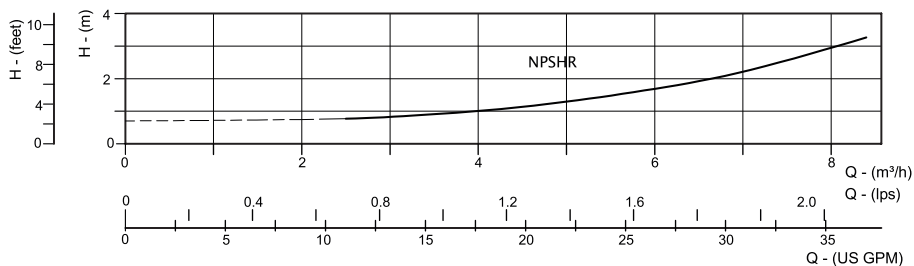
MVS & N (ROUND FLANGE)



PUMP MODEL	POWER		DIMENSIONS (mm)									NET WEIGHT (kg)					MOTOR FRAME SIZE
	kW	HP	L1	L2		L3	L4	X		ØY	Z	PUMP			MOTOR		
				1Ph	3Ph			1Ph	3Ph			MVC (Round)	MVS & N (PJE)	MVS & N (Round)	1Ph	3Ph	
MV-5/02T	0.37	0.5	287	222	217	267	291	122	118	138	145	22.6	17.4	19.0	9	8	71
MV-5/03T	0.55	0.75	314	242	232	294	318	122	118	138	145	23.5	18.3	19.9	10	9	71
MV-5/04T	0.55	0.75	341	242	232	321	345	122	118	138	145	24.4	19.2	20.8	10	9	71
MV-5/05T	0.75	1	368	267	252	348	372	122	118	138	145	25.3	20.1	21.7	12	14	80
MV-5/06T	1.1	1.5	395	284	284	375	399	124	128	159	145	26.2	21.0	22.6	13.5	13	80
MV-5/07T	1.1	1.5	422	284	284	402	426	124	128	159	145	27.1	21.9	23.5	13.5	13	80
MV-5/08T	1.1	1.5	449	284	284	429	453	124	128	159	145	28.0	22.8	24.4	13.5	13	80
MV-5/09T	1.5	2	494	294	295	474	498	128	128	187	163	28.9	23.7	25.3	16.5	15	90
MV-5/10T	1.5	2	521	294	295	501	525	128	128	187	163	29.8	24.6	26.2	16.5	15	90
MV-5/11T	2.2	3	548	320	305	528	552	136	136	187	163	30.7	25.5	27.1	20	17.5	90
MV-5/12T	2.2	3	575	320	305	555	579	136	136	187	163	31.6	26.4	28.0	20	17.5	90
MV-5/13T	2.2	3	602	320	305	582	606	136	136	187	163	32.5	27.3	28.9	20	17.5	90
MV-5/14T	2.2	3	629	320	305	609	633	136	136	187	163	33.4	28.2	29.8	20	17.5	90
MV-5/15T	2.2	3	656	320	305	636	660	136	136	187	163	34.3	29.1	30.7	20	17.5	90
MV-5/16T	2.2	3	683	320	305	663	687	136	136	187	163	35.2	30.0	31.6	20	17.5	90

Note : Face mounted motor (B14) - 0.37 to 7.5 kW

NPSHR CURVE

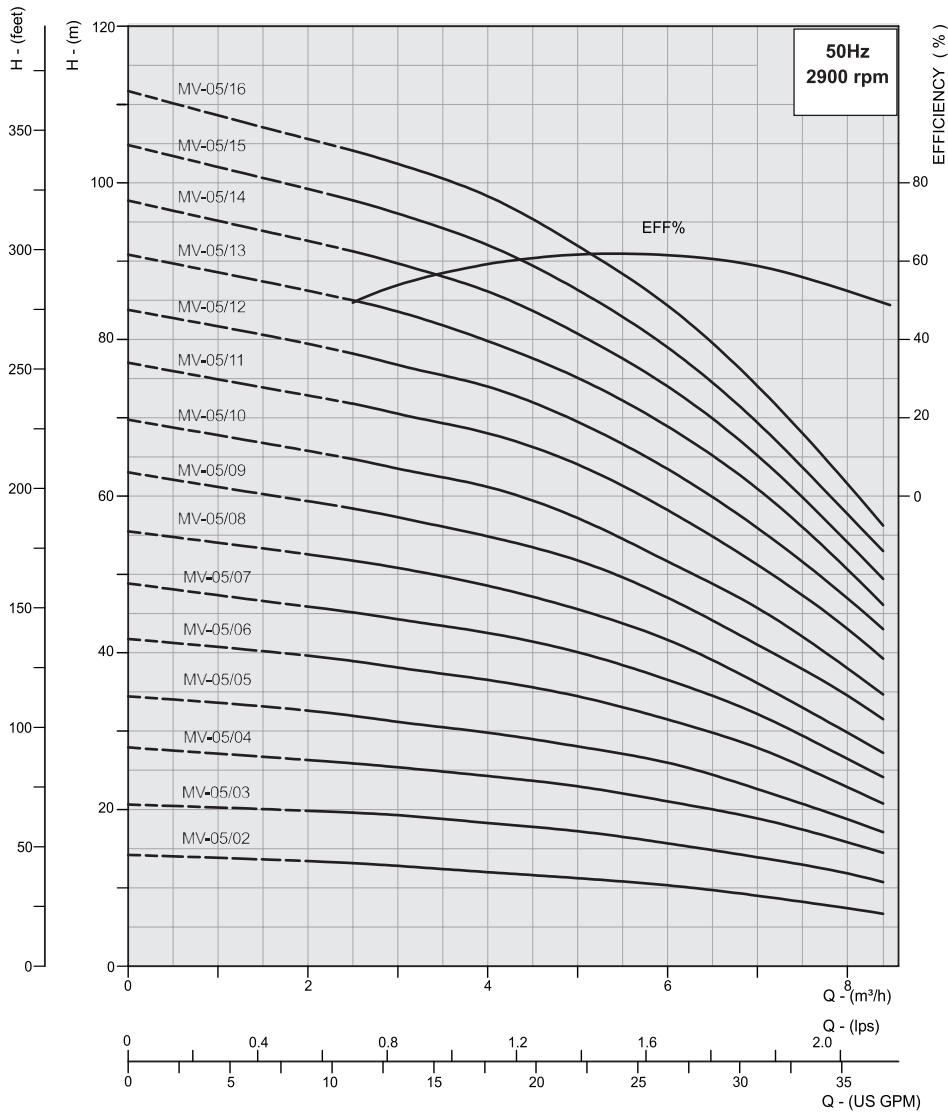


In view of the continuous developments the information / Descriptions / Specifications / illustrations are subject to change without notice.

NOMINAL FLOW : 05m<sup>3</sup>/h

PERFORMANCE CURVES

MV-05



PERFORMANCE TABLE

PIPE SIZE : MVC/S/N - DN32

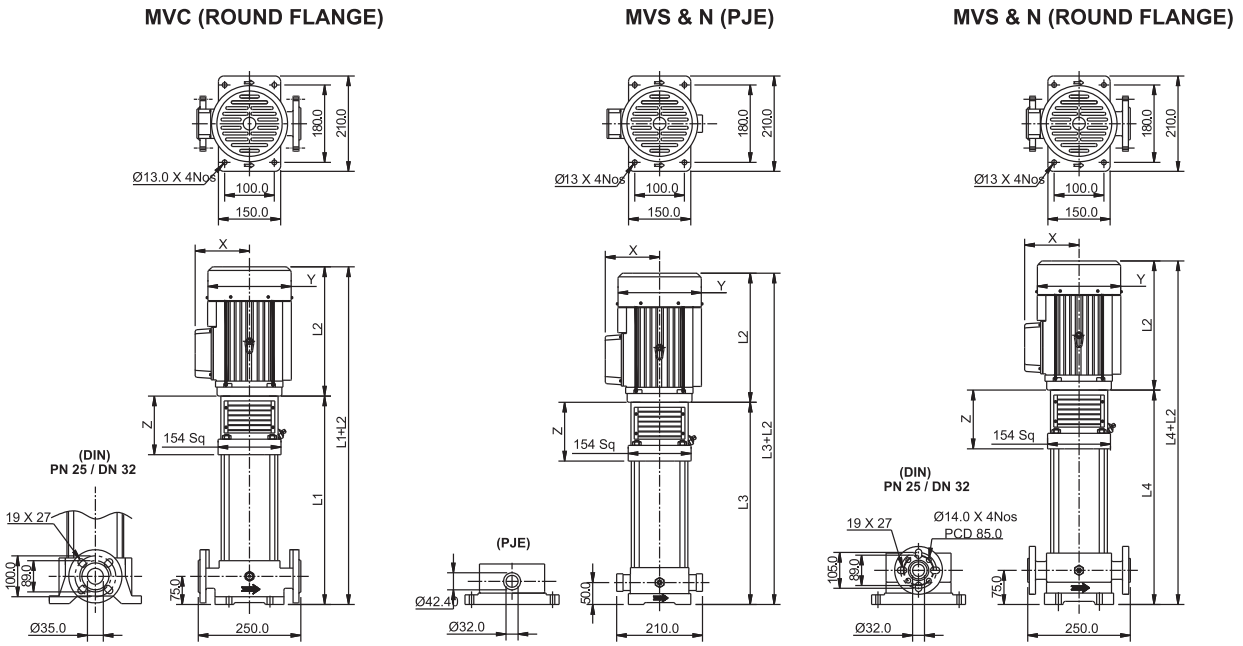
PUMP MODEL	POWER		DISCHARGE															
	kW	HP	lps m <sup>3</sup> /h	0	0.42	0.69	0.83	0.97	1.11	1.25	1.39	1.52	1.66	1.80	1.94	2.08	2.22	2.33
0				1.5	2.5	3	3.5	4	4.5	5	5.5	6	6.5	7	7.5	8	8.4	
MVC/MVS/MVN																		
MV-5/02T	0.37	0.5		14	13	12.8	12.5	12	11.5	11	10.5	10	9.5	8.5	8	7	6	5.5
MV-5/03T	0.55	0.75		21	20	19	18.5	18	17.5	17	16.5	15.5	14.5	13.5	12.5	11.5	10	8.5
MV-5/04T	0.55	0.75		24.5	23.5	23	22.5	22	21.5	21	20.6	20	19	18	17	16	15	14
MV-5/05T	1	1		31.5	30	29	28.5	28	27.5	26.5	25.5	24.5	23.5	22.5	21	19.6	18.5	17.5
MV-5/06T	1.1	1.5		42	39.5	38.5	37.5	37	36	34.5	33.5	31.5	30	28	26	23.6	21.5	19
MV-5/07T	1.1	1.5		45.5	43.5	42	41.5	40.5	39.5	38	37	35.5	33.5	32	30	28	25.5	24
MV-5/08T	1.1	1.5		52	49.5	48	47	46	45	43.5	42	40	38	36	33.5	31	28.5	26.5
MV-5/09T	1.5	2		59.5	57.5	55.5	54.5	53.5	52.5	51	49.5	47.5	45.5	43	40.5	37.5	34.5	32
MV-5/10T	1.5	2		69.5	66.5	64	63	62	60.5	58.5	56.5	54.1	51	48	45	41	37	34
MV-5/11T	2.2	3		76.5	73.5	71.5	70	69	67	65.3	63	60.5	57.5	54.5	50.5	46.5	42.5	38.5
MV-5/12T	2.2	3		80.5	77.5	75.5	74.5	73	71.5	69.5	67	64.5	61.5	58.5	55	51	47	43.5
MV-5/13T	2.2	3		90.5	87	84	83	81	79.5	77	74	71	67.5	64	59.5	55	49.5	45
MV-5/14T	2.2	3		94.5	91	88	86.5	84.5	82.5	80.5	78	74.5	71	67.5	63	58.5	53.5	49.5
MV-5/15T	2.2	3		101.5	97.5	94.5	93	91	88.5	86	83.5	80	76.5	72.5	67.5	62.5	57.5	52.5
MV-5/16T	2.2	3		108	104	100.5	99	96.5	94.5	91.5	88.5	85	81	76.5	71.5	66	60	55

Performance curve tolerances are as per HI : 14.6 / ISO: 9906, Grade 3B

In view of the continuous developments the information / Descriptions / Specifications / illustrations are subject to change without notice.

GENERAL ARRANGEMENT DRAWING, DIMENSION & WEIGHT DATA

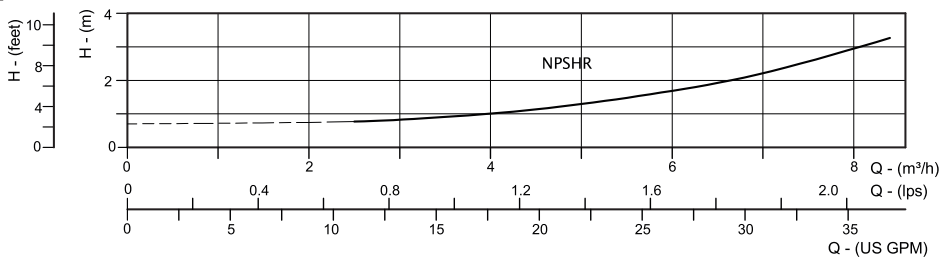
MV-5



PUMP MODEL	POWER		DIMENSIONS (mm)									NET WEIGHT (kg)					MOTOR FRAME SIZE
			L1	L2		L3	L4	X		ØY	Z	PUMP			MOTOR		
	1Ph	3Ph		1Ph	3Ph			MVC (Round)	MVS & N (PJE)			MVS & N (Round)	1Ph	3Ph			
MV-5/18T	3	4	737	-	320	717	741	-	136	187	163	37	32	33	-	24.5	100
MV-5/20T	3	4	791	-	320	771	795	-	136	187	163	39	34	35	-	24.5	100
MV-5/22T	4	5.5	845	-	354	825	849	-	136	187	163	41	35	37	-	27.5	100
MV-5/24T	4	5.5	899	-	354	879	903	-	136	187	163	42	37	39	-	27.5	100
MV-5/26T	4	5.5	953	-	354	933	957	-	136	187	163	44	39	41	-	27.5	100
MV-5/29T	4	5.5	1034	-	354	1014	1038	-	136	187	163	46	42	43	-	27.5	100
MV-5/32T	5.5	7.5	1149	-	385	1129	1153	-	204	257	197	49	44	46	-	49	132S
MV-5/36T	5.5	7.5	1257	-	385	1237	1261	-	204	257	197	52	48	50	-	49	132S

Note : Face mounted motor (B14) - 0.37 to 7.5 kW

NPSHR CURVE

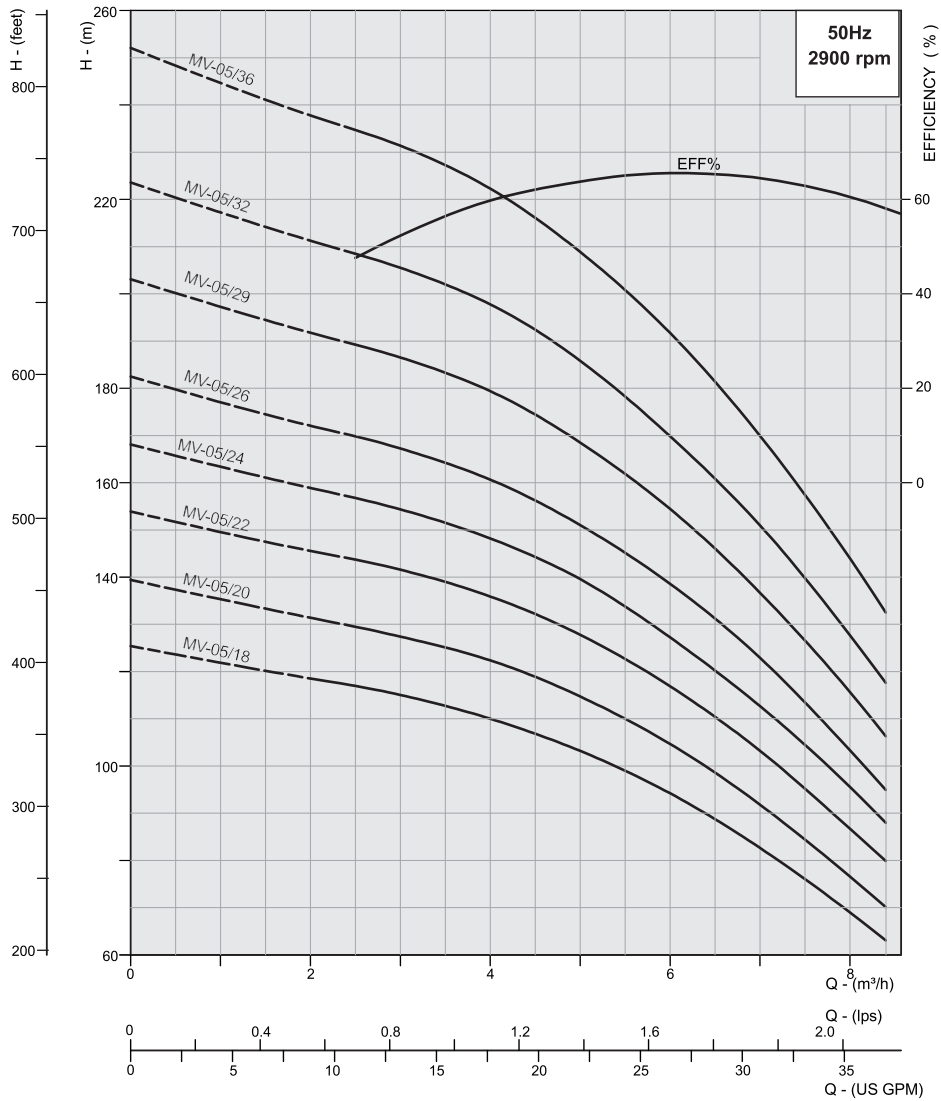


In view of the continuous developments the information / Descriptions / Specifications / illustrations are subject to change without notice.

NOMINAL FLOW : 05m<sup>3</sup>/h

PERFORMANCE CURVES

MV-05



PERFORMANCE TABLE

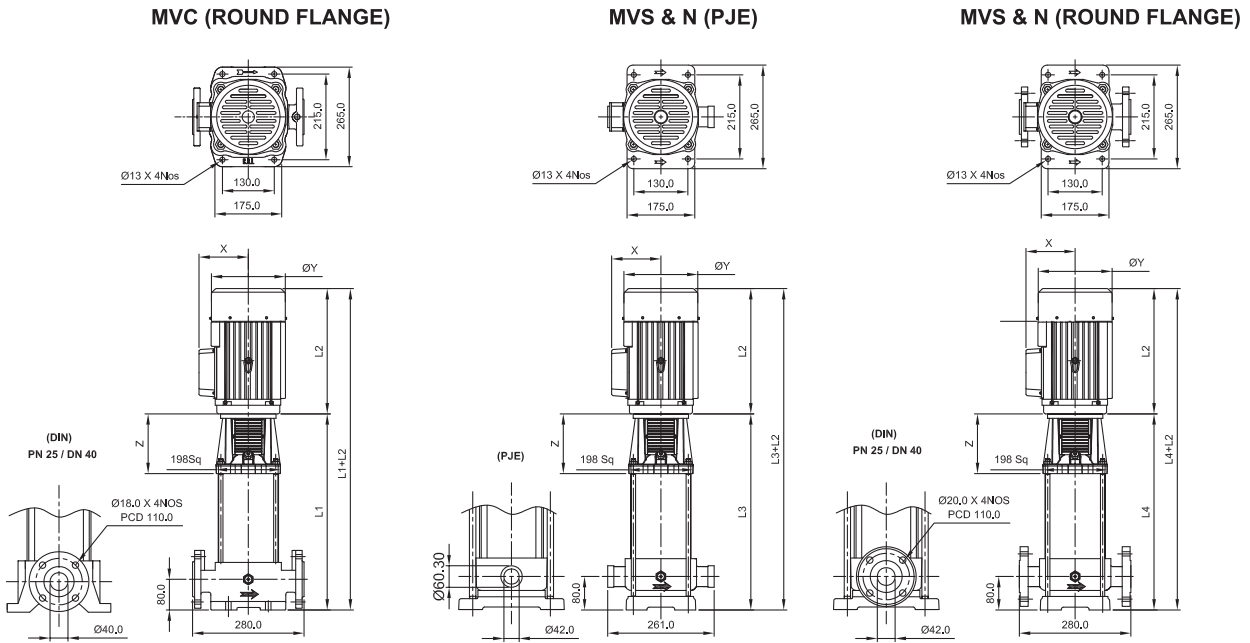
PIPE SIZE : MVC/S/N - DN32

PUMP MODEL	POWER		DISCHARGE																
	kW	HP	lps	0	0.42	0.69	0.83	0.97	1.11	1.25	1.39	1.52	1.66	1.80	1.94	2.08	2.22	2.33	
MVC/MVS/MVN			HEAD (m)	m <sup>3</sup> /h	0	1.5	2.5	3	3.5	4	4.5	5	5.5	6	6.5	7	7.5	8	8.4
MV-5/18T	3	4		122.5	117	114.5	112.5	110.5	108	105	101.5	97.5	93	88	82.5	76.5	70	64.5	
MV-5/20T	3	4		136.5	131	127	125	122.5	119.5	116	112	107.5	102.5	96.5	90.5	84	76.5	70	
MV-5/22T	4	5.5		154	148	143.5	141.5	139	135.5	132	128	123	117	110.5	103.5	96	87.5	80.5	
MV-5/24T	4	5.5		167.5	161	156	154	151	148	144	139	134	128	121	113.5	104.5	95	87.5	
MV-5/26T	4	5.5		178.5	172	167	164.5	161	157.5	153	148	142	135.5	128.5	120.5	111.5	102	93	
MV-5/29T	4	5.5		202.5	194	187.5	184.5	181	177	172	166	159.5	152	143.5	134.5	124	113	103.5	
MV-5/32T	5.5	7.5		224	214	207.5	205	201.5	197	191.5	185	178	169.5	160	149	138	126	115.5	
MV-5/36T	5.5	7.5	248.5	238	231.5	227.5	223	217.5	211	204	195.5	186.5	176.5	165	152.5	139	128		

Performance curve tolerances are as per HI : 14.6 / ISO: 9906, Grade 3B  
 In view of the continuous developments the information / Descriptions / Specifications / illustrations are subject to change without notice.

GENERAL ARRANGEMENT DRAWING, DIMENSION & WEIGHT DATA

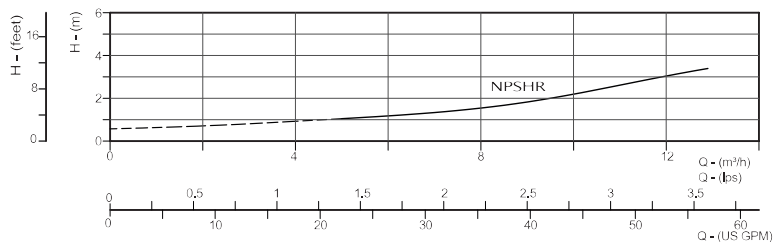
MV-10



PUMP MODEL	POWER		DIMENSIONS (mm)									NET WEIGHT (kg)					MOTOR FRAME SIZE
	kW	HP	L1	L2		L3	L4	X		ØY	Z	PUMP			MOTOR		
				1Ph	3Ph			1Ph	3Ph			MVC (Round)	MVS & N (PJE)	MVS & N (Round)	1Ph	3Ph	
MV-10/01T	0.37	0.5	308	222	217	312	312	132.5	118.5	138	173	32.5	27.5	28.5	9.0	8.0	71
MV-10/02T	0.75	1	338	267	252	342	342	147	116	138	173	33.5	28.5	29.5	12.0	14.0	80
MV-10/03T	1.1	1.5	368	284	265	372	372	141	120	160	173	34.5	29.5	30.5	13.5	13.0	80
MV-10/04T	1.5	2	413	280	292	417	417	144	131	176	187	35.5	30.5	31.5	16.5	15.0	90
MV-10/05T	2.2	3	443	315	311	447	447	144	131	176	187	36.5	31.5	32.5	20.0	17.5	90
MV-10/06T	2.2	3	473	315	311	477	477	144	131	176	187	37.5	32.5	33.5	20.0	17.5	90
MV-10/07T	3	4	506	-	324	510	510	-	144	197	190	38.5	33.5	34.5	-	24.5	100
MV-10/08T	3	4	536	-	324	540	540	-	144	197	190	39.5	34.5	35.5	-	24.5	100
MV-10/09T	3	4	566	-	324	570	570	-	144	197	190	40.5	35.5	36.5	-	24.5	100
MV-10/10T	4	5.5	596	-	350	600	600	-	135	187	190	41.5	36.5	37.5	-	27.5	100
MV-10/12T	4	5.5	656	-	350	660	660	-	135	187	190	43.5	38.5	39.5	-	27.5	100
MV-10/14T	5.5	7.5	742	-	385	746	746	-	205	257	216	49.5	44.5	45.5	-	49.0	132S
MV-10/16T	5.5	7.5	802	-	385	806	806	-	205	257	216	51.5	46.5	47.5	-	49.0	132S
MV-10/18T	7.5	10	862	-	424	866	866	-	205	257	216	53.5	48.5	49.5	-	50.5	132L
MV-10/20T	7.5	10	922	-	424	926	926	-	205	257	216	55.5	50.5	51.5	-	50.5	132L
MV-10/22T	7.5	10	982	-	424	986	986	-	205	257	216	57.5	52.5	53.5	-	50.5	132L

Note : Face mounted motor (B14) - 0.37 to 7.5 kW

NPSHR CURVE



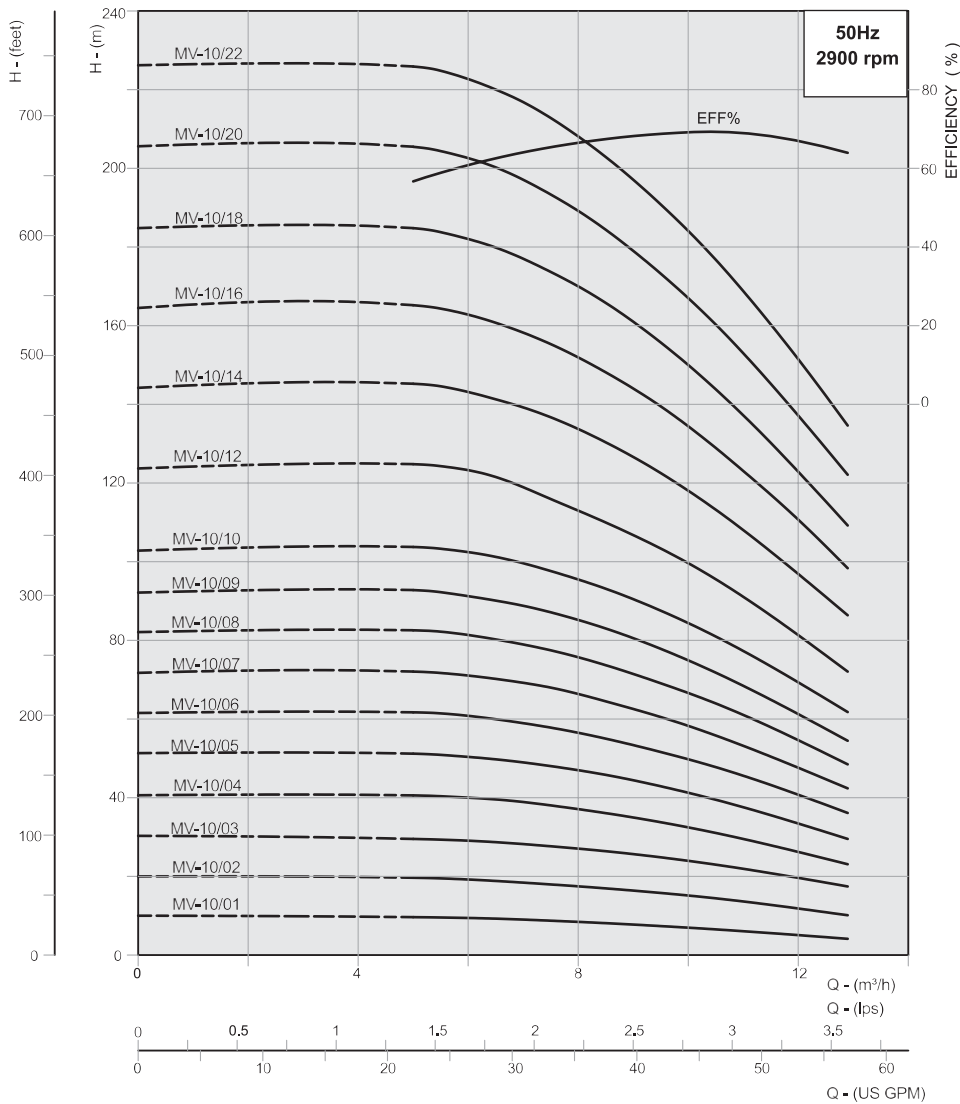
In view of the continuous developments the information / Descriptions / Specifications / illustrations are subject to change without notice.



NOMINAL FLOW : 10m<sup>3</sup>/h

PERFORMANCE CURVES

MV-10



PERFORMANCE TABLE

PIPE SIZE : MVC/S/N - DN40

PUMP MODEL	POWER		DISCHARGE																		
	kW	HP	lps	0	0.69	1.39	1.66	1.80	1.94	2.08	2.22	2.35	2.49	2.63	2.77	2.91	3.05	3.19	3.32	3.46	3.57
MVC/MVS/MVN			m <sup>3</sup> /h	0	2.5	5	6	6.5	7	7.5	8	8.5	8	7.5	7	6.5	6	5.5	5	4.5	4
MV-10/01T	0.37	0.5		10	10	9.5	9.5	9	9	8.5	8.5	8	7.5	7	6.5	6	5.5	5	4.5	4	
MV-10/02T	0.75	1		20	20	19.6	19	18.5	18.5	18	17.5	17	16	15.5	15	14.5	13.5	12.5	11.5	10.5	10
MV-10/03T	1.1	1.5		30	30	29.5	29	28.5	28	27.5	27	26.5	25.5	24.5	24	23	22	20.5	19.5	18.5	17.5
MV-10/04T	1.5	2		41	41	40.5	40	39.5	39	38	37	36	35	33.5	32.6	31	29.5	28	26	24.5	23
MV-10/05T	2.2	3		51	51.5	51	50	49.5	49	48	47	45.5	44.5	43	41	39.5	37.5	35.5	33.5	31	29.5
MV-10/06T	2.2	3		61.5	62	61.5	60.5	60	59	57.5	56.5	55	53	51.5	49.5	47.5	45.5	43	40.5	38	36
MV-10/07T	3	4		71.5	72.5	72	71	70	69	68	66.5	64.5	62.5	60.5	58	55.5	53	50.5	47.5	44.5	42
MV-10/08T	3	4		82	82.5	82.5	81.5	80	79	77.5	75.6	73.5	71.5	69	66.5	64	61	58	54.5	51	48.5
MV-10/09T	3	4		92	93	93	91	90	88.5	87	85	83	80.5	77.5	75	71.5	68.6	65	61	57.5	54.5
MV-10/10T	4	5.5		102.5	104	104	102.5	101	99.5	97.5	95.5	93	90.5	87.5	84.5	81	77	73.5	69	65	61.5
MV-10/12T	4	5.5		123.5	125	125	123.5	121.5	119	116	113	110	106.5	103.5	99.5	95.5	91	86	81	76	72
MV-10/14T	5.5	7.5		144	146	145.5	143	141	139	136.5	133.5	130.5	126.5	122.5	118	113	108	102.5	97	91	86
MV-10/16T	5.5	7.5		164.5	167	165.5	163	160.5	158	155.5	152	148	144	139.5	134.5	129	123	117	110.5	104	98
MV-10/18T	7.5	10		184.5	186	185	182	180	177	173.5	170	166	161	155.5	150	144	137	130	123	115.5	109
MV-10/20T	7.5	10		205.5	207	206	202.5	200.5	197	193.5	189	184.5	179	173	167	160.5	153	145	137	129	122
MV-10/22T	7.5	10		226	227	226.5	222.5	220	217	212.9	208	203	197	190.9	184	177	168.9	160.5	151.5	142	134.5

Performance curve tolerances are as per HI : 14.6 / ISO: 9906, Grade 3B

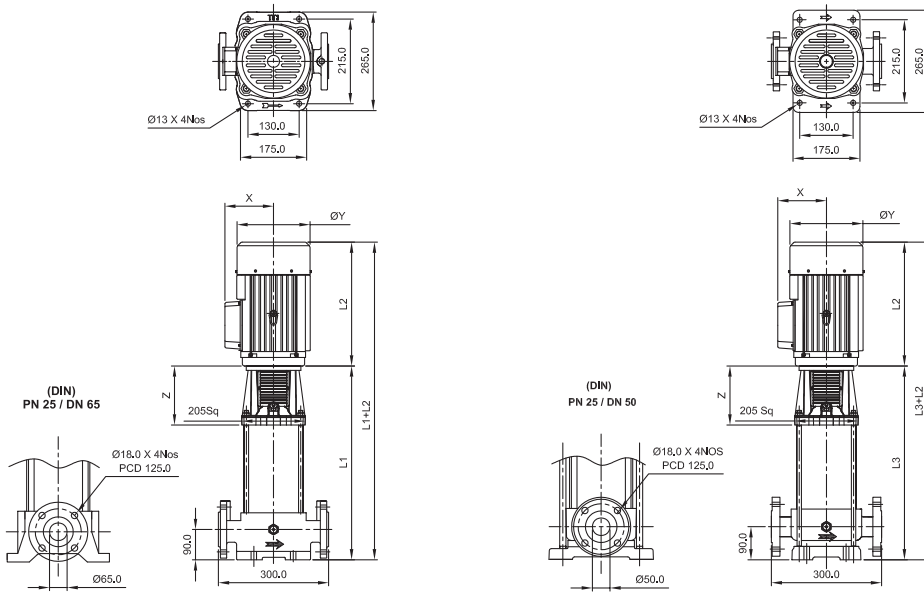
In view of the continuous developments the information / Descriptions / Specifications / illustrations are subject to change without notice.

GENERAL ARRANGEMENT DRAWING, DIMENSION & WEIGHT DATA

MV-15

MVC (ROUND FLANGE)

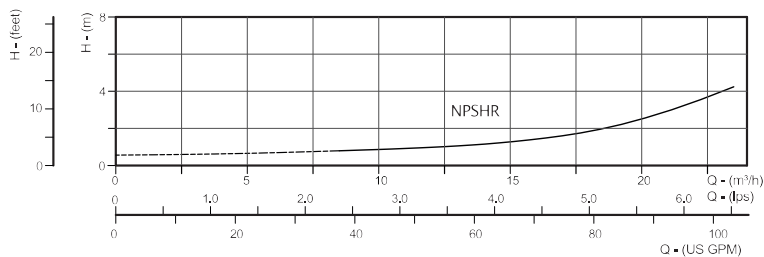
MVS & N (ROUND FLANGE)



PUMP MODEL	POWER		DIMENSIONS (mm)								NET WEIGHT (kg)				MOTOR FRAME SIZE
	kW	HP	L1	L3	L2		X		ØY	Z	PUMP		MOTOR		
			MVC (R)	MVS & N (R)	1Ph	3Ph	1Ph	3Ph			MVC (R)	MVS & N (R)	1Ph	3Ph	
MV-15/01T	1.1	1.5	348	343	284	265	141	120	160	173	38	33	13.5	13	80
MV-15/02T	2.2	3	407	402	315	311	144	131	170	187	39	34	20	17.5	90
MV-15/03T	3	4	455	450	-	324	-	144	197	190	40	35	-	24.5	100
MV-15/04T	4	5.5	500	495	-	350	-	162	187	190	41	36	-	27.5	100
MV-15/05T	4	5.5	545	540	-	350	-	162	187	190	42	37	-	27.5	100
MV-15/06T	5.5	7.5	616	611	-	385	-	205	257	216	46	41	-	49	132S
MV-15/07T	5.5	7.5	661	656	-	385	-	205	257	216	47	42	-	49	132S
MV-15/08T	7.5	10	706	701	-	424	-	205	257	216	48	43	-	50.5	132L
MV-15/09T	7.5	10	751	746	-	424	-	205	257	216	49	44	-	50.5	132L
MV-15/10T	11	15	885	880	-	500.5	-	261	314	305	68	63	-	107	160M
MV-15/12T	11	15	975	970	-	500.5	-	261	314	305	70	65	-	107	160M
MV-15/14T	11	15	1065	1060	-	500.5	-	261	314	305	72	67	-	107	160M
MV-15/17T	15	20	1200	1195	-	500.5	-	261	314	305	75	70	-	117	160M

(R) - Round Flange  
 Note : Face mounted motor (B14) - 0.37 to 7.5 kW  
 Flange mounted motor (B5) - Above 9.3 kW

NPSHR CURVE

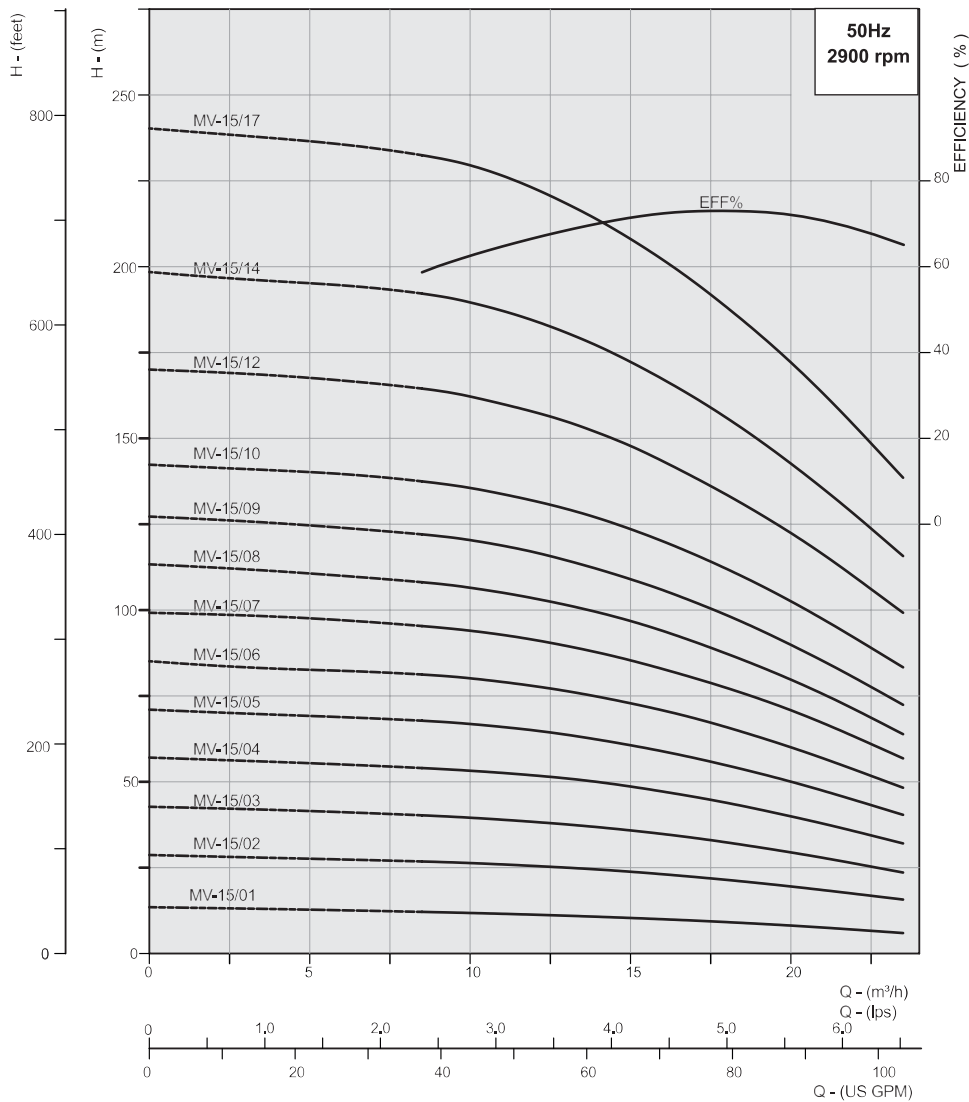


In view of the continuous developments the information / Descriptions / Specifications / illustrations are subject to change without notice.

NOMINAL FLOW : 15m<sup>3</sup>/h

PERFORMANCE CURVES

MV-15



PERFORMANCE TABLE

PIPE SIZE : MVC - DN65, MVS/N - DN50

PUMP MODEL	POWER		DISCHARGE																
	kW	HP	lps	0	0.83	1.66	2.49	3.05	3.60	4.16	4.43	4.71	4.99	5.26	5.54	5.82	6.09	6.37	6.51
MVC/MVS/MVN			m <sup>3</sup> /h	0	3	6	9	11	13	15	16	17	18	19	20	21	22	23	23.5
MV-15/01T	1.1	1.5	HEAD (m)	13.5	13	12.5	12	11.5	11	10.5	10	9.5	9	8.5	8	7.5	7	6	6
MV-15/02T	2.2	3		28.5	28	27.5	26.5	26	25	23.5	23	22	21.5	20.5	19.5	18.5	17	16	15.5
MV-15/03T	3	4		42.5	42	41	40	39	37.5	35.5	34.5	33.5	32	31	29.5	27.5	26	24.5	23.5
MV-15/04T	4	5.5		57	56	55	53.5	52.5	51	48.5	47	45.5	44	42	40	37.5	35.5	33	32
MV-15/05T	4	5.5		71	69.5	69	67.5	66	63.5	60.5	59	57	54.5	52.5	50	47.5	44.5	41.5	40
MV-15/06T	5.5	7.5		85	83	82.5	81	79	76.5	72.5	70.5	68.5	66	63	60	56.5	53.5	50	48
MV-15/07T	5.5	7.5		99	98.5	97	95	92.5	89.5	85	82.5	80	77	74	70.5	67	63	58.5	56.5
MV-15/08T	7.5	10		113	112	110	107.5	105	101.5	96.5	94	90.5	87	83.5	79.5	75.5	71	66	63.5
MV-15/09T	7.5	10		127	126	124	121.5	118.5	114.5	109	106	102	98.5	94	89.5	85	80	75	72.5
MV-15/10T	11	15		142	141	140	137	133.5	129.5	123.5	120	116	112	107.5	102.5	97	91.5	86	83
MV-15/12T	11	15		170	169	167	164	160	155	148	143.5	138.5	133.5	128	122.5	116	109.5	102.5	99
MV-15/14T	11	15		198.5	196	195	191.5	187	180.5	172	167	162	156	149.5	142.5	135.5	127.5	119.5	115.5
MV-15/17T	15	20		240	238	236	231.5	226.5	218.5	208	202	195.5	188	180.5	172	163	153.5	143.5	138.5

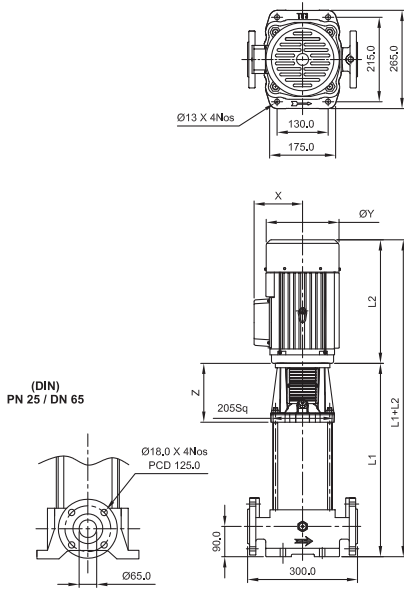
Performance curve tolerances are as per HI : 14.6 / ISO: 9906, Grade 3B

In view of the continuous developments the information / Descriptions / Specifications / illustrations are subject to change without notice.

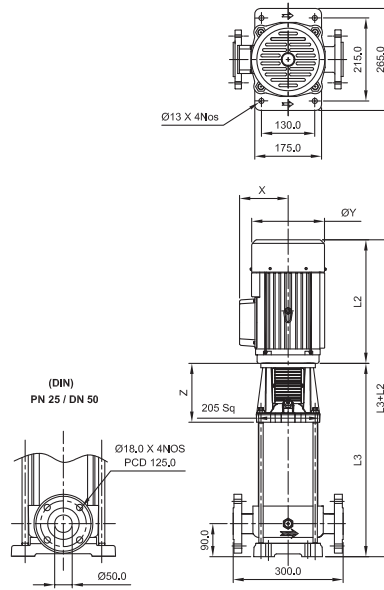
GENERAL ARRANGEMENT DRAWING, DIMENSION & WEIGHT DATA

MV-20

MVC (ROUND FLANGE)



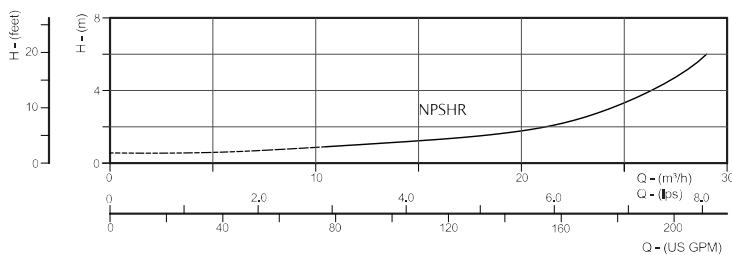
MVS & N (ROUND FLANGE)



PUMP MODEL	POWER		DIMENSIONS (mm)								NET WEIGHT (kg)				MOTOR FRAME SIZE
	kW	HP	L1	L3	L2		X		ØY	Z	PUMP		MOTOR		
MVC (R)			MVS & N (R)	1Ph	3Ph	1Ph	3Ph	MVC (R)			MVS & N (R)	1Ph	3Ph		
MV-20/01T	1.1	1.5	348	343	284	265	141	120	160	173	38	33	13.5	13	80
MV-20/02T	2.2	3	407	402	315	311	144	131	176	187	39	34	20	17.5	90
MV-20/03T	4	5.5	455	447	-	350	-	135	187	190	40	35	-	27.5	100
MV-20/04T	5.5	7.5	529	521	-	385	-	205	257	216	45	40	-	49	132S
MV-20/05T	5.5	7.5	574	566	-	385	-	205	257	216	46	41	-	49	132S
MV-20/06T	7.5	10	619	611	-	424	-	205	257	216	47	42	-	50.5	132L
MV-20/07T	7.5	10	664	656	-	424	-	205	257	216	48	43	-	50.5	132L
MV-20/08T	11	15	798	790	-	500.5	-	261	314	305	67	62	-	107	160M
MV-20/10T	11	15	932	924	-	500.5	-	261	314	305	69	64	-	107	160M
MV-20/12T	15	20	1066	1058	-	500.5	-	261	314	305	71	66	-	117	160M
MV-20/14T	15	20	1200	1192	-	500.5	-	261	314	305	73	68	-	117	160M
MV-20/17T	18.5	25	1334	1326	-	500.5	-	261	314	305	76	71	-	134	160L

(R) - Round Flange  
 Note : Face mounted motor (B14) - 0.37 to 7.5 kW  
 Flange mounted motor (B5) - Above 9.3 kW

NPSHR CURVE

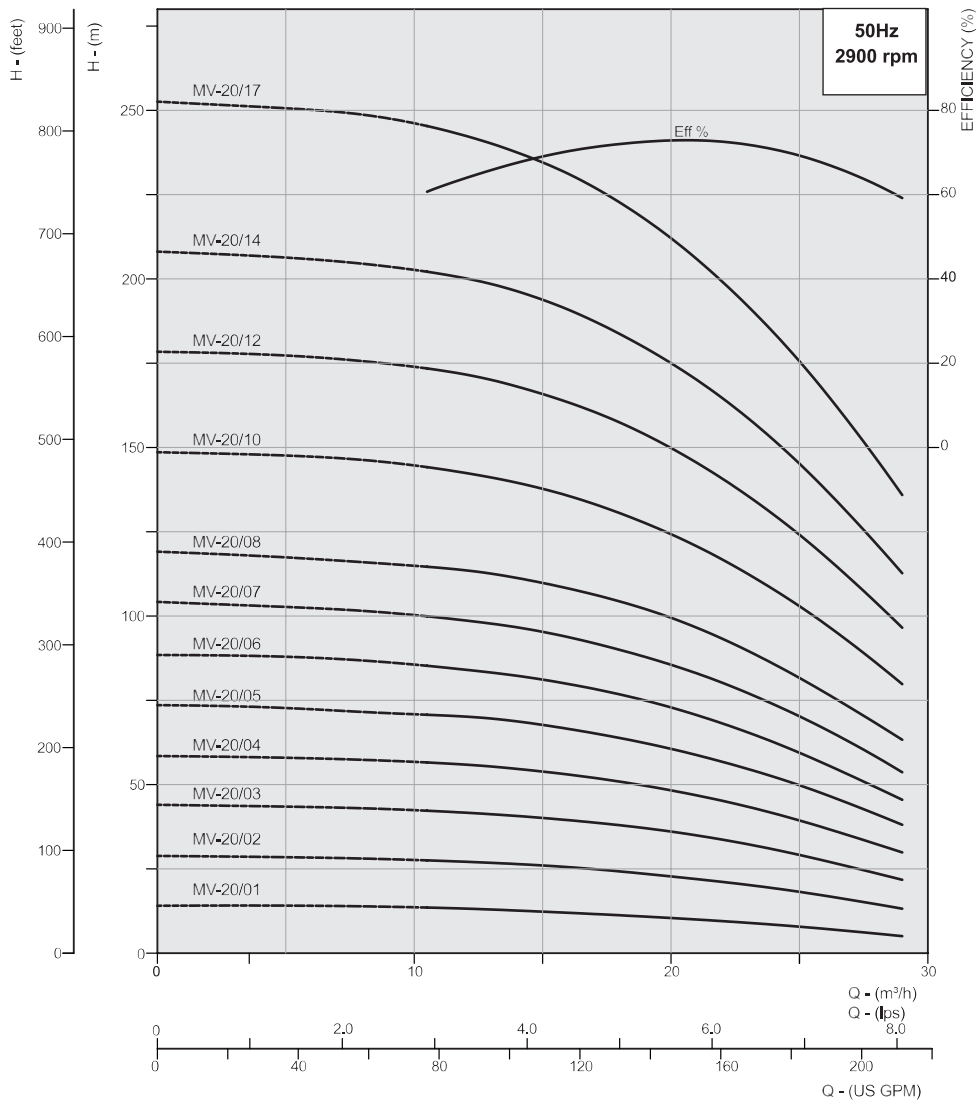


In view of the continuous developments the information / Descriptions / Specifications / illustrations are subject to change without notice.

NOMINAL FLOW : 20m<sup>3</sup>/h

PERFORMANCE CURVES

MV-20



PERFORMANCE TABLE

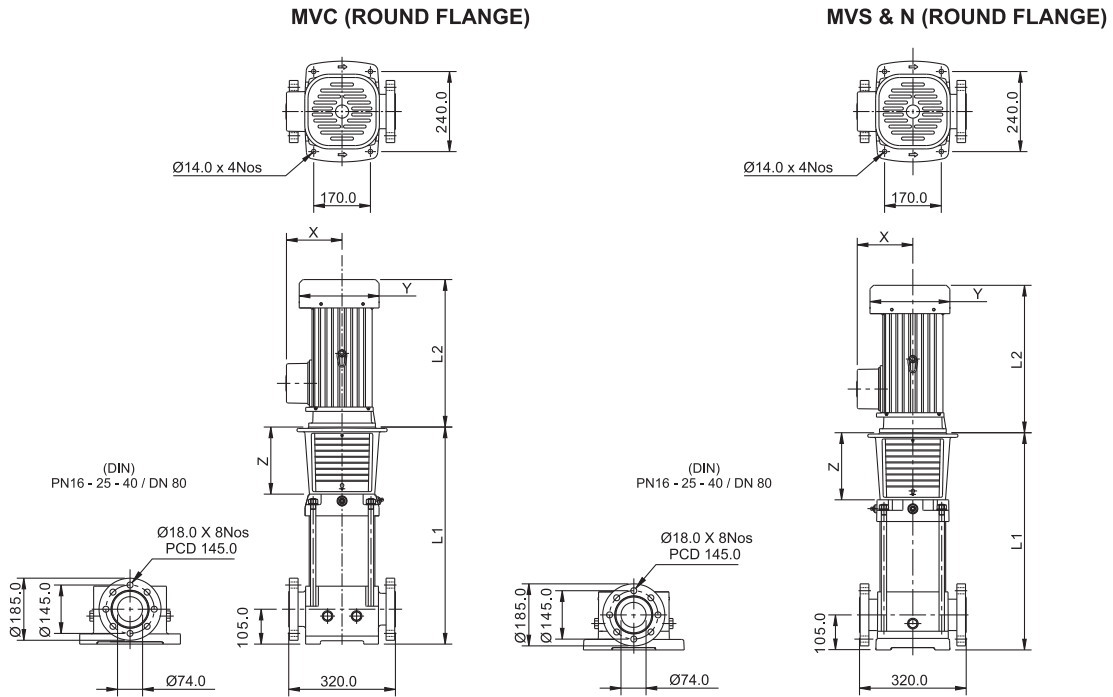
PIPE SIZE : MVC - DN65, MVS/N - DN50

PUMP MODEL	POWER		DISCHARGE													
	kW	HP	lps	0	1.11	2.22	3.32	3.88	4.43	4.99	5.54	6.09	6.65	7.20	7.76	8.03
m <sup>3</sup> /h			0	4	8	12	14	16	18	20	22	24	26	28	29	
MV-20/01T	1.1	1.5	HEAD (m)	14	14	13.5	13	12.5	12	11	10.5	9.5	8.5	7	5.5	5
MV-20/02T	2.2	3		28.5	28.5	28	27	26.5	25.5	24	22.5	21	19	17	14.5	13
MV-20/03T	4	5.5		44	43.5	43	41.5	40.5	39.5	38	36	33.5	30.5	27.5	23.5	21.5
MV-20/04T	5.5	7.5		58.5	58	57.5	56	54.5	53	51	48	45	41.5	37	32	29.5
MV-20/05T	5.5	7.5		73.5	73.5	71	70.5	68.5	66.5	64	60.5	56.5	52.5	47	41	38
MV-20/06T	7.5	10		88.5	88.5	87	84	82.5	80	77	73	68	62.5	56	49	45.5
MV-20/07T	7.5	10		104	103	102	98.5	96.5	93.5	90	85.5	80	73.5	66.5	58	53.5
MV-20/08T	11	15		119	118	116	114	111.5	108	104.5	99.5	93.5	86	77.5	68	63
MV-20/10T	11	15		148.5	148	147	142.5	139.5	136	130.5	124.5	117	108	98	86	79.5
MV-20/12T	15	20		178.5	178	176	172	168	163.5	157.5	150	141	130	118	104	96.5
MV-20/14T	15	20		208	207	205	200.5	196.5	191	184	175	165	152.5	138	121.5	112.5
MV-20/17T	18.5	25		252.5	251	250	242.5	237.5	231.5	223	212.5	199.5	184.5	167	146.5	136

Performance curve tolerances are as per HI : 14.6 / ISO: 9906, Grade 3B  
 In view of the continuous developments the information / Descriptions / Specifications / illustrations are subject to change without notice.

GENERAL ARRANGEMENT DRAWING, DIMENSION & WEIGHT DATA

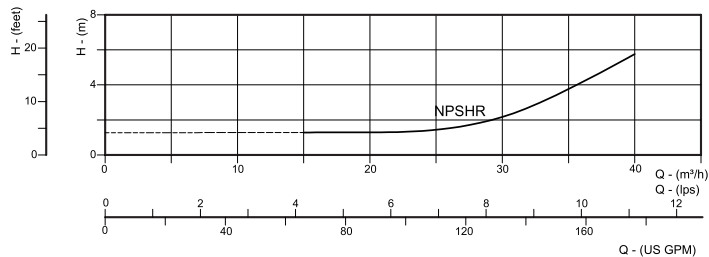
MV-32



PUMP MODEL	POWER		DIMENSIONS (mm)							NET WEIGHT (kg)				MOTOR FRAME SIZE
			L1	L2		X		ØY	Z	PUMP		MOTOR		
				1Ph	3Ph	1Ph	3Ph			MVC (R)	MVS & N (R)	1Ph	3Ph	
MV-32/01AT	1.5	2	510	294	295	128	128	187	201	59	64	16.5	15	90
MV-32/01T	2.2	3	510	320	305	136	136	187	201	59	64	20	17.5	90
MV-32/02BT	3	4	580	-	320	-	136	187	201	62	67	-	24.5	100
MV-32/02T	4	5.5	580	-	354	-	136	187	201	62	67	-	27.5	100
MV-32/03BT	5.5	7.5	650	-	385	-	204	257	201	64	69	-	49	132S
MV-32/03T	5.5	7.5	650	-	385	-	204	257	201	64	69	-	48	132S
MV-32/04BT	7.5	10	720	-	424	-	204	257	201	67	72	-	50.5	132L
MV-32/04T	7.5	10	720	-	424	-	204	257	201	67	72	-	50.5	132L
MV-32/05BT	11	15	895	-	495	-	223	312	305	83	88	-	107	132L
MV-32/05T	11	15	895	-	495	-	223	312	305	83	88	-	107	160M
MV-32/06BT	11	15	965	-	495	-	223	312	305	86	91	-	107	160M
MV-32/06T	11	15	965	-	495	-	223	312	305	86	91	-	107	160M
MV-32/07BT	15	20	1035	-	495	-	223	312	305	89	94	-	117	160M
MV-32/07T	15	20	1035	-	495	-	223	312	305	89	94	-	117	160M
MV-32/08BT	15	20	1105	-	495	-	223	312	305	92	97	-	117	160M

(R) - Round Flange  
 Note : Face mounted motor (B14) - 0.37 to 7.5 kW  
 Flange mounted motor (B5) - Above 9.3 kW

NPSHR CURVE

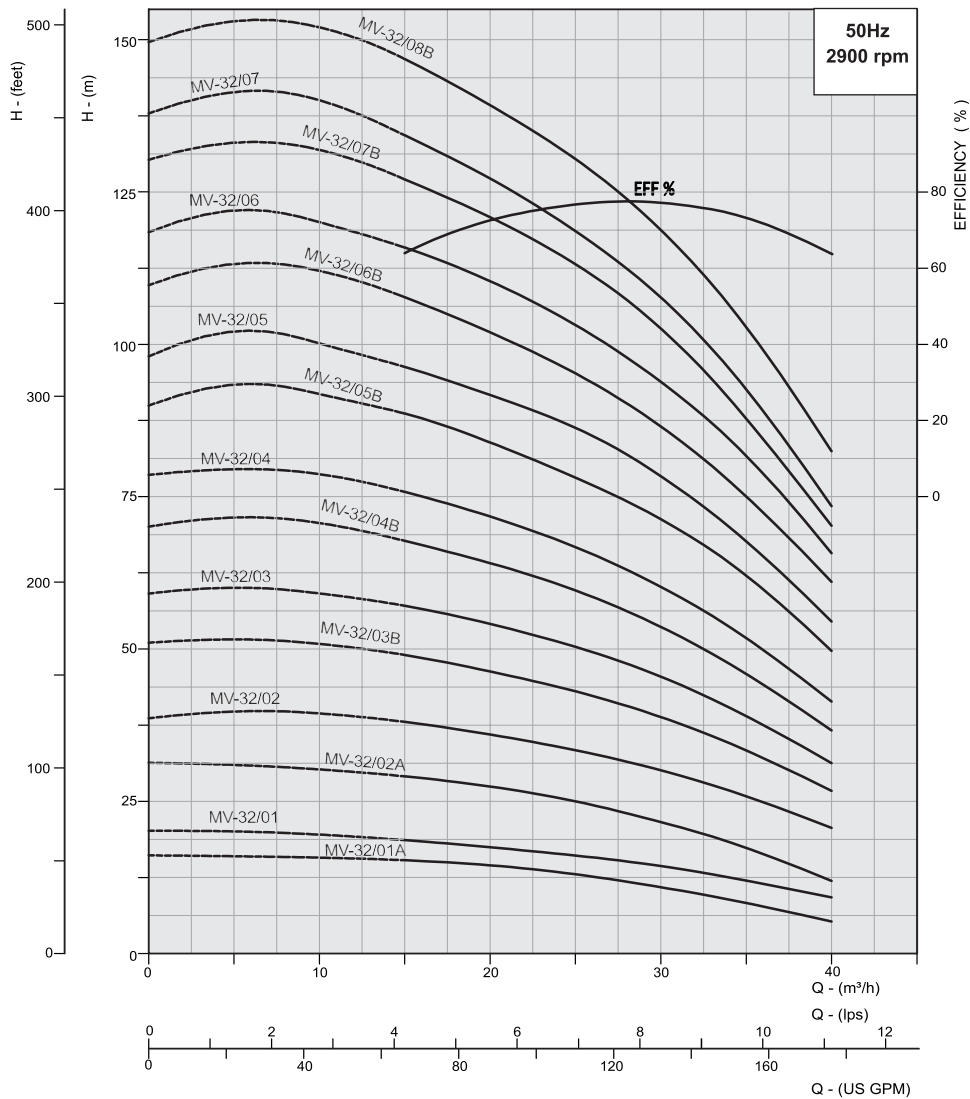


In view of the continuous developments the information / Descriptions / Specifications / illustrations are subject to change without notice.

NOMINAL FLOW : 32m<sup>3</sup>/h

PERFORMANCE CURVES

MV-32



PERFORMANCE TABLE

PIPE SIZE : MVC/S/N - DN80

PUMP MODEL	POWER		DISCHARGE									
	kW	HP	lps	0	1.39	2.77	4.16	5.54	6.93	8.31	9.70	11.08
m <sup>3</sup> /h			0	5	10	15	20	25	30	35	40	
MVC/MVS/MVN			HEAD (m)									
MV-32/01AT	1.5	2		16	16	15.5	15	14.5	13	11	8.5	5
MV-32/01T	2.2	3		20	20	19.5	18.6	17.5	16	14.5	12	9
MV-32/02BT	3	4		31	31	30	29	27.5	25	21.5	17.5	12
MV-32/02T	4	5.5		38.5	40	39.5	38	36	33.5	30	26	20.5
MV-32/03BT	5.5	7.5		51	52	51	49	46	43	39	33.5	26.5
MV-32/03T	5.5	7.5		59	60	59	57	54	50.5	45.5	39	31
MV-32/04BT	7.5	10		70	71.5	70.5	67.5	64	59.5	54	46	36.5
MV-32/04T	7.5	10		78.5	80	79	76	72	67	60.5	52.5	41
MV-32/05BT	11	15		90	93	91.5	88.5	83.5	78	71	62	49.6
MV-32/05T	11	15		98	102	100	96.5	91.5	86	78	67.5	54.5
MV-32/06BT	11	15		109.5	113	112	107.5	102	95.5	87	75.5	61
MV-32/06T	11	15		118.5	122	120	115.5	110.5	103	93.5	81.5	65.5
MV-32/07BT	15	20		130	133	132	127	120.5	113	102.5	88.5	70
MV-32/07T	15	20		138	141	140	134	127	118.5	107.5	92.5	73.5
MV-32/08BT	15	20		149.5	153	152	146.5	139	130	118.5	102.5	76

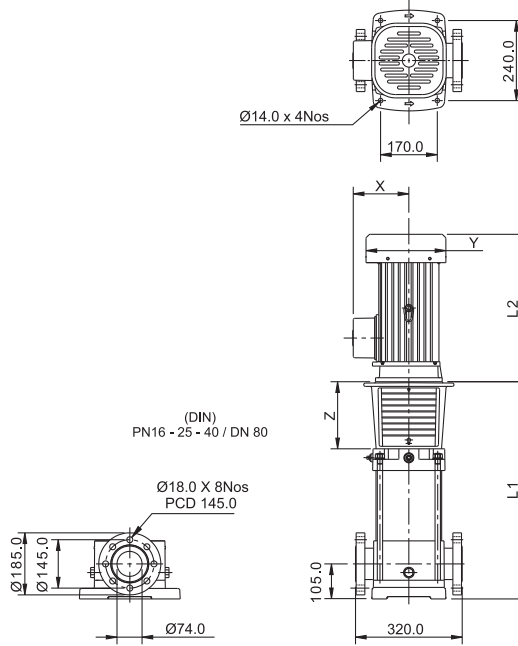
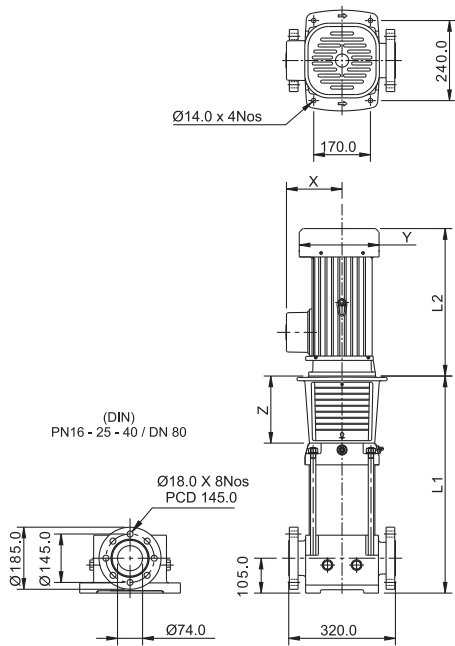
Performance curve tolerances are as per HI : 14.6 / ISO: 9906, Grade 3B

In view of the continuous developments the information / Descriptions / Specifications / illustrations are subject to change without notice.

MV-32

MVC (ROUND FLANGE)

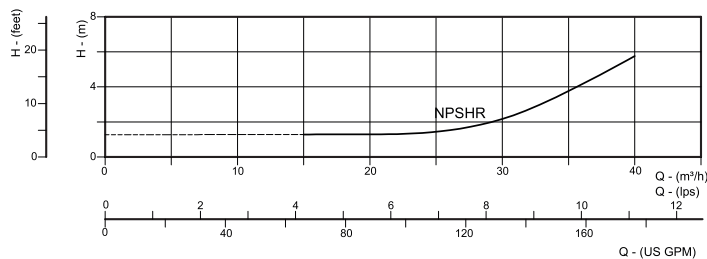
MVS & N (ROUND FLANGE)



PUMP MODEL	POWER		DIMENSIONS (mm)							NET WEIGHT (kg)				MOTOR FRAME SIZE
			L1	L2		X		ØY	Z	PUMP		MOTOR		
				1Ph	3Ph	1Ph	3Ph			MVC (R)	MVS & N (R)	1Ph	3Ph	
MV-32/08T	15	20	1105	-	495	-	223	312	305	92	97	-	117	160M
MV-32/09BT	18.5	25	1175	-	495	-	223	312	305	95	100	-	134	160L
MV-32/09T	18.5	25	1175	-	495	-	223	312	305	95	100	-	134	160L
MV-32/10BT	18.5	25	1245	-	495	-	223	312	305	98	103	-	134	160L
MV-32/10T	18.5	25	1245	-	495	-	223	312	305	98	103	-	134	160L
MV-32/11BT	22	30	1315	-	630	-	271	sq340	305	101	106	-	180	180M
MV-32/11T	22	30	1315	-	630	-	271	sq340	305	101	106	-	180	180M
MV-32/12BT	22	30	1385	-	630	-	271	sq340	305	104	109	-	180	180M
MV-32/12T	22	30	1385	-	630	-	271	sq340	305	104	109	-	180	180M
MV-32/13BT	30	40	1455	-	630	-	271	sq340	305	108	113	-	242	200L
MV-32/13T	30	40	1455	-	630	-	271	sq340	305	108	113	-	242	200L
MV-32/14BT	30	40	1575	-	630	-	271	sq340	305	111	116	-	242	200L
MV-32/14T	30	40	1575	-	630	-	271	sq340	305	111	116	-	242	200L

(R) - Round Flange  
 Note : Flange mounted motor (B5) - Above 9.3 kW

NPSHR CURVE



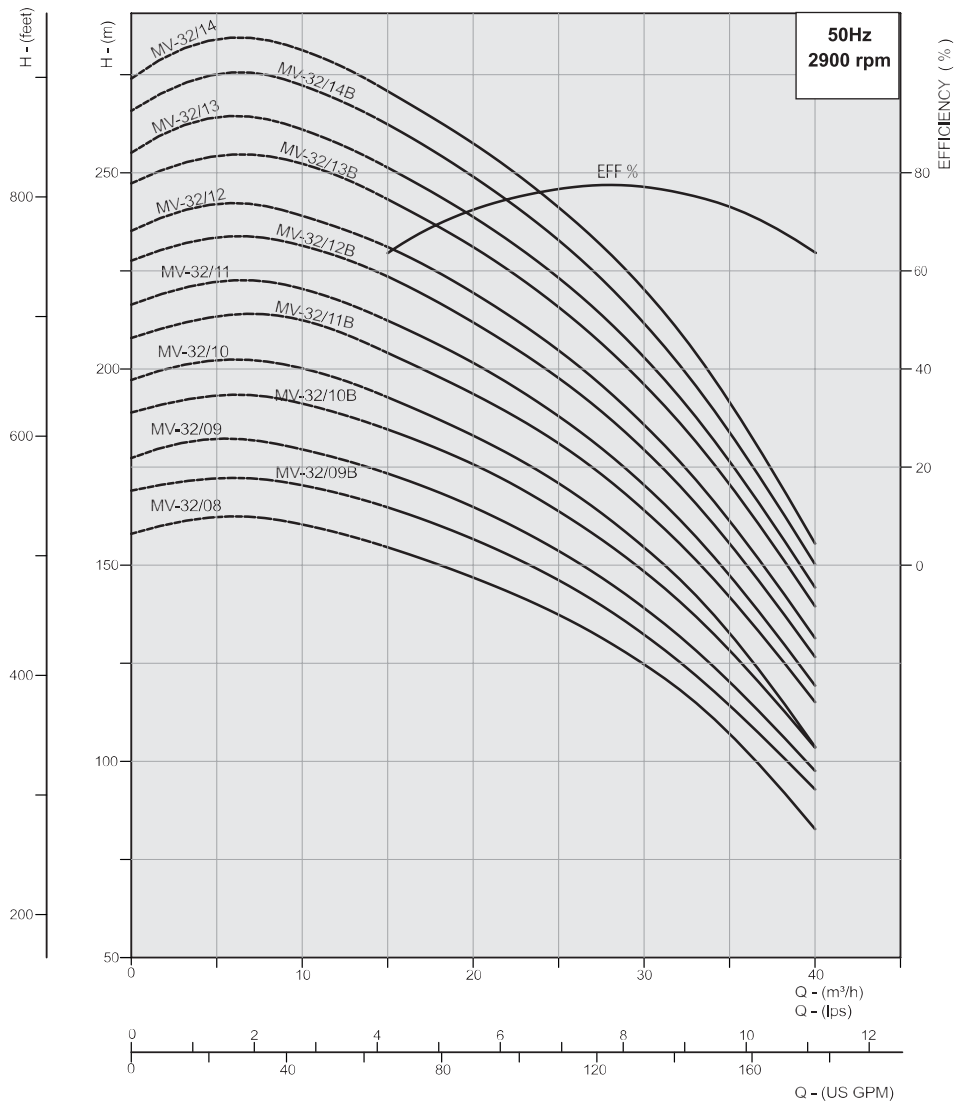
In view of the continuous developments the information / Descriptions / Specifications / illustrations are subject to change without notice.



NOMINAL FLOW : 32m<sup>3</sup>/h

PERFORMANCE CURVES

MV-32



PERFORMANCE TABLE

PIPE SIZE : MVC/S/N - DN80

PUMP MODEL	POWER		DISCHARGE									
	kW	HP	lps	0	1.39	2.77	4.16	5.54	6.93	8.31	9.70	11.08
MVC/MVS/MVN			m <sup>3</sup> /h	0	5	10	15	20	25	30	35	40
MV-32/08T	15	20	HEAD (m)	158	162	161	154.5	147	138	125.5	109	82.5
MV-32/09BT	18.5	25		169	172	171	165	157	146.5	133	115	92.5
MV-32/09T	18.5	25		177	182	180	173.5	165	154	140	121.5	97.5
MV-32/10BT	18.5	25		189	193	191	185	175.5	164	149.5	129.5	103.5
MV-32/10T	18.5	25		197	202	200	193	183.5	171.5	155.5	135	103.5
MV-32/11BT	22	30		208	213	212	204	194	181.5	165	143	115
MV-32/11T	22	30		216.5	222	220	212.5	202	188.5	171.5	149	119
MV-32/12BT	22	30		227.5	233	231	223.5	212	198	180.5	157	126.5
MV-32/12T	22	30		235	242	239	231	219.5	205.5	187	163	131.5
MV-32/13BT	30	40		247	254	252	243	231.5	216.5	197	172	139.5
MV-32/13T	30	40		255	264	261	251.5	239	224	204	178	144
MV-32/14BT	30	40		265.5	275	272	262.5	249.5	233.5	213	185.5	150
MV-32/14T	30	40		274	284	281	270.5	257.5	241	220	191.5	155.5

Performance curve tolerances are as per HI : 14.6 / ISO : 9906, Grade 3B

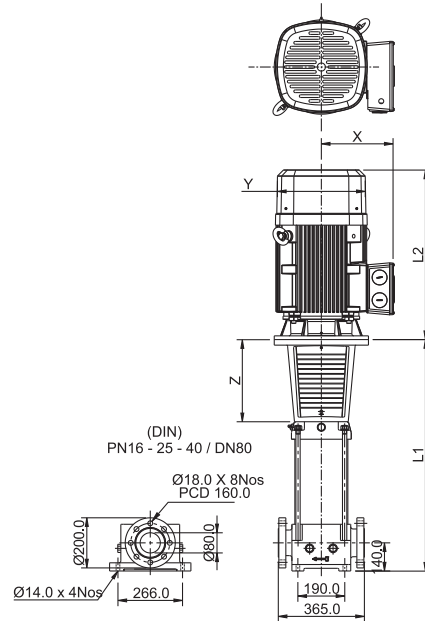
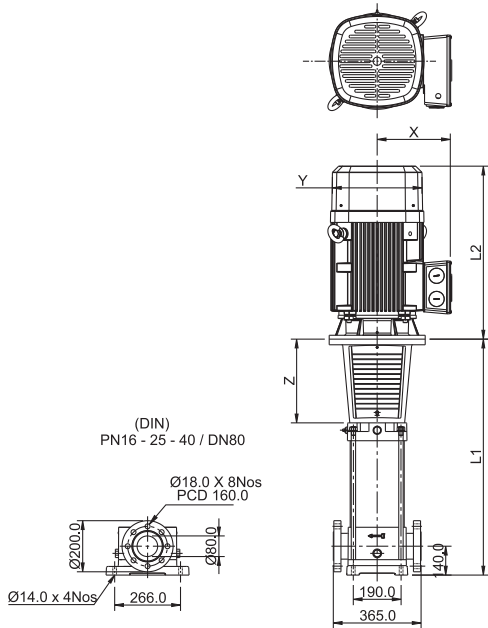
In view of the continuous developments the information / Descriptions / Specifications / illustrations are subject to change without notice.

GENERAL ARRANGEMENT DRAWING, DIMENSION & WEIGHT DATA

MV-44

MVC (ROUND FLANGE)

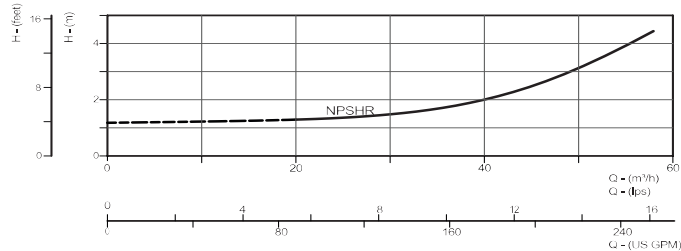
MVS & N (ROUND FLANGE)



PUMP MODEL	POWER		DIMENSIONS (mm)							NET WEIGHT (kg)				MOTOR FRAME SIZE
			L1	L2		X		ØY	Z	PUMP		MOTOR		
				1Ph	3Ph	1Ph	3Ph			MVC (R)	MVS & N (R)	1Ph	3Ph	
MV-44/01AT	3	4	564	-	320	-	136	187	201	67	64	-	24.5	100
MV-44/01T	4	5.5	564	-	354	-	136	187	201	67	64	-	27.5	100
MV-44/02BT	5.5	7.5	644	-	385	-	204	257	201	71	68	-	49	132S
MV-44/02T	7.5	10	644	-	424	-	204	257	201	71	68	-	50.5	132L
MV-44/03BT	11	15	828	-	495	-	223	312	305	89	86	-	107	160M
MV-44/03T	11	15	828	-	495	-	223	312	305	89	86	-	107	160M
MV-44/04BT	15	20	908	-	495	-	223	312	305	93	90	-	117	160M
MV-44/04T	15	20	908	-	495	-	223	312	305	93	90	-	117	160M
MV-44/05BT	18.5	25	988	-	495	-	223	312	305	97	94	-	134	160L
MV-44/05T	18.5	25	988	-	495	-	223	312	305	97	94	-	134	160L
MV-44/06BT	22	30	1068	-	630	-	271	sq340	305	101	98	-	180	180M
MV-44/06T	22	30	1068	-	630	-	271	sq340	305	101	98	-	180	180M

(R) - Round Flange  
 Note : Face mounted motor (B14) - 0.37 to 7.5 kW  
 Flange mounted motor (B5) - Above 9.3 kW

NPSHR CURVE

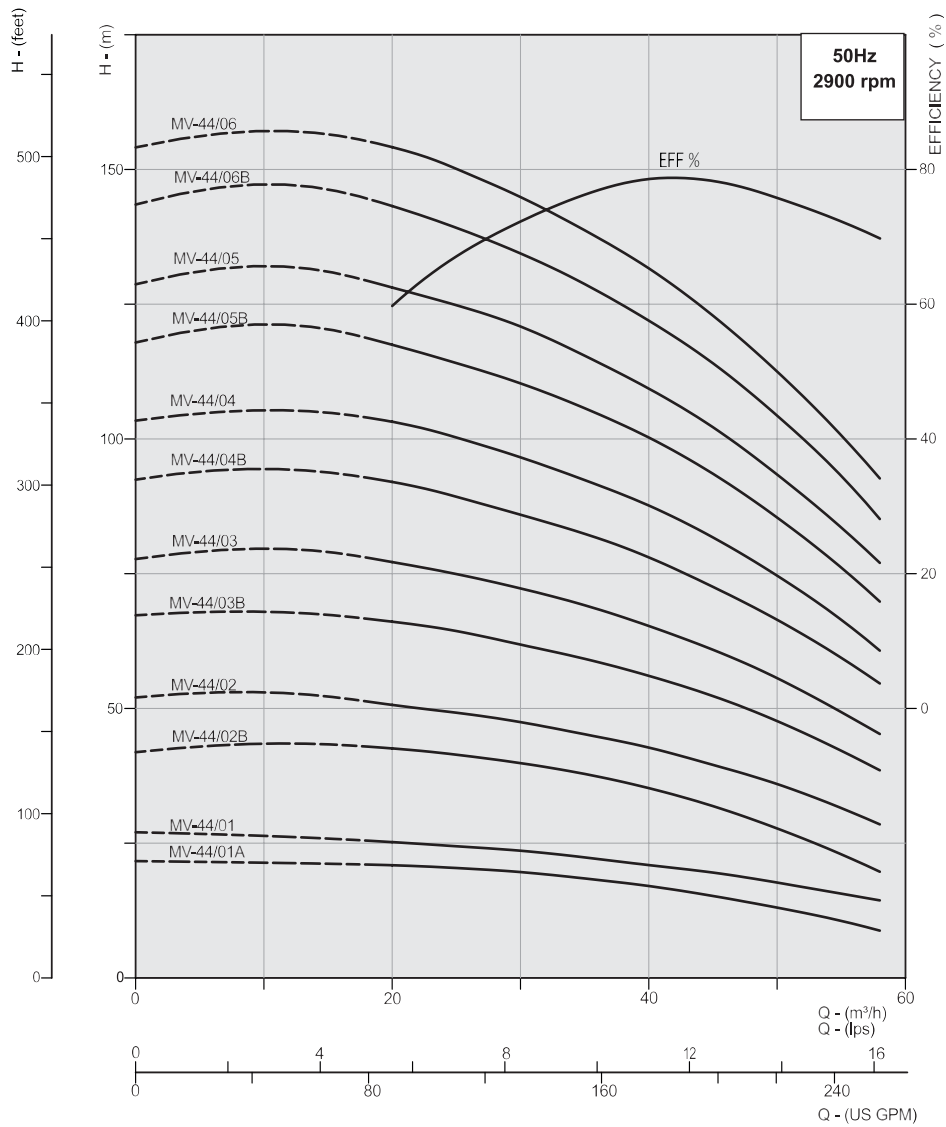


In view of the continuous developments the information / Descriptions / Specifications / illustrations are subject to change without notice.

NOMINAL FLOW : 44m<sup>3</sup>/h

PERFORMANCE CURVES

MV-44



PERFORMANCE TABLE

PIPE SIZE : MVC/S/N - DN80

PUMP MODEL	POWER		DISCHARGE											
	kW	HP	lps	0	2.77	5.54	6.93	8.31	9.70	11.08	12.47	13.85	15.24	16.07
MVC/MVS/MVN			m <sup>3</sup> /h	0	10	20	25	30	35	40	45	50	55	58
MV-44/01AT	3	4	HEAD (m)	21.5	21.5	21	20	19.5	18.5	17	15	13	10.5	8.5
MV-44/01T	4	5.5		27	26.5	25	24.5	23.5	22	20.5	19.5	17.5	15.5	14
MV-44/02BT	5.5	7.5		41.5	43	42.5	41.5	40	38	35	32	27.5	23	19.5
MV-44/02T	7.5	10		52	53	50.5	49	47.5	45	43	39.5	36	31.5	28.5
MV-44/03BT	11	15		67	68	66	64.5	61.5	59	56	52.5	47.5	42	38.5
MV-44/03T	11	15		77.5	79.5	77	75	72	69	65	61	56	49	45
MV-44/04BT	15	20		92.5	94	91.5	89	85.5	82.5	78	72.5	66.5	59.5	54.5
MV-44/04T	15	20		103.5	105	103	100	96.5	92.5	87.5	82	74.5	66.5	60.5
MV-44/05BT	18.5	25		118	105	117.5	114	110.5	105.5	100.5	93.5	85.5	76.5	69.5
MV-44/05T	18.5	25		128.5	132	128	125	121	115.5	109.5	102.5	93.5	83.5	77
MV-44/06BT	22	30		143.5	147	143	139	134.5	129	122	114.5	104.5	93.5	85
MV-44/06T	22	30		154	157	154	150	145	138.5	132	123	112.5	101	92.5

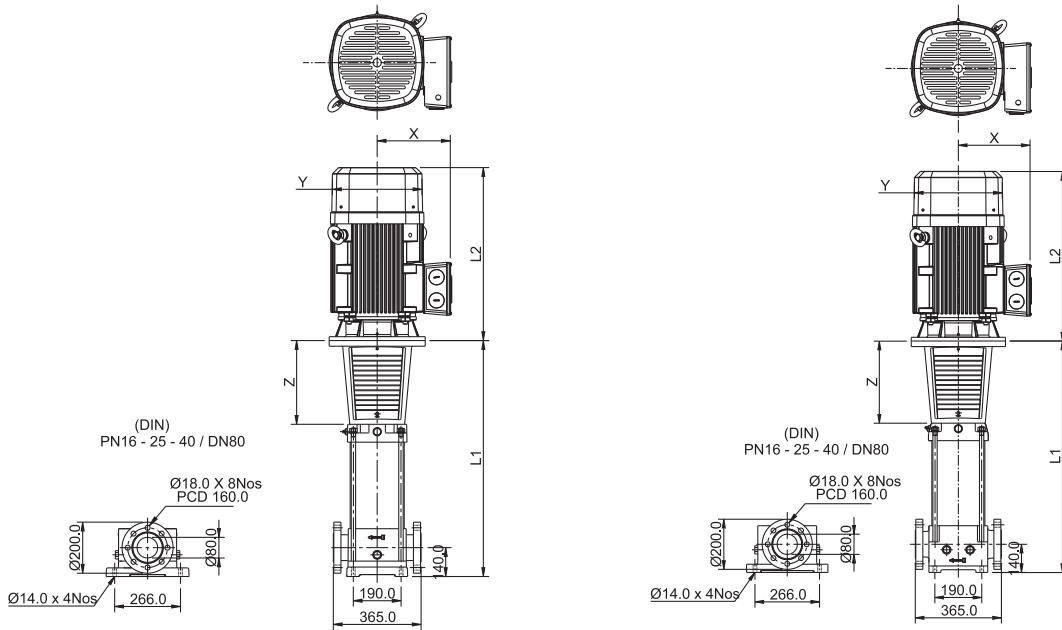
Performance curve tolerances are as per HI : 14.6 / ISO: 9906, Grade 3B  
 In view of the continuous developments the information / Descriptions / Specifications / illustrations are subject to change without notice.

GENERAL ARRANGEMENT DRAWING, DIMENSION & WEIGHT DATA

MV-44

MVC (ROUND FLANGE)

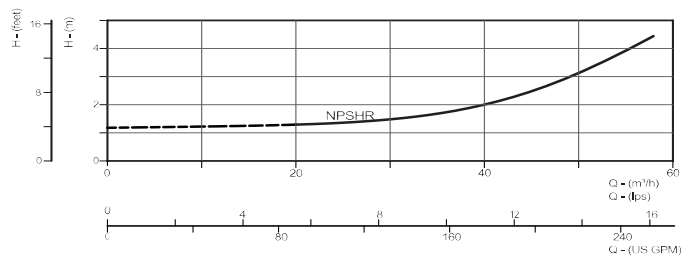
MVS & N (ROUND FLANGE)



PUMP MODEL	POWER		DIMENSIONS (mm)							NET WEIGHT (kg)				MOTOR FRAME SIZE
			L1	L2		X		ØY	Z	PUMP		MOTOR		
				1Ph	3Ph	1Ph	3Ph			MVC (R)	MVS & N (R)	1Ph	3Ph	
MV-44/07BT	30	40	1148	-	630	-	271	sq340	305	106	103	-	242	200L
MV-44/07T	30	40	1148	-	630	-	271	sq340	305	106	103	-	242	200L
MV-44/08BT	30	40	1228	-	630	-	271	sq340	305	110	107	-	242	200L
MV-44/08T	30	40	1228	-	630	-	271	sq340	305	110	107	-	242	200L
MV-44/09BT	30	40	1308	-	630	-	271	sq340	305	114	111	-	242	200L
MV-44/09T	37	50	1308	-	650	-	276	395	305	117	114	-	258	200L
MV-44/10BT	37	50	1388	-	650	-	276	395	305	121	118	-	258	200L
MV-44/10T	37	50	1388	-	650	-	276	395	305	121	118	-	258	200L
MV-44/11BT	45	60	1468	-	695	-	297	435	305	125	122	-	320	225M
MV-44/11T	45	60	1468	-	695	-	297	435	305	125	122	-	320	225M
MV-44/12BT	45	60	1548	-	695	-	297	435	305	129	126	-	320	225M
MV-44/12T	45	60	1548	-	695	-	297	435	305	129	126	-	320	225M
MV-44/13BT	45	60	1628	-	695	-	297	435	305	129	126	-	320	225M

(R) - Round Flange  
Note : Flange mounted motor (B5) - Above 9.3 kW

NPSHR CURVE

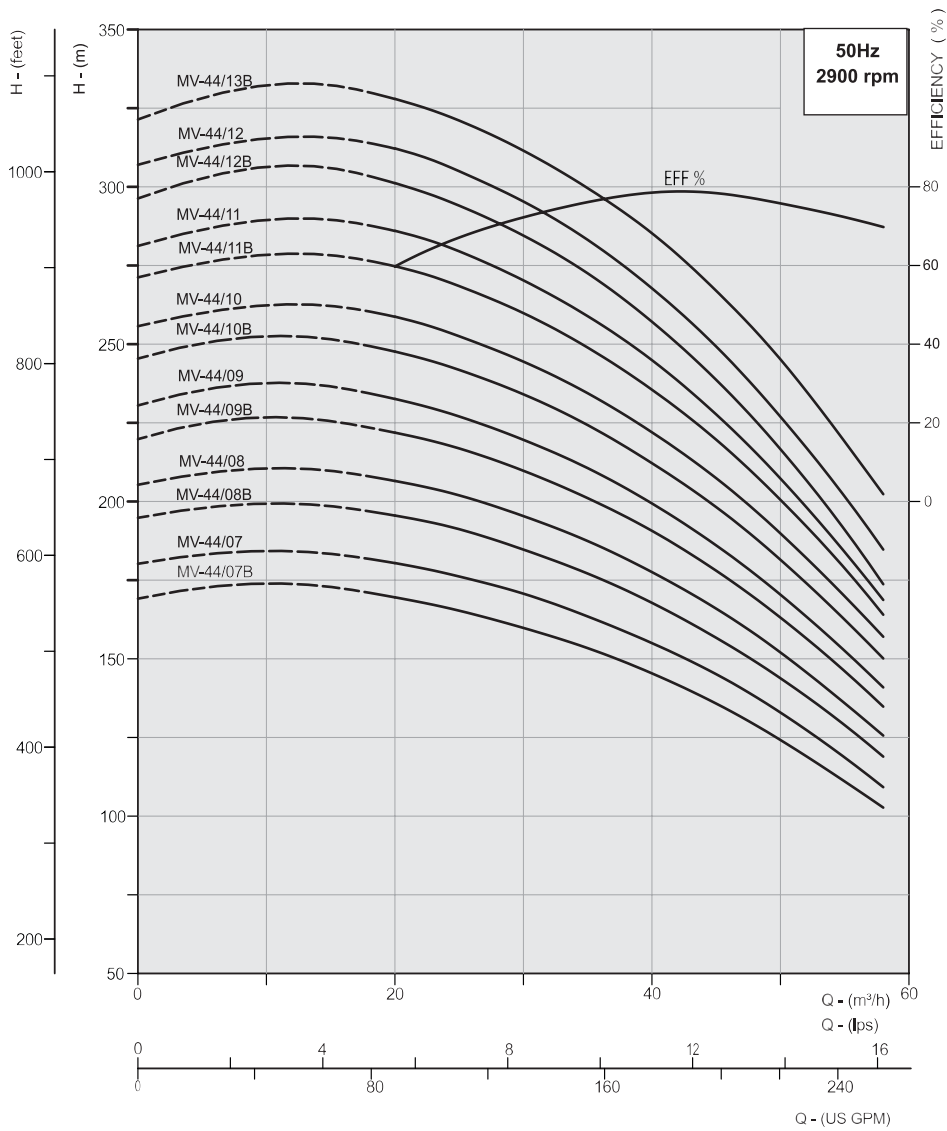


In view of the continuous developments the information / Descriptions / Specifications / illustrations are subject to change without notice.

NOMINAL FLOW : 44m<sup>3</sup>/h

PERFORMANCE CURVES

MV-44



PERFORMANCE TABLE

PIPE SIZE : MVC/S/N - DN80

PUMP MODEL	POWER		DISCHARGE											
	kW	HP	lps	0	2.77	5.54	6.93	8.31	9.70	11.08	12.47	13.85	15.24	16.07
MVC/MVS/MVN			m <sup>3</sup> /h	0	10	20	25	30	35	40	45	50	55	58
MV-44/07BT	30	40	HEAD (m)	169	173	169.5	165.5	160	153.5	145.5	136	124.5	111	102.5
MV-44/07T	30	40		180	184	181	176	171	163.5	155	145.5	133.5	119	109
MV-44/08BT	30	40		194.5	199	196	191.5	184.5	177.5	168	157	144	129	119
MV-44/08T	30	40		205	210	207	202	195.5	187.5	177.5	166	152.5	136	125.5
MV-44/09BT	30	40		219.5	226	222	217	210	201	191	178	163.5	146.5	134.5
MV-44/09T	37	50		230.5	237	232.5	227	219.5	211	199.5	186.5	171	152.5	141
MV-44/10BT	37	50		245.5	252	247.5	242	234.5	224.5	212.5	198.5	182	162.5	150
MV-44/10T	37	50		255.5	262	258.5	252.5	244.5	234.5	222	208	190.5	170	157
MV-44/11BT	45	60		271	278	274.5	268.5	260	249	236	220	201	179.5	164
MV-44/11T	45	60		281	289	285.5	279.5	270.5	259	245.5	228	208	184	168.5
MV-44/12BT	45	60		296	306	301	294	285	273	257.5	239	217.5	191.5	173.5
MV-44/12T	45	60		307	315	312	305	295.5	283.5	268	250	227.5	202	184.5
MV-44/13BT	45	60		321.5	332	327.5	321.5	312	300	285	266.5	244.5	219	202

Performance curve tolerances are as per HI : 14.6 / ISO: 9906, Grade 3B

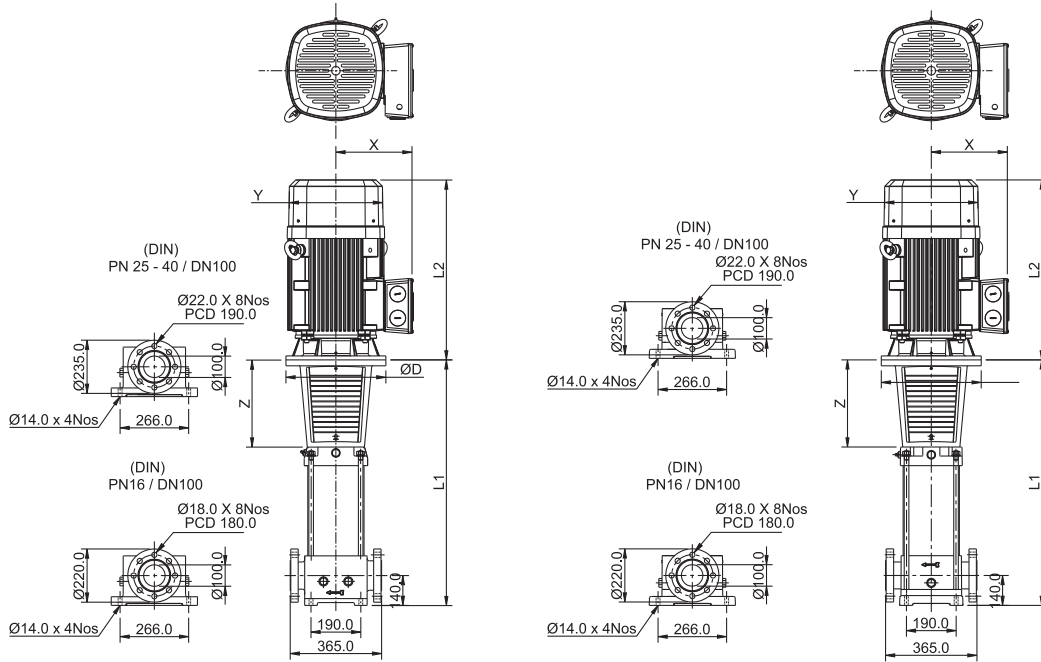
In view of the continuous developments the information / Descriptions / Specifications / illustrations are subject to change without notice.

GENERAL ARRANGEMENT DRAWING, DIMENSION & WEIGHT DATA

MV-66

MVC (ROUND FLANGE)

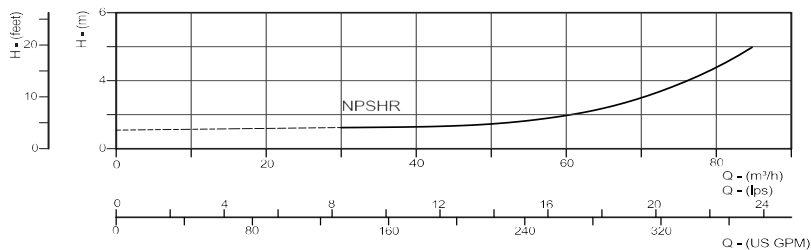
MVS & N (ROUND FLANGE)



PUMP MODEL	POWER		DIMENSIONS (mm)							NET WEIGHT (kg)				MOTOR FRAME SIZE
			L1	L2		X		ØY	Z	PUMP		MOTOR		
				1Ph	3Ph	1Ph	3Ph			MVC (R)	MVS & N (R)	1Ph	3Ph	
MV-66/01AT	4	5.5	564	-	354	-	136	187	201	83	80	-	27.5	100
MV-66/01T	5.5	7.5	564	-	385	-	204	257	201	84	81	-	49	132S
MV-66/02AT	7.5	10	644	-	424	-	204	257	201	87	84	-	50.5	132L
MV-66/02BT	11	15	644	-	495	-	223	312	305	101	98	-	107	160M
MV-66/02T	11	15	644	-	495	-	223	312	305	101	98	-	107	160M
MV-66/03AT	15	20	828	-	495	-	223	312	305	105	102	-	117	160M
MV-66/03BT	15	20	828	-	495	-	223	312	305	105	102	-	117	160M
MV-66/03T	18.5	25	828	-	495	-	223	312	305	105	102	-	134	160L
MV-66/04AT	18.5	25	908	-	495	-	223	312	305	109	106	-	134	160L
MV-66/04BT	22	30	908	-	630	-	271	sq340	305	109	106	-	180	180M
MV-66/04T	22	30	908	-	630	-	271	sq340	305	109	106	-	180	180M

(R) - Round Flange  
 Note : Flange mounted motor (B5) - Above 9.3 kW

NPSHR CURVE

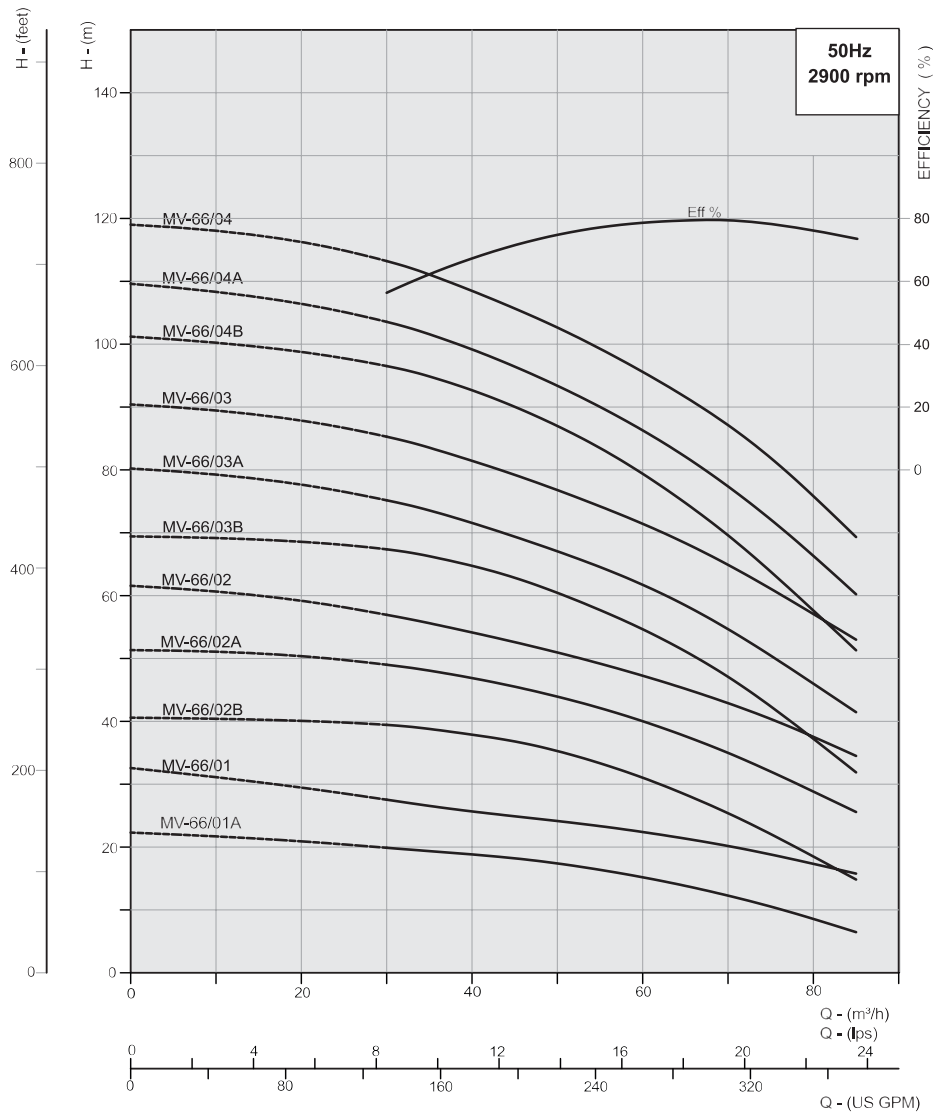


In view of the continuous developments the information / Descriptions / Specifications / illustrations are subject to change without notice.

NOMINAL FLOW : 66m<sup>3</sup>/h

PERFORMANCE CURVES

MV-66



PERFORMANCE TABLE

PIPE SIZE : MVC/S/N - DN100

PUMP MODEL	POWER		DISCHARGE													
	kW	HP	lps	0	4.16	8.31	9.70	11.08	12.47	13.85	15.24	18.01	19.39	20.78	22.16	23.55
MVC/MVS/MVN			m <sup>3</sup> /h	0	15	30	35	40	45	50	55	65	70	75	80	85
MV-66/01AT	4	5.5	HEAD (m)	22.5	21.5	19.5	19	18.5	18	17.5	16.5	13.5	12	10.5	8.5	6.5
MV-66/01T	5.5	7.5		32.5	30.5	27.5	26.5	25.5	24.5	24	23.5	21.5	20	18.5	17.5	15.5
MV-66/02AT	7.5	15		51.5	51	49	48	47	45.5	44	42	37.5	35	32	28.5	25.5
MV-66/02BT	11	10		40.5	40.5	39.5	38.5	37.5	36.6	35	33	28.5	25.5	22	18.5	14.5
MV-66/02T	11	15		61.5	60.5	57	55.5	54	52.5	51	49	45	42.9	40.5	37.5	34.5
MV-66/03AT	15	20		80	79	75	73.5	71.5	69	67	64.5	58.5	54.5	50.5	46	41.5
MV-66/03BT	15	20		69.5	69	67.5	66	64.5	63	60.5	57.5	51	47.1	42.5	37	31.5
MV-66/03T	18.5	25		90.5	89	85.5	83.5	81.5	79	76.5	74	68.5	65	61	57	53
MV-66/04AT	18.5	30		109.5	108	103.5	101.5	99	96.5	93.5	90	82	77.5	72	66.5	60
MV-66/04BT	22	25		101	100	96.5	95	92.5	90	87	83.5	74.5	69.6	64	57.5	51
MV-66/04T	22	30		119	118	113.5	111	108.5	105.5	102.5	99	91.5	87	82	76	69

Performance curve tolerances are as per HI : 14.6 / ISO: 9906, Grade 3B

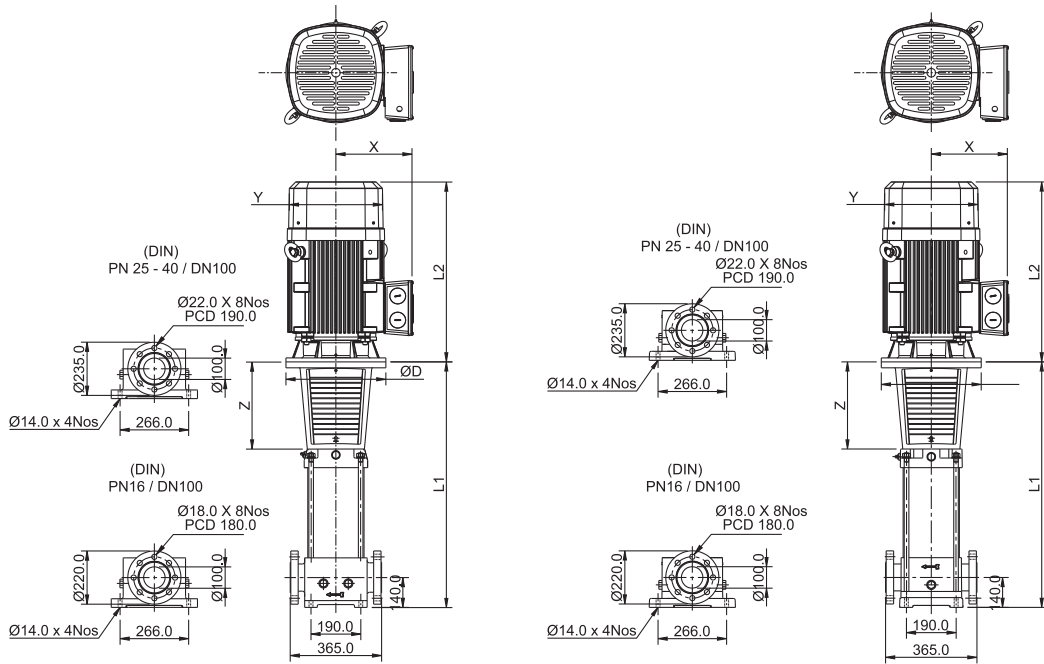
In view of the continuous developments the information / Descriptions / Specifications / illustrations are subject to change without notice.

GENERAL ARRANGEMENT DRAWING, DIMENSION & WEIGHT DATA

MV-66

MVC (ROUND FLANGE)

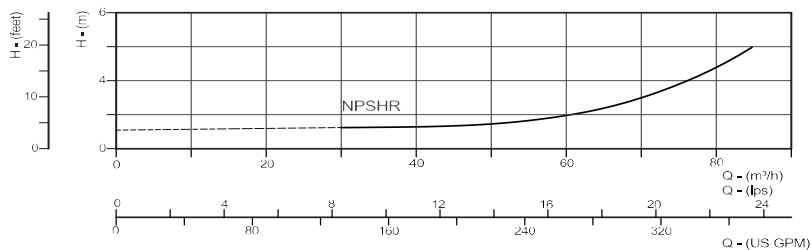
MVS & N (ROUND FLANGE)



PUMP MODEL	POWER		DIMENSIONS (mm)							NET WEIGHT (kg)				MOTOR FRAME SIZE
			L1	L2		X		ØY	Z	PUMP		MOTOR		
				1Ph	3Ph	1Ph	3Ph			MVC (R)	MVS & N (R)	1Ph	3Ph	
MV-66/05AT	30	40	988	-	630	-	271	sq340	305	114	111	-	242	200L
MV-66/05BT	30	40	988	-	630	-	271	sq340	305	114	111	-	242	200L
MV-66/05T	30	40	988	-	630	-	271	sq340	305	114	111	-	242	200L
MV-66/06AT	30	40	1068	-	630	-	271	sq340	305	118	115	-	242	200L
MV-66/06BT	37	50	1068	-	650	-	276	395	305	121	118	-	258	200L
MV-66/06T	37	50	1068	-	650	-	276	395	305	121	118	-	258	200L
MV-66/07AT	37	50	1148	-	650	-	276	395	305	125	122	-	258	200L
MV-66/07BT	37	50	1148	-	650	-	276	395	305	125	122	-	258	200L
MV-66/07T	45	60	1148	-	695	-	297	435	305	125	122	-	320	225M
MV-66/08AT	45	60	1228	-	695	-	297	435	305	129	126	-	320	225M
MV-66/08BT	45	60	1228	-	695	-	297	435	305	129	126	-	320	225M

(R) - Round Flange  
 Note : Flange mounted motor (B5) - Above 9.3 kW

NPSHR CURVE



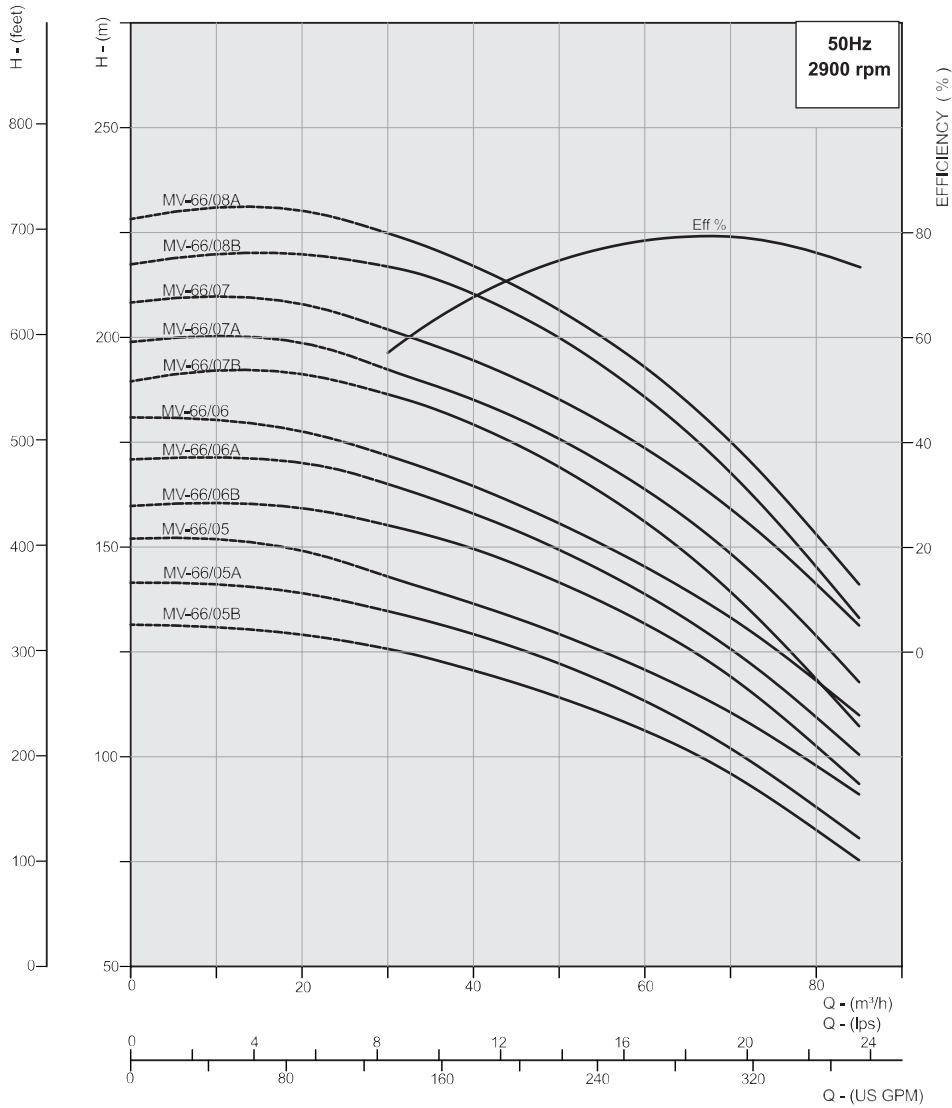
In view of the continuous developments the information / Descriptions / Specifications / illustrations are subject to change without notice.



NOMINAL FLOW : 66m<sup>3</sup>/h

PERFORMANCE CURVES

MV-66



PERFORMANCE TABLE

PIPE SIZE : MVC/S/N - DN100

PUMP MODEL	POWER		DISCHARGE													
	kW	HP	lps	0	4.16	8.31	9.70	11.08	12.47	13.85	15.24	18.01	19.39	20.78	22.16	23.55
MVC/MVS/MVN			m <sup>3</sup> /h	0	15	30	35	40	45	50	55	65	70	75	80	85
MV-66/05AT	30	40	HEAD (m)	141.5	140	134.5	132	129	126	122	118	108	102	95	88	80.5
MV-66/05BT	30	40		131.5	130	126	123.5	120.5	117.5	114	110.5	101.5	96	89.5	82.5	75
MV-66/05T	30	40		152	151	142.5	139.5	136.5	133	129	125	116	110.5	104.5	98	91
MV-66/06AT	37	50		171	171	165	161.5	158	154	149.5	144.5	132.5	125.5	118	109.5	100.5
MV-66/06BT	30	40		159.5	160	155	152.5	149.5	146	141.5	137	126	119	111.5	102.5	93.5
MV-66/06T	37	50		181	179	172	168.5	164.5	160	155.5	150.5	139.5	133	126	118	110
MV-66/07AT	37	50		199	200	192	189	185	181	176	170	156.5	148.5	139.5	129	117.5
MV-66/07BT	37	50		189.5	192	186.5	183.5	179	174.5	169	163	148.5	139.5	129.5	118.5	107
MV-66/07T	45	60		208	209	202	198.5	194.5	190	185	179.5	167	159	150.5	141	131
MV-66/08AT	45	60		228	231	225	221.5	217	212	206.5	200	184.5	175	164.5	153	141
MV-66/08BT	45	60		217.5	220	217	214.5	210.5	205.5	200	193.5	177.5	168	157	145.5	133

Performance curve tolerances are as per HI : 14.6 / ISO: 9906, Grade 3B

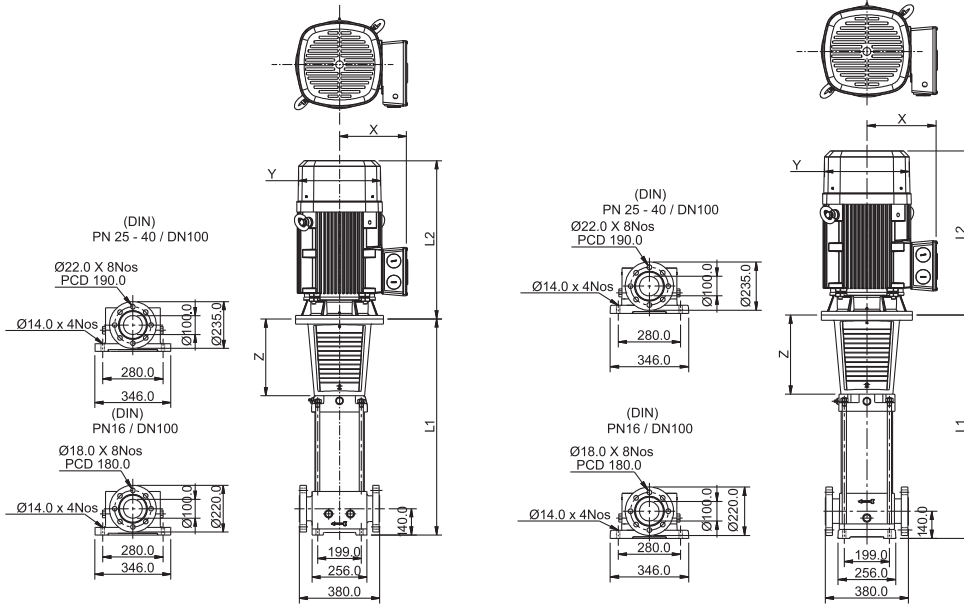
In view of the continuous developments the information / Descriptions / Specifications / illustrations are subject to change without notice.

GENERAL ARRANGEMENT DRAWING, DIMENSION & WEIGHT DATA

MV-90

MVC (ROUND FLANGE)

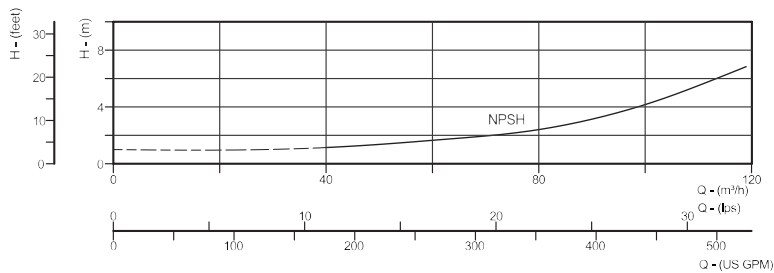
MVS & N (ROUND FLANGE)



PUMP MODEL	POWER		DIMENSIONS (mm)							NET WEIGHT (kg)				MOTOR FRAME SIZE
			L1	L2		X		ØY	Z	PUMP		MOTOR		
				1Ph	3Ph	1Ph	3Ph			MVC (R)	MVS & N (R)	1Ph	3Ph	
MV-90/01AT	5.5	7.5	572	-	385	-	204	257	201	80	78	-	49	132S
MV-90/01T	7.5	10	572	-	424	-	204	257	201	80	78	-	50.5	132L
MV-90/02BT	11	15	768	-	495	-	223	312	305	102	100	-	107	160M
MV-90/02T	15	20	768	-	495	-	223	312	305	102	100	-	117	160M
MV-90/03BT	18.5	25	860	-	495	-	223	312	305	110	108	-	134	160L
MV-90/03T	22	30	860	-	630	-	271	sq340	305	110	108	-	180	180M
MV-90/04BT	30	40	952	-	630	-	271	sq340	305	118	116	-	242	200L
MV-90/04T	30	40	952	-	630	-	271	sq340	305	118	116	-	242	200L
MV-90/05BT	37	50	1044	-	650	-	276	395	305	129	127	-	258	200L
MV-90/05T	37	50	1044	-	650	-	276	395	305	129	127	-	258	200L
MV-90/06BT	45	60	1136	-	695	-	297	435	305	137	135	-	320	225M
MV-90/06T	45	60	1136	-	695	-	297	435	305	137	135	-	320	225M

(R) - Round Flange  
 Note : Face mounted motor (B14) - 0.37 to 7.5 kW  
 Flange mounted motor (B5) - Above 9.3 kW

NPSHR CURVE

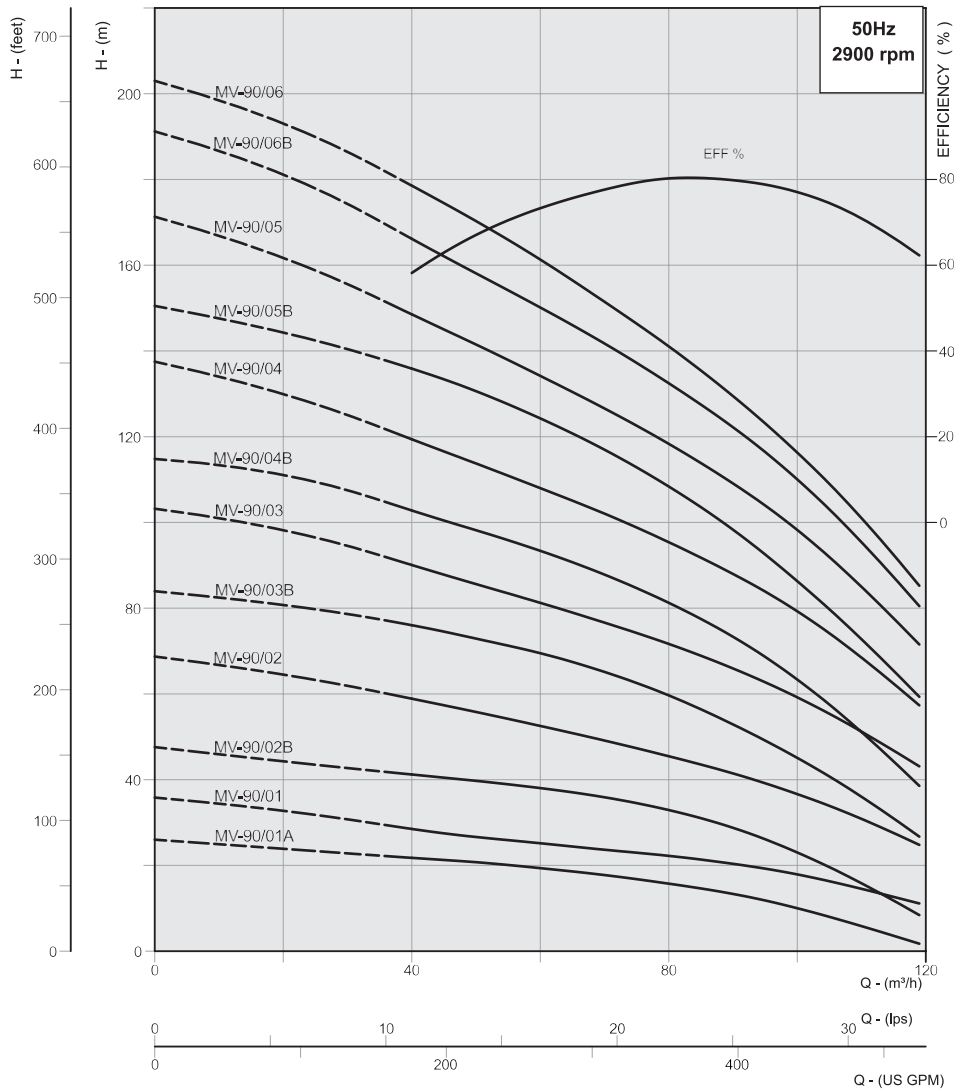


In view of the continuous developments the information / Descriptions / Specifications / illustrations are subject to change without notice.

NOMINAL FLOW : 90m<sup>3</sup>/h

PERFORMANCE CURVES

MV-90



PERFORMANCE TABLE

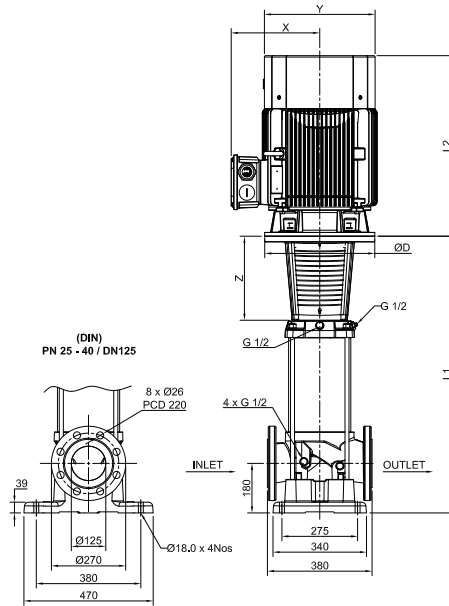
PIPE SIZE : MVC/S/N - DN100

PUMP MODEL	POWER		DISCHARGE												
	kW	HP	lps	0	5.54	11.08	13.85	16.62	19.39	22.16	24.93	27.70	30.47	32.96	
MVC/MVS/MVN			m <sup>3</sup> /h	0	20	40	50	60	70	80	90	100	110	119	
MV-90/01AT	5.5	7.5	HEAD (m)	26	23.5	21.5	20.5	19	17.5	15.5	13.5	10	5.5	1.5	
MV-90/01T	7.5	10		35.5	33	28	26.5	25	23.5	22	20.5	18	14.5	11	
MV-90/02BT	11	15		47.5	44	41	39.5	38	36	33	29	23	16	8.5	
MV-90/02T	15	20		68.5	65	58.5	55.5	52.5	49	45.5	41.5	36.5	31	24.5	
MV-90/03BT	18.5	25		83.5	81	76	72.5	69.5	65	59.5	53	45	36.5	26.5	
MV-90/03T	22	30		103	99	90	85.5	81	76.5	71.5	66	59.5	51.5	43	
MV-90/04BT	30	40		114.5	111	102.5	98	93.5	88	81.5	73.5	63.5	51.5	38.5	
MV-90/04T	30	40		137.5	131	119	113.5	108	102	95.5	88	79.5	68.5	57	
MV-90/05BT	37	50		150.5	145	136	130.5	124.5	117	108.5	98.5	86.5	73	59	
MV-90/05T	37	50		171	163	148.5	141.5	134	126.5	118.5	109	98.5	85.5	71.5	
MV-90/06BT	45	60		191	181	166	158	150	141.5	132.5	122.5	110.5	95.5	80.5	
MV-90/06T	45	60		203	193	178.5	170.5	161.5	151.5	141	129.5	116.5	101.5	85	

Performance curve tolerances are as per HI : 14.6 / ISO: 9906, Grade 3B  
 In view of the continuous developments the information / Descriptions / Specifications / illustrations are subject to change without notice.

GENERAL ARRANGEMENT DRAWING, DIMENSION & WEIGHT DATA

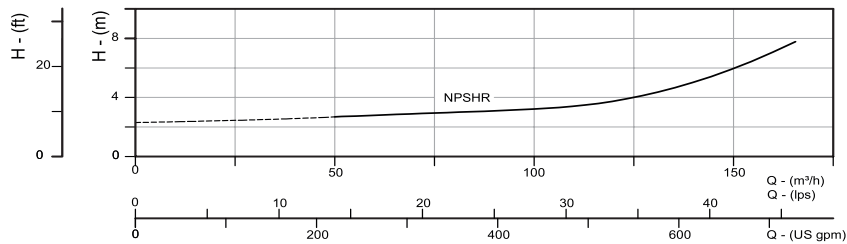
MV-120



PUMP MODEL	POWER		DIMENSIONS (mm)						NET WEIGHT (kg)		MOTOR FRAME SIZE
	kW	HP	L1	L2	X	Y	Z	ØD	MVC (R) / MVS & N (R)	MOTOR	
MV-120/01T	11	15	847	495	223	314	305	350	125	122	160M
MV-120/02AT	18.5	25	1001	495	223	314	305	350	129	151	160L
MV-120/02T	22	30	1001	630	271	340	305	350	129	180	180M
MV-120/03T	30	40	1155	630	271	340	305	400	135	242	200L
MV-120/04AT	37	50	1309	650	276	395	305	400	144	257	200L
MV-120/04T	45	60	1309	695	297	435	305	450	144	320	225M
MV-120/05AT	45	60	1463	695	297	435	305	450	171	320	225M
MV-120/05T	55	75	1488	763	367	484	330	550	171	370	250M
MV-120/06AT	55	75	1640	763	367	484	330	550	190	510	250M
MV-120/07T	75	100	1794	402	402	547	330	550	215	510	280S

(R) - Round Flange  
 Note : Flange mounted motor (B5) - Above 9.3 kW

NPSHR CURVE

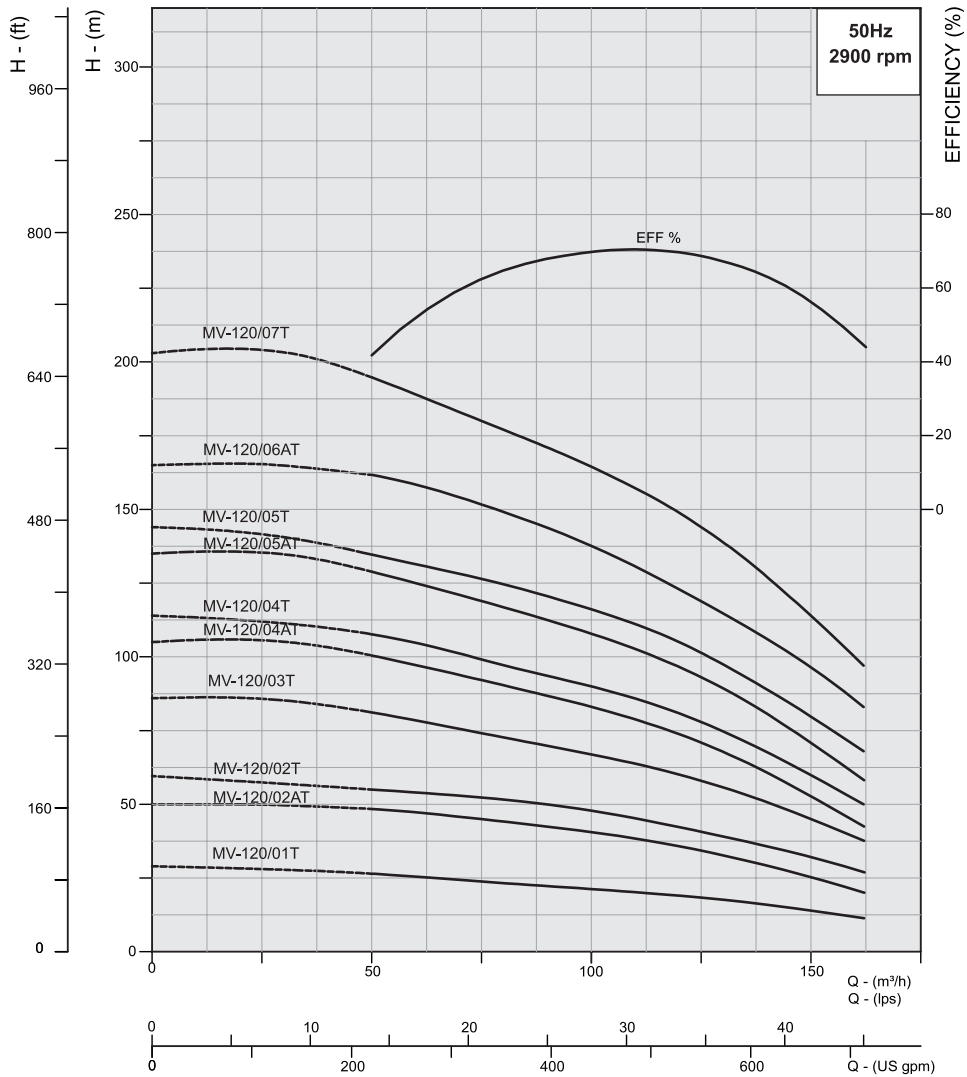


In view of the continuous developments the information / Descriptions / Specifications / illustrations are subject to change without notice.

NOMINAL FLOW : 120m<sup>3</sup>/h

PERFORMANCE CURVES

MV-120



PERFORMANCE TABLE

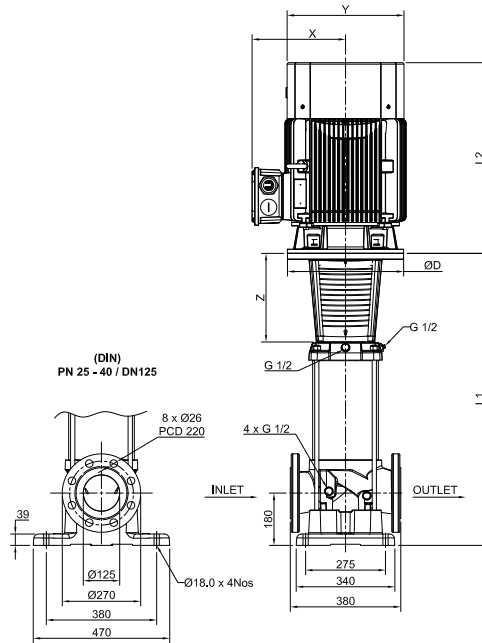
PIPE SIZE : MVC/S/N - DN125

PUMP MODEL	POWER		DISCHARGE								
	kW	HP	lps	0	5.54	11.08	16.62	22.16	33.24	38.78	44.32
MVC/MVS/MVN			m <sup>3</sup> /h	0	20	40	60	80	120	140	160
MV-120/01T	11	15	HEAD (m)	29.5	28.5	27.5	26	24	20	17.5	13.5
MV-120/02AT	18.5	25		50	49.5	49	47	44	35	28.5	20
MV-120/02T	22	30		59	57.5	55.5	54	51	42	35.5	27.5
MV-120/03T	30	40		86	85.5	83.5	78.5	72.5	59.5	50.5	38.5
MV-120/04AT	37	50		104.5	105	102	97	90	73	61	44.5
MV-120/04T	45	60		114	112	110	104.5	97	80.5	67.5	51.5
MV-120/05AT	45	60		135	136	132	125	117	95.5	80.5	60
MV-120/05T	55	75		144	143	137	131.5	124.5	105	89	70
MV-120/06AT	55	75		165	166	164	158	149	123	106	85.5
MV-120/07T	75	100		202.5	205	200	189.5	177.5	148	128	100

Performance curve tolerances are as per HI : 14.6 / ISO: 9906, Grade 3B  
 In view of the continuous developments the information / Descriptions / Specifications / illustrations are subject to change without notice.

GENERAL ARRANGEMENT DRAWING, DIMENSION & WEIGHT DATA

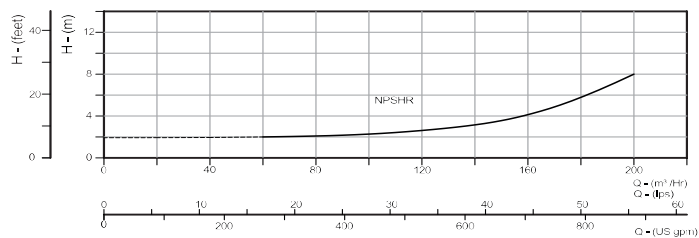
MV-150



PUMP MODEL	POWER		DIMENSIONS (mm)						NET WEIGHT (kg)		MOTOR FRAME SIZE
			L1	L2	X	Y	Z	ØD	PUMP	MOTOR	
MVC/MVS/MVN	kW	HP							MVC (R) / MVS & N (R)		
MV-150/01AT	11	15	847	495	223	314	305	350	125	122	160M
MV-150/01T	15	20	847	495	223	314	305	350	125	131	160M
MV-150/02AT	22	30	1003	630	271	Sq 340	305	350	129	180	180M
MV-150/02T	30	40	1003	630	271	Sq 340	305	400	129	242	200L
MV-150/03BT	30	40	1159	630	271	Sq 340	305	400	135	242	200L
MV-150/03T	37	50	1159	650	276	395	305	400	135	258	200L
MV-150/04AT	45	60	1313	695	297	435	305	450	144	320	225M
MV-150/05BT	55	75	1494	763	367	484	330	550	171	370	250M
MV-150/05T	75	100	1494	835	402	547	330	550	171	510	280S
MV-150/06T	75	100	1650	835	402	547	330	550	191	510	280S

(R) - Round Flange  
 Note : Flange mounted motor (B5) - Above 9.3 kW

NPSHR CURVE

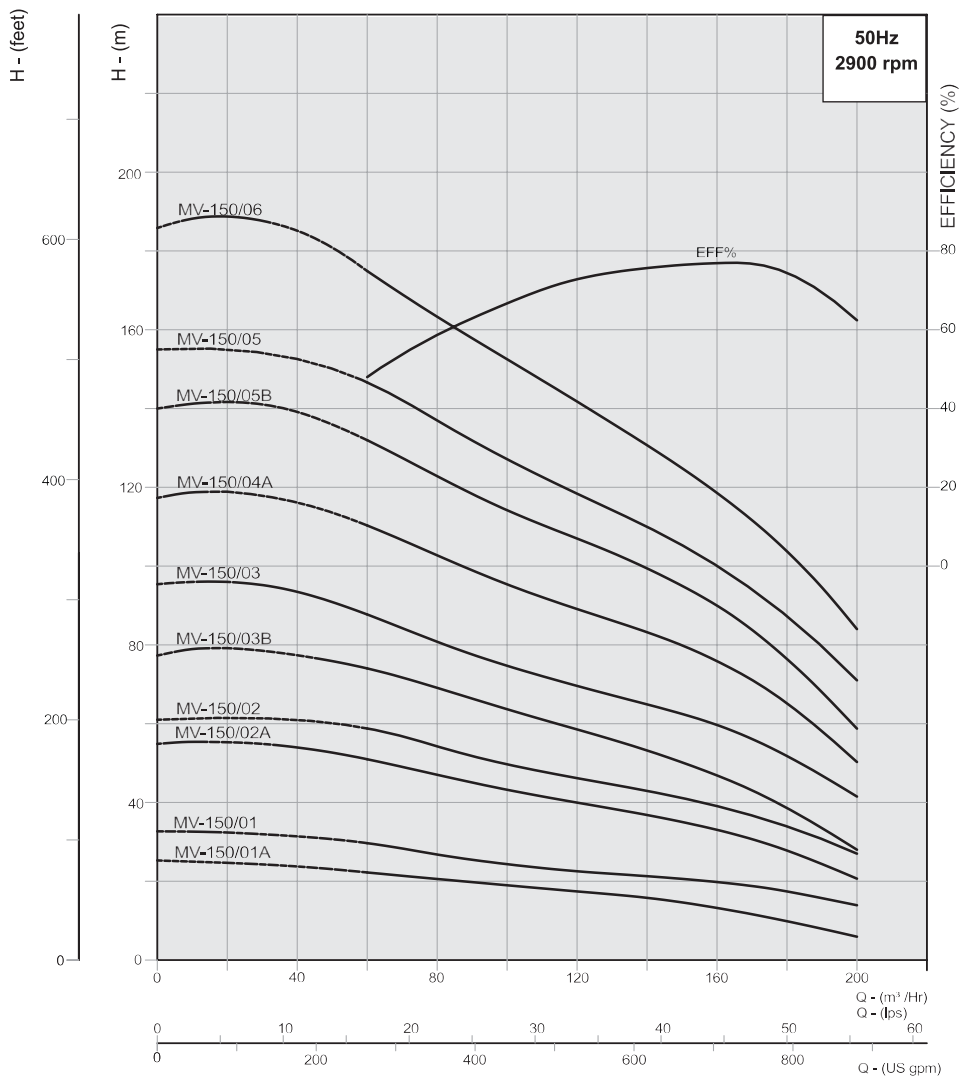


In view of the continuous developments the information / Descriptions / Specifications / illustrations are subject to change without notice.

NOMINAL FLOW : 150m<sup>3</sup>/h

PERFORMANCE CURVES

MV-150



PERFORMANCE TABLE

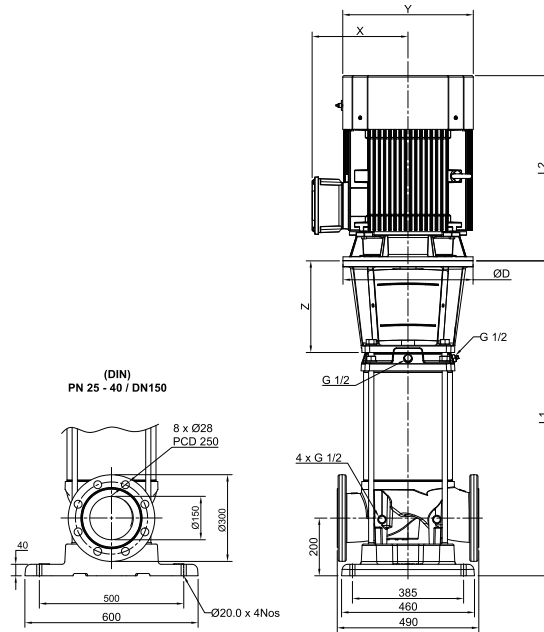
PIPE SIZE : MVC/S/N - DN125

PUMP MODEL	POWER		DISCHARGE										
	kW	HP	lps	0	6.93	13.85	16.62	20.78	27.70	34.63	41.55	48.48	55.40
HEAD (m)			m <sup>3</sup> /h	0	25	50	60	75	100	125	150	175	200
MV-150/01AT	11	15	25	24.5	23	22.5	21	19	17.5	15	11	6.5	
MV-150/01T	15	20	32.5	32	30.5	29.5	28	25	23	21	18	14.5	
MV-150/02AT	22	30	54.5	55	52	50.5	48	43.5	39.5	35.5	29.5	20.5	
MV-150/02T	30	40	61	61	60	58.5	55.5	49.5	45.5	41	35.5	27.0	
MV-150/03BT	30	40	77	78.5	75.5	73.5	70	64	57	50	41	28	
MV-150/03T	37	50	95	95.5	90.5	87.5	82.5	74	68	62	53.5	41	
MV-150/04AT	45	60	117	119	113	109.5	104.5	95.5	87.5	79.5	68.5	50	
MV-150/05BT	55	75	140	141	136	132	125	114	105	94.5	80	58	
MV-150/05T	75	100	155	154	150	146.5	139.5	127	116	105	90.5	71	
MV-150/06T	75	100	185	189	180	175	166	152.5	139	125	107.5	83.5	

Performance curve tolerances are as per HI : 14.6 / ISO: 9906, Grade 3B  
 In view of the continuous developments the information / Descriptions / Specifications / illustrations are subject to change without notice.

GENERAL ARRANGEMENT DRAWING, DIMENSION & WEIGHT DATA

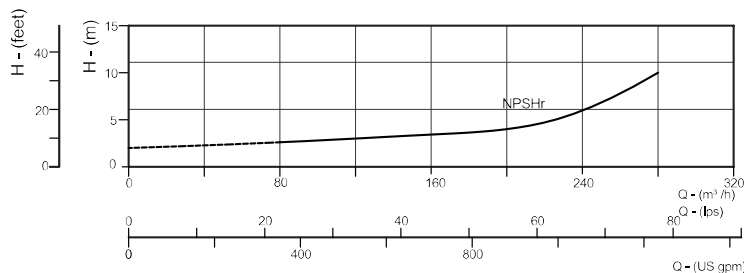
MV-200



PUMP MODEL	POWER		DIMENSIONS (mm)						NET WEIGHT (kg)		MOTOR FRAME SIZE
			L1	L2	X	Y	Z	ØD	PUMP		
MVC (R) / MVS & N (R)	MOTOR										
MV-200/01AT	15	20	912	495	223	314	320	350	173	131	160M
MV-200/01T	18.5	25	912	495	223	314	320	350	173	151	160L
MV-200/02AT	30	40	1091	630	271	Sq 340	320	400	191	242	200L
MV-200/02BT	37	50	1091	650	276	395	320	450	191	258	200L
MV-200/02T	45	60	1091	695	297	435	320	550	191	320	225M
MV-200/03AT	55	75	1270	763	367	484	325	550	219	370	250M
MV-200/03BT	55	75	1270	763	367	484	325	550	219	370	250M
MV-200/03T	75	100	1270	835	402	547	325	550	219	510	280S
MV-200/04AT	75	100	1448	835	402	547	325	550	244	510	280S
MV-200/04BT	75	100	1448	835	402	547	325	550	244	510	280S
MV-200/04T	75	100	1448	835	402	547	325	550	244	510	280S
MV-200/05AT	90	120	1626	1040	426	543	325	550	275	592	280M
MV-200/05BT	90	120	1626	1040	426	543	325	550	275	592	280M
MV-200/05T	90	120	1626	1040	426	543	325	550	275	592	280M
MV-200/06AT	110	150	1805	1155	460	621	325	550	311	750	315S
MV-200/06BT	110	150	1805	1155	460	621	325	550	311	750	315S
MV-200/06T	110	150	1805	1155	460	621	325	550	311	750	315S

(R) - Round Flange  
 Note : Flange mounted motor (B5) - Above 9.3 kW

NPSHR CURVE



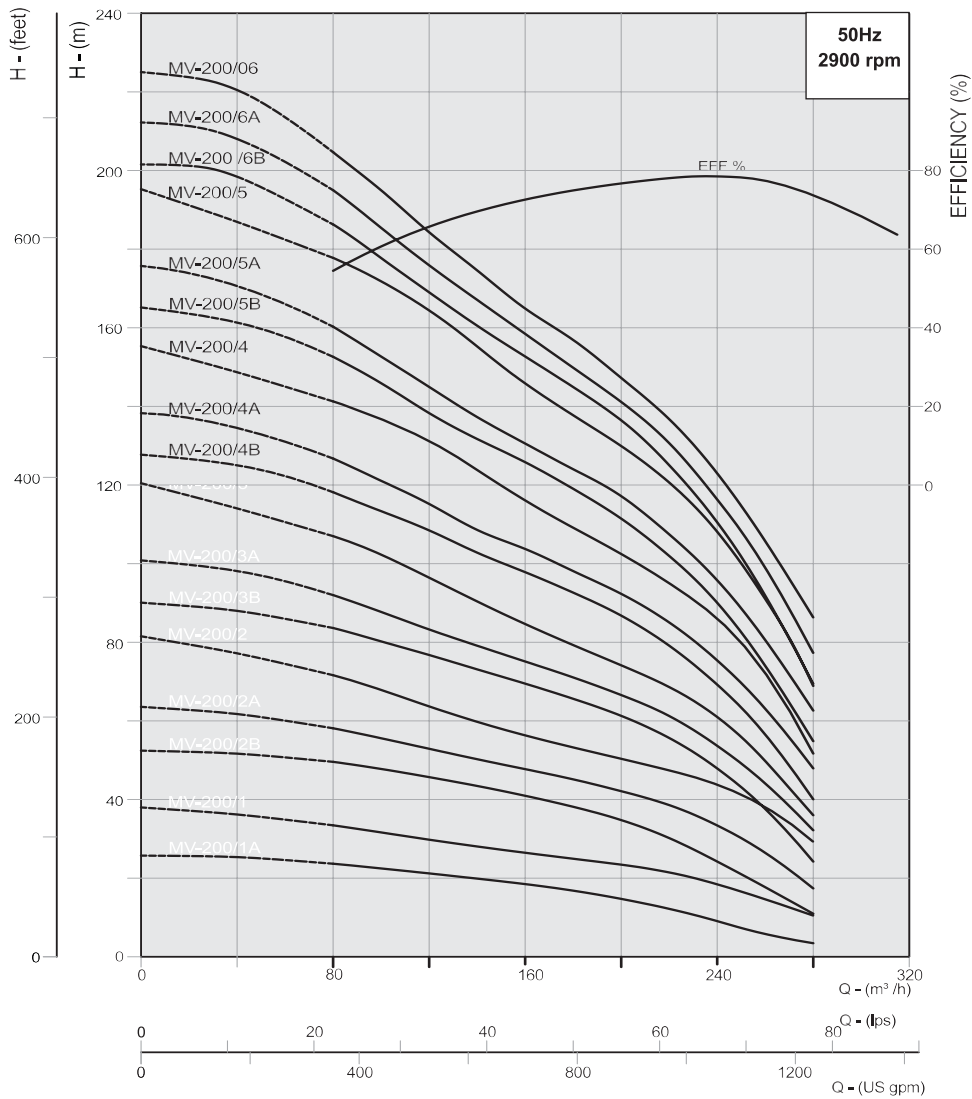
In view of the continuous developments the information / Descriptions / Specifications / illustrations are subject to change without notice.



NOMINAL FLOW : 200m<sup>3</sup>/h

PERFORMANCE CURVES

MV-200



PERFORMANCE TABLE

PIPE SIZE : MVC/S/N - DN150

PUMP MODEL	POWER		DISCHARGE								
	kW	HP	lps	0	11.08	22.16	33.24	44.32	55.40	66.48	77.56
HEAD (m)			m <sup>3</sup> /h	0	40	80	120	160	200	240	280
MVC/MVS/MVN											
MV-200/01AT	15	20		25	24.5	23.5	21	18	14	9	3
MV-200/01T	18.5	25		37.5	36	33	29.5	26	23	18	10
MV-200/02AT	37	50		63.5	61.5	57.5	52.5	47.5	42	33	17
MV-200/02BT	30	40		52	51.5	49	45.5	41	34	24	10.5
MV-200/02T	45	60		81	77	71.5	63.5	56	50	43	29
MV-200/03AT	55	75		100.5	98.5	91	83	75	66	53.5	32
MV-200/03BT	55	75		90	88	83	76.5	69.5	61	47.5	24
MV-200/03T	75	100		120	115	106	95.5	85.5	74.5	60	36
MV-200/04AT	75	100		138	135	126	115	104	92	75	47.5
MV-200/04BT	75	100		127.5	125	117.5	108	98	86	69	40
MV-200/04T	75	100		155	149	141.5	130.5	116.5	102	85	51.5
MV-200/05AT	90	120		175.5	171	159	145	131	116	95.5	62
MV-200/05BT	90	120		165	163	151	138.5	125.5	111	89.5	54
MV-200/05T	90	120		195	189	176.5	162.5	147.5	130	106.5	69.5
MV-200/06AT	110	150		212	210	194	176.5	159	140	116	77
MV-200/06BT	110	150		201.5	199	185.5	169.5	153	135	110.5	68
MV-200/06T	110	150		225	220	204	184.5	165.5	146	122.5	86

Performance curve tolerances are as per HI : 14.6 / ISO: 9906, Grade 3B

In view of the continuous developments the information / Descriptions / Specifications / illustrations are subject to change without notice.

## MULTI STAGE HORIZONTAL INLINE PUMPS - MH SERIES

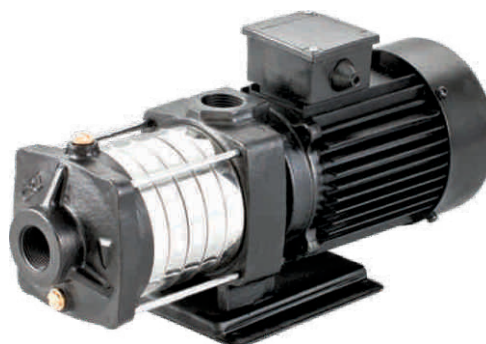
MH series pumps are single or multistage end suction and top discharge type supplied with radial flow impeller for higher head and flow requirement. These pumps are of centrifugal monoblock type equipped with totally enclosed single phase or three phase standard or premium efficiency motors for continuous duty. In addition to the standard design, the pumps are available in fully stainless steel construction for hygiene applications. All single phase pumps are thermally protected.

### DESIGN FEATURE :

- High efficiency
- Wide hydraulic ranges
- Stainless steel wetted parts
- Thermal protection in single phase motor
- Optional premium efficiency motors in three phase design

### APPLICATION :

- Utility water supply in residences and commercial buildings
- Pressure Boosting system
- RO System
- High pressure application in industries
- Jockey application in firefighting system
- Industrial washing and cleaning system
- Landscaping and gardening



### PERFORMANCE CURVE CONDITIONS

- Curve tolerance are according to ISO 9906, Grade 2B.
- The performance are taken at rated voltage & speed that are only indicative.
- Actual discharge depends on availability of water in well / tank, height of water column from the suction pipe.
- The measurements were made with airless water at 20°C. When pumping liquids with a density higher than of water, motor with correspondingly higher output must be used.
- The bold curves indicate the recommended performance range.
- Pipe fiction losses have not been included in the performance curves & performance tables.

### MATERIAL OF CONSTRUCTION

PART NAME	MHC/MHS	MHL	MHN
Impeller	SS304	CF8	SS316
Diffuser	SS304	CF8	SS316
Bracket	Cast Iron	CF8	CF8M
Motor Frame	Aluminium	Aluminium	Aluminium
Shaft	SS431	SS431	SS329
Shaft Seal & Face Combination	Mechanical seal - (Silicon Carbide Vs Carbon / EPDM)	Mechanical seal - (Silicon Carbide Vs Carbon / EPDM)	Mechanical seal - (Silicon Carbide Vs Carbon / EPDM)
Base Plate	Mild Steel	Mild Steel	Mild Steel

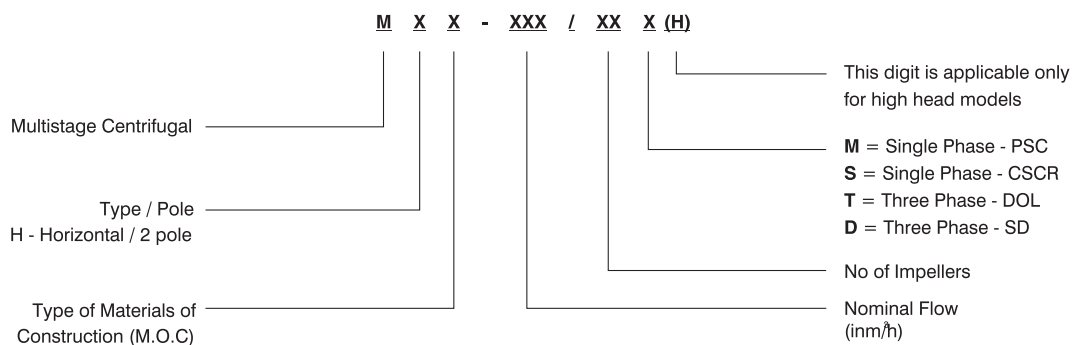
In view of the continuous developments the information / Descriptions / Specifications / illustrations are subject to change without notice.

**OPERATING DATA - PUMP**

Flow	Upto 14m <sup>3</sup> /h
Head	Upto 60m
Power Range	0.37 - 3kW
Speed	2900rpm
Inlet size	25 - 40mm
Outlet size	25 - 40mm
Liquid Temperature	-10°C to 70°C
Shaft seal	Mechanical seal
Impeller Type	Enclosed Radial Flow
Maximum Working Pressure	Upto 6bar

**MOTOR SPECIFICATIONS**

Power Range(kW)	0.37 - 3kW - Single Phase
	0.37 - 3kW - Three Phase
Voltage / Frequency	Single phase - 220-230V, 50Hz, A.C. Supply
	Three phase - 380-415V, 50Hz A.C. supply
Connection	Single phase, CSR - 0.37 & 1.1kW
	CSCR - 1.5 & 2.2kW
	Three Phase - DOL
Speed	2900 rpm
Duty	S1 Continuous
Degree of Protection	IP 55
Class of Insulation	F
IEC Efficiency Class - (Three Phase)	IE1 - Standard
	IE2 - Optional
Maximum Ambient Temp.	40°C

**MODEL IDENTIFICATION CODE****Impeller / Diffuser / Pump Casing & Bracket / Pump Base**

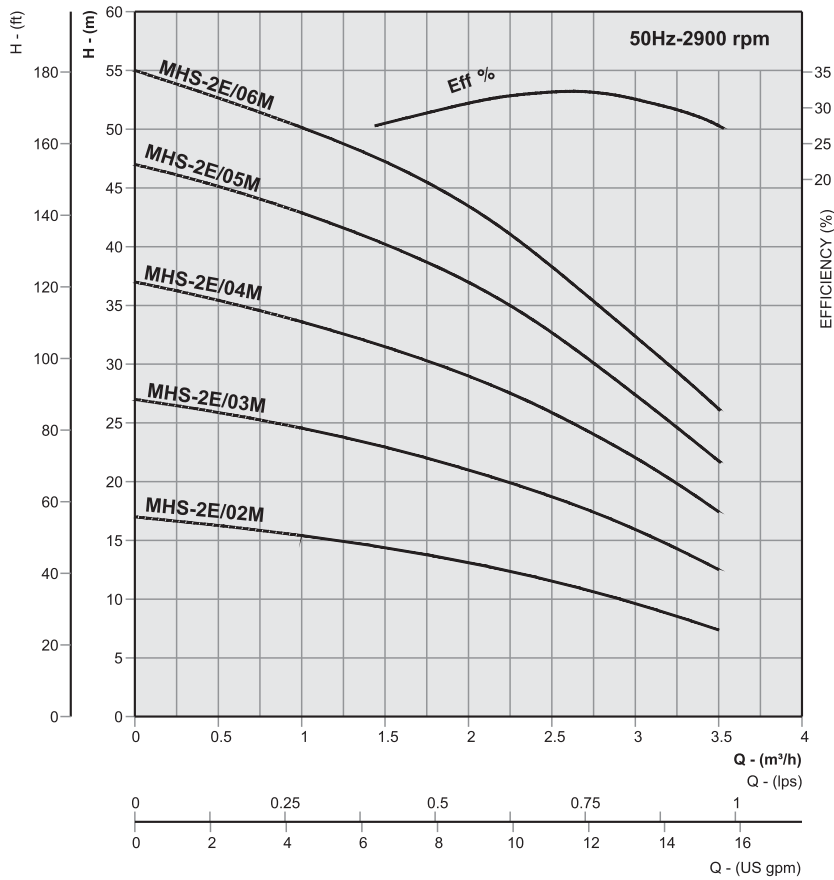
- S** = SS 304 / SS 304 / Cast Iron / M.S  
**T** = SS 304 / SS 304 / Cast Iron / M.S (Tube type)  
**L** = SS 304 / SS 304 / Cast Steel 304 / M.S  
**N** = SS 316 / SS 316 / Cast Steel 316 / M.S  
**P** = Noryl / Noryl / Cast Iron / M.S  
**B** = SS 304 / Noryl / Cast Iron / M.S

Note : To include decimal values in the nominal flow from 0.1 to 0.8 alphabets A to H are used.

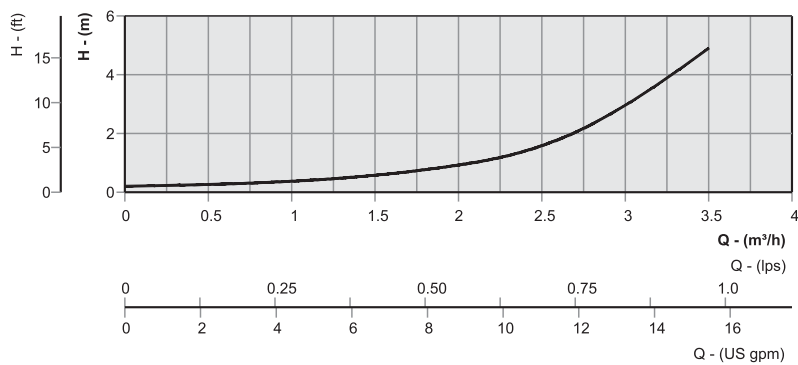
In view of the continuous developments the information / Descriptions / Specifications / illustrations are subject to change without notice.

## PERFORMANCE CURVES & TABLES

### MHS - 2.5



### NPSH CURVE



MHS : 2.5

NOMINAL FLOW : 2.5 m³/h

NOMINAL PUMP SIZE : 1" x 1"

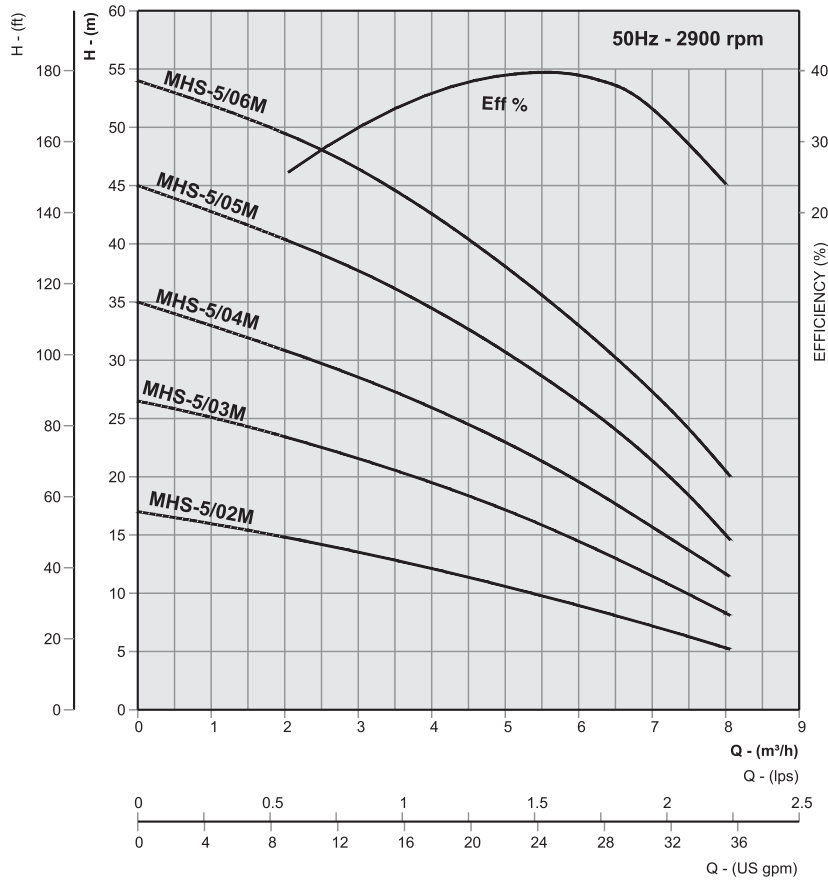
Model	Input Power P1		Output Power P2		l/s	0	0.27	0.41	0.55	0.69	0.83	0.97
	HP	kW	HP	kW								
MHS-2E/02M	0.53	0.4	0.3	0.22	HEAD (m)	0	1	1.5	2	2.5	3	3.5
MHS-2E/03M	0.61	0.46	0.4	0.3		17	16	14	13	12	9	7.5
MHS-2E/04M	0.8	0.6	0.5	0.37		27	24	23	21	18.5	16	12.5
MHS-2E/05M	0.93	0.7	0.6	0.45		37	33	32	29	26	22	17.5
MHS-2E/06M	1.23	0.92	0.75	0.55		47	43	40	37	33	27.5	22
						55	50	47.5	43.5	38.5	32.5	26.5

Performance curve tolerances are as per HI : 14.6 / ISO: 9906, Grade 3B

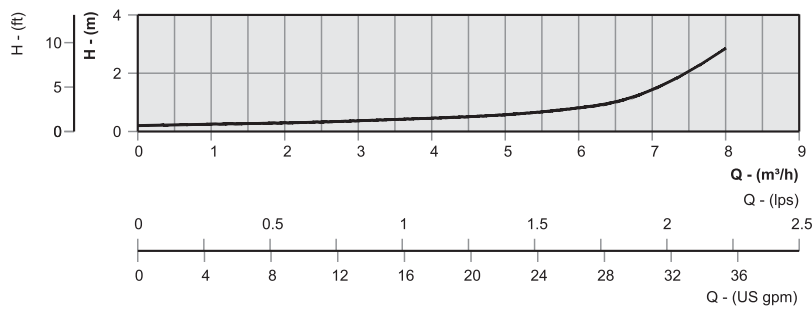
In view of the continuous developments the information / Descriptions / Specifications / illustrations are subject to change without notice.

# PERFORMANCE CURVES & TABLES

## MHS - 5



### NPSH CURVE



MHS : 5

NOMINAL FLOW : 5 m³/h

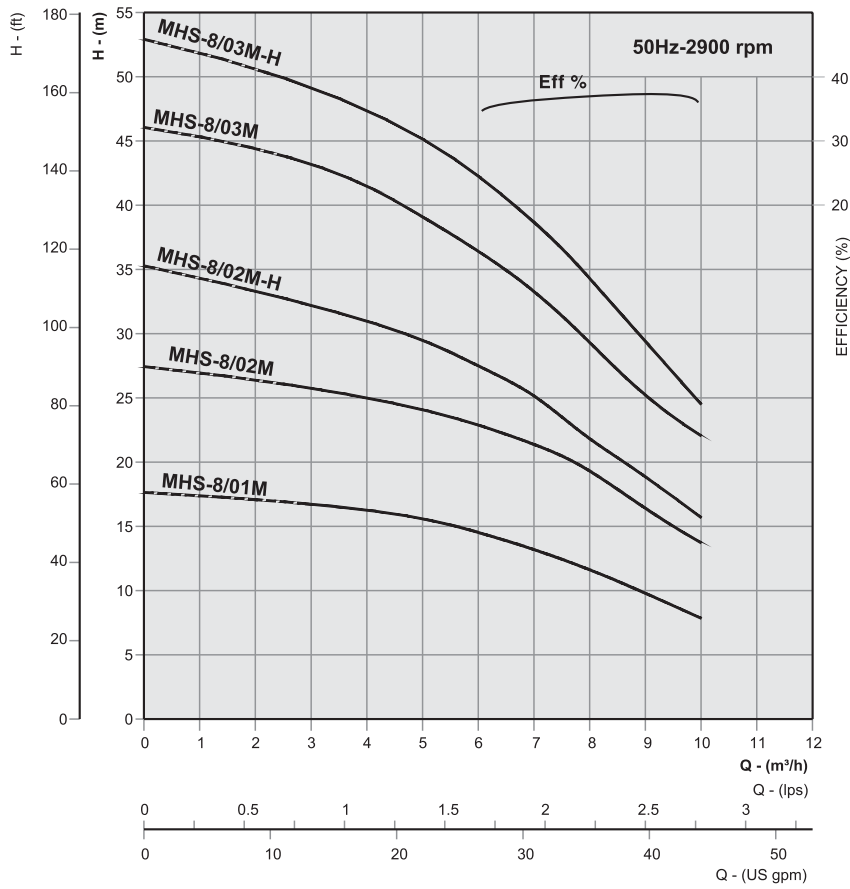
NOMINAL PUMP SIZE : 1" x 1"

Model	Input Power P1		Output Power P2		l/s m³/h	0	0.55 2	0.83 3	1.11 4	1.38 5	1.66 6	1.94 7	2.22 8
	HP	kW	HP	kW									
MHS-5/02M	0.71	0.53	0.4	0.3	HEAD (m)	17	15	13.5	12.5	11	8	7	5
MHS-5/03M	1	0.75	0.5	0.37		26.5	23	22	19.5	17	13	12	8
MHS-5/04M	1.23	0.92	0.75	0.55		35	31	28.5	26	23	18	16	12
MHS-5/05M	1.6	1.2	1	0.75		45	40	38	34	31	24	22	15
MHS-5/06M	1.82	1.36	1.5	1.1		54	49.5	47	43	38	30	22	20

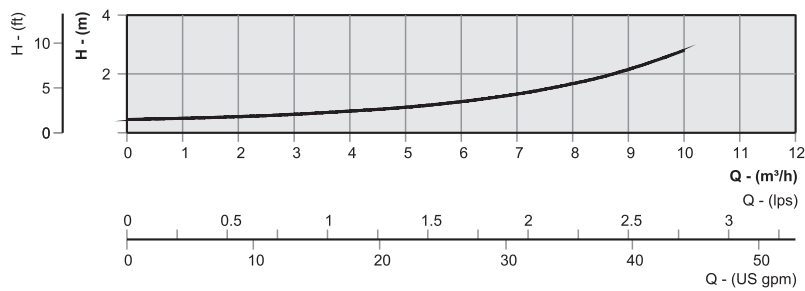
Performance curve tolerances are as per HI : 14.6 / ISO: 9906, Grade 3B  
 In view of the continuous developments the information / Descriptions / Specifications / illustrations are subject to change without notice.

## PERFORMANCE CURVES & TABLES

### MHS - 8



### NPSH CURVE



MHS : 8

NOMINAL FLOW : 8 m³/h

NOMINAL PUMP SIZE : 1½" X 1¼"

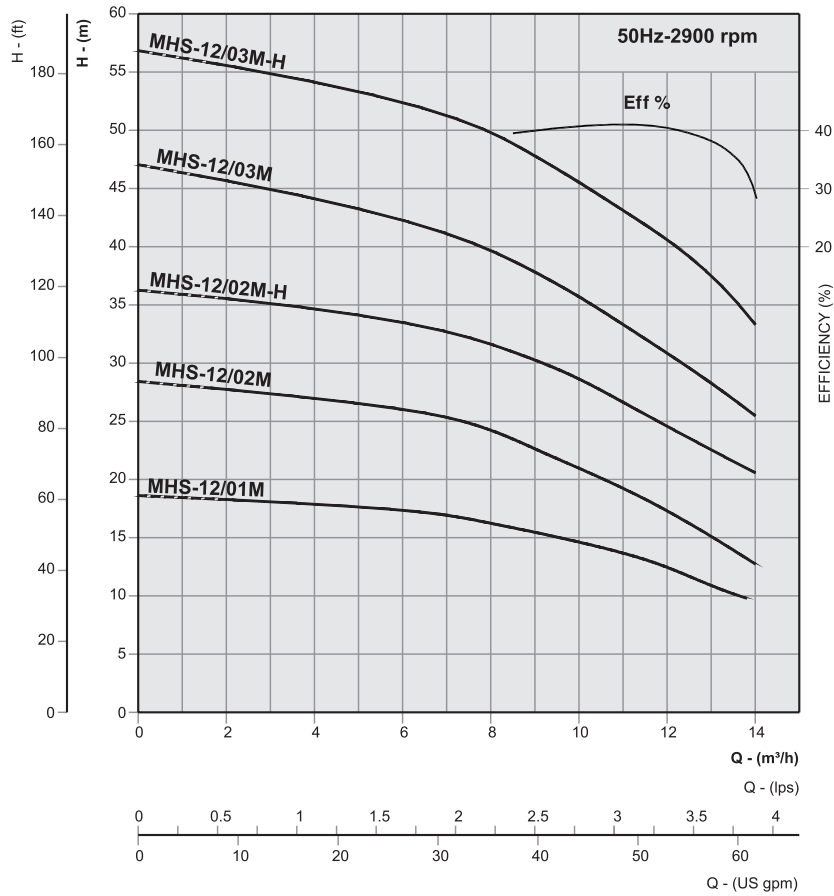
Model	Input Power P1		Output Power P2		l/s m³/h	0	0.83	1.11	1.38	1.66	1.94	2.22	2.5	2.77
	HP	kW	HP	kW										
MHS-8/01M	1	0.75	0.5	0.37	HEAD (m)	0	3	4	5	6	7	8	9	10
MHS-8/02M	1.7	1.3	1	0.75		17.5	17	16.5	16	14	13	12	10	8
MHS-8/02M-H	2	1.5	1.25	0.93		27.5	26	26	24	23	22	19	17	13.5
MHS-8/03M	2.4	1.8	1.5	1.1		35	32	31	29	27.5	25	22	18.5	16
MHS-8/03M-H	3	2.2	2	1.5		46	43	42	39	37	33	29	25	22.5
						53	49	47.5	45	42.5	33.5	34	29	24.5

Performance curve tolerances are as per HI : 14.6 / ISO: 9906, Grade 3B

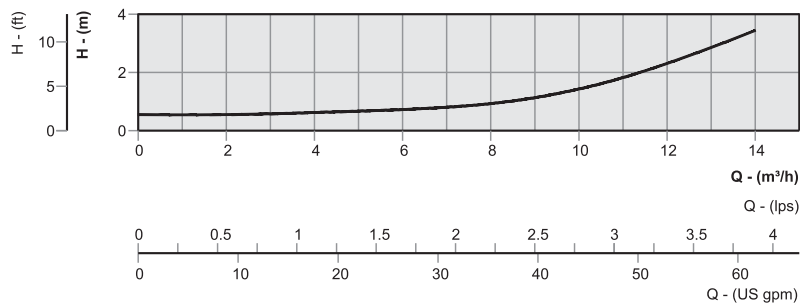
In view of the continuous developments the information / Descriptions / Specifications / illustrations are subject to change without notice.

## PERFORMANCE CURVES & TABLES

### MHS - 12



### NPSH CURVE



MHS : 12

NOMINAL FLOW : 12 m³/h

NOMINAL PUMP SIZE : 1½" X 1½"

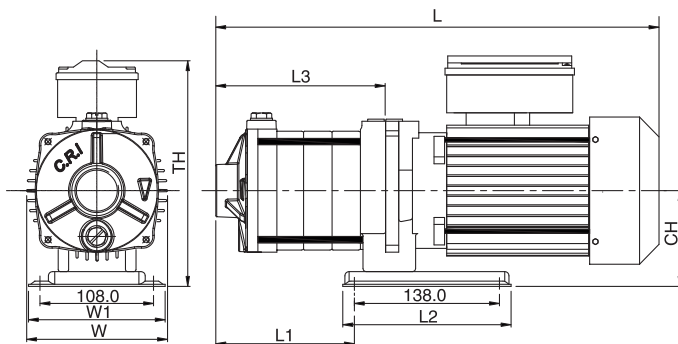
Model	Input Power P1		Output Power P2		l/s	0	0.55	1.11	1.66	2.22	2.77	3.38	3.88
	HP	kW	HP	kW									
MHS-12/01M	1.5	1.1	0.75	0.55	HEAD (m)	0	2	4	6	8	10	12	14
MHS-12/02M	2.1	1.6	1	0.75		18.5	18.2	18	17.5	16.5	14.5	12.5	10 (13.8)
MHS-12/02M-H	3	2.2	1.5	1.1		28.5	17.5	27	26	24	21	17.5	13
MHS-12/03M	3.5	2.6	2	1.5		36	35.5	34.5	33.5	32	28.5	24.5	21
MHS-12/03M-H	4.4	3.3	3	2.2		47	46	44	42.5	44.5	36	31	26
						57	56	54	52.5	50	46	41	33.5

Performance curve tolerances are as per HI : 14.6 / ISO: 9906, Grade 3B

In view of the continuous developments the information / Descriptions / Specifications / illustrations are subject to change without notice.

GENERAL ARRANGEMENT DRAWING, DIMENSION & WEIGHT DATA

MHS - 2.5 & 5

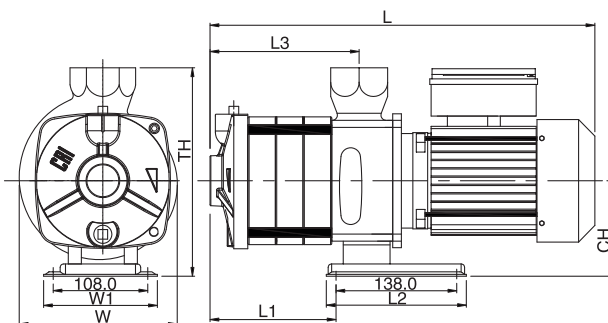


DIMENSION & WEIGHT DATA

Model	L		L1	L2	L3	W	W1	TH	CH	Weight (kg)
	1Ph	3Ph								
MHS-2E/02M	320	320	70	160	99	134	130	215	90	12
MHS-2E/03M	338	343	89	160	118	134	130	215	90	13
MHS-2E/04M	362	362	108	160	137	134	130	215	90	14
MHS-2E/05M	390	400	127	160	156	134	130	215	90	15
MHS-2E/06M	409	419	146	160	175	134	130	215	90	16

Model	L		L1	L2	L3	W	W1	TH	CH	Weight (kg)
	1Ph	3Ph								
MHS-5/02M	329	333	79	160	108	134	130	215	90	12
MHS-5/03M	371	381	107	160	135	134	130	215	90	14
MHS-5/04M	414	424	135	160	162	134	130	215	90	15
MHS-5/05M	461	471	163	160	190	134	130	215	90	18
MHS-5/06M	514	514	191	160	217	134	130	215	90	20

MHS - 8 & 12



DIMENSION & WEIGHT DATA

Model	L		L1	L2	L3	W	W1	TH	CH	Weight (kg)
	1Ph	3Ph								
MHS-8/01M	339	339	52	160	72	181	130	238	109	16
MHS-8/02M	399	399	82	160	102.5	181	130	238	109	20
MHS-8/02M-H	414	414	82	160	102.5	181	130	238	109	20.5
MHS-8/03M	467	467	114	160	133	181	130	238	109	25
MHS-8/03M-H	460	460	114	160	133	181	130	238	109	28.5

Model	L		L1	L2	L3	W	W1	TH	CH	Weight (kg)
	1Ph	3Ph								
MHS-12/01M	349	349	52	160	72	181	130	238	109	18
MHS-12/02M	414	414	82	160	102.5	181	130	238	109	20.5
MHS-12/02M-H	430	430	82	160	102.5	181	130	238	109	28.5
MHS-12/03M	476	476	114	160	133	181	130	238	109	30.5
MHS-12/03M-H	496	496	114	160	133	181	130	238	109	34

\* All Dimensions are in mm.

In view of the continuous developments the information / Descriptions / Specifications / illustrations are subject to change without notice.



## CONVERSION TABLE

### FLOW RATE

litre per second l/s	litre per minute l/min	cubic meter per hour m <sup>3</sup> /h	cubic foot per hour ft <sup>3</sup> /h	cubic foot per minute ft <sup>3</sup> /min	Imp.gallon per minute Imp.gal./min	US gallon per minute US gal./min	US barrel per day Is barrel/d (Petroleum)
1	60	3.6	127.133	2.1189	13.2	15.85	543.439
0.017	1	0.06	2.1189	0.0353	0.22	0.264	9.057
0.278	16.667	1	35.3147	0.5886	3.666	4.403	150.955
0.008	0.472	0.0283	1	0.0167	0.104	0.125	4.275
0.472	28.317	1.6990	60	1	6.229	7.480	256.475
0.076	4.546	0.2728	9.6326	0.1605	1	1.201	41.175
0.063	3.785	0.2271	8.0209	0.1337	0.833	1	34.286
0.002	0.110	0.0066	0.2339	0.0039	0.024	0.029	1

### LIQUID

Cubic meter m <sup>3</sup>	litre l	Milli litre ml	Imp. gallon Imp. Gal	US gallon US gal	cubic foot ft <sup>3</sup>
1	1000	1 x 10 <sup>6</sup>	220	264.2	35.3147
0.001	1	1000	0.22	0.2642	0.0353
1 x 10 <sup>-5</sup>	0.001	1	2.2 X 10 <sup>-4</sup>	2.642 x 10 <sup>-4</sup>	3.53 x 10 <sup>-5</sup>
0.00455	4.546	4546	1	1.201	0.1605
0.00378	3.785	3785	0.8327	1	0.1337
0.0283	28.317	28317	6.2288	7.4805	1

### LIQUID HEAD AND PRESSURE

newton per square meter N/m <sup>2</sup> (Pa)	kilo pascal kPa	bar	kilogram force per square centimeter Kgf/cm <sup>2</sup>	pound force per square inch psi	foot for water ft H <sub>2</sub> O	meter of water m H <sub>2</sub> O	millimeter of mercury mm Hg	inch of mercury in Hg
1	0.001	1 x 10 <sup>-5</sup>	1.02 x 10 <sup>-5</sup>	1.45 x 10 <sup>-4</sup>	3.35 x 10 <sup>-4</sup>	1.02 x 10 <sup>-4</sup>	0.0075	2.95 x 10 <sup>-4</sup>
1000	1	0.01	0.0102	0.145	0.335	0.102	7.5	0.295
1 x 10 <sup>-5</sup>	100	1	1.02	14.5	33.52	10.2	750.1	29.53
98,067	98.07	0.981	1	14.22	32.81	10	735.6	28.96
6895	6.895	0.069	0.0703	1	2.31	0.703	51.72	2.036
2984	2.984	0.03	0.0305	0.433	1	0.305	22.42	0.882
9789	9.789	0.098	0.1	1.42	3.28	1	73.42	2.891
133.3	0.133	0.0013	0.0014	0.019	0.045	0.014	1	0.039
3386	3.386	0.0338	0.0345	0.491	1.133	0.0345	25.4	1

### LENGTH

millimeter mm	centimeter cm	meter m	inch in	feet ft	yard yd
1	0.1	0.001	0.0394	0.0033	0.0011
10	1	0.01	0.3937	0.0328	0.0109
1000	100	1	39.3701	3.2808	1.0936
25.4	2.54	0.0254	1	0.0833	0.0278
304.8	30.48	0.3048	12	1	0.3333
914.4	91.44	0.9144	36	3	1

1 Kilometer = 1000 metres = 0.62137 miles 1 mile = 1609.37 metres = 1.60934 kilometers

### MASS

kilogram kg	pound lb	hundred weight (cwt)	tonne t	ton long tn	short ton sh tn
1	2.205	0.0197	0.001	9.84 x 10 <sup>-4</sup>	0.0011
0.454	1	0.0089	4.54 x 10 <sup>-4</sup>	4.46 x 10 <sup>-4</sup>	5.0 x 10 <sup>-4</sup>
50.802	112	1	0.0508	0.05	0.056
1000	2204.6	19.684	1	0.9842	1.1023
1016	2240	20	1.0161	1	1.102
907.2	2000	17.857	0.9072	0.8929	1

### TEMPERATURE

To Convert From	To	Use Formula
Temperature Celsius, tc	Temperature Kelvin, tk	K = tc + 273.15
Temperature Fahrenheit, tf	Temperature Kelvin, tk	K = (tf + 459.67) / 1.8
Temperature Celsius, tc	Temperature Fahrenheit, tf	F = 1.8 tc + 32
Temperature Fahrenheit, tf	Temperature Celsius, tc	C = (tf - 32) / 1.8
Temperature Kelvin, tk	Temperature Celsius, tc	C = tk - 273.15
Temperature Kelvin, tk	Temperature Fahrenheit, tf	F = 1.8tk - 459.67



## W I N N I N G   W A Y S

When you have a good thing going it is quite in the fitting of things that recognitions come our way. Several prestigious awards, which decorate our shelf, say it all. These rewards not only acknowledge our position as a leader in the water pump industry but also serve as reminders about what the customer expects from a winner. And we, as ever, have our ears perfectly tuned to customer expectations.



## **C.R.I. PUMPS (PVT) LIMITED**

(International Division)

7/46-1, Keeranatham Road, Saravanampatty, Coimbatore - 641 035. India.

Phone : +91-422-7117310, 7117312, Fax : +91-422-7117300, e-mail : cri@crifluidsystems.com website : www.crifluidsystems.com

### **BOMBAS C.R.I. ESPAÑA, S.L.**

Poligono Industrail El.Bony Calle 31, No. 137, 46470  
Catarroja (Valencia) Spain.

Tel : +34-96 1842 974, Fax : +34-96 1842 977

E-mail : admin-es@crifluidsystems.com, www.crifluidsystems.com

### **C.R.I. BOMBAS HIDRÁULICAS LTDA**

Av. Rodrigo Fernando Grillo, 457, Jd. Manacas,  
CEP - 14.801-534, Araraquara - SP, **Brasil**.

Fone : +55-16-3331 1099, Fax : +55-16-3331 5344

e-mail : cri@cribombas.com.br website : www.cribombas.com.br

Filial : Jaboatão dos Guararapes-PE, Brasil

Fone : (81) 3093-9620, Fax : (81) 3093-9600

### **C.R.I. FLUID SYSTEMS MEXICO S.DE R.L. DE C.V**

Cuidad De Mexico

E-mail : sales.mx@crifluidsystems.com

website : www.crifluidsystems.com

### **C.R.I. PUMPS (Shanghai) Co., Ltd.**

Room 510, No 1855 Qixin Road, Minhang District,

**Shanghai** - 201101 China. Tel : +86-21-54405082, Fax : +86-21-54405083

e-mail : sales-chn@crifluidsystems.com web : www.crifluidsystems.com

### **C.R.I. FLUID SYSTEMS USA LLC.**

620 N Fairfield St, Amarillo, Texas 79107, **USA**.

Tel : 832-430-4660 E-mail : sales.us@crifluidsystems.com

Website : www.crifluidsystems.com

### **C.R.I. PUMPS S.A. (PTY) LIMITED**

Stand 63, Capital Hill Commercial Estate,

Cnr. K101 & Le Roux Avenue, Midrand -1685,

Johannesburg. South Africa. Phone : +27 11 8058631 /32,

E-mail : cri-za@crifluidsystems.com, Fax : +27-11-8058630

Web : www.crifluidsystems.com

### **C.R.I. PUMPS (FZC)**

P.O. Box : 7988 , L1-10, Sharjah Airport International Free Zone

(SAIF-Zone) **Sharjah**. United Arab Emirates (UAE),

Tel: +971-6-5573041, email: service-uae@crifluidsystems.com

web: www.crifluidsystems.com

### **C.R.I. FLUID SYSTEMS INC.,**

Polyland Industrial Subdivision, Warehouse #3, Block 4,

Kendex St., Bo. Iba, Meycauayan, Bulacan. **Philippines**. Zip-3017.

Phone : +63 44 762 8887 / +63 44 802 6199, Fax : +63 44 762 8888

E-mail : sales\_ph@crigroups.com

Website : www.crifluidsystems.com

## **PT. CRI FLUID SYSTEMS**

Boutique Office Jalan Kawasan Industri & Pergudangan Marunda Center Block C, No. 10, Kelurahan, Segaramakmur,

Kecamatan Tarumajaya Kabupaten, Bekasi, Jawa Barat, **Indonesia** -17211. Telepon : 021 88998118

E-mail : sales.id@crifluidsystems.com, Website : www.crifluidsystems.com